



IPC Integrated Professional Cleaning

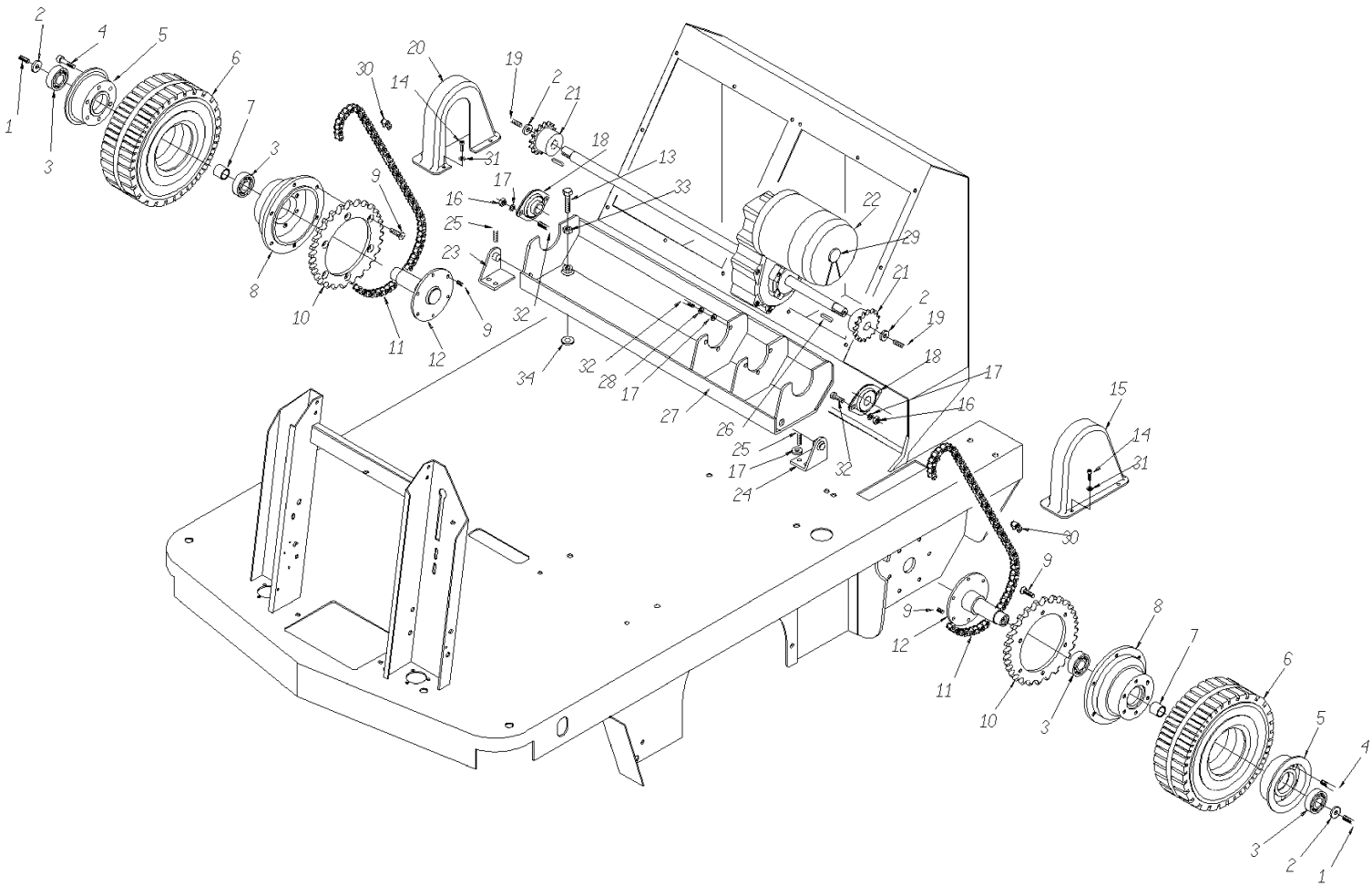
**IPC**Gansow

## **Spare Parts List**

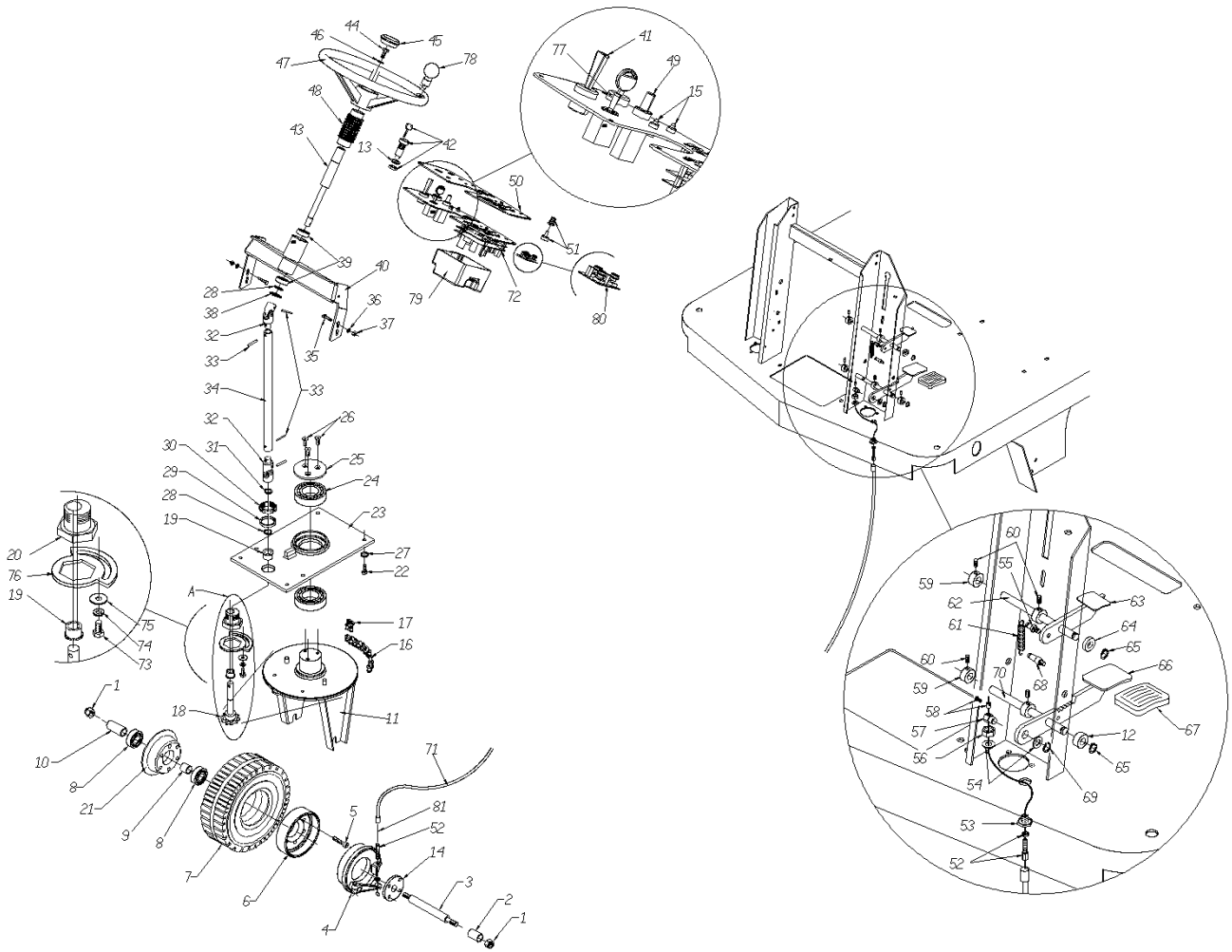
**TAVERNARO AG**

**Ref: MSUB00267**

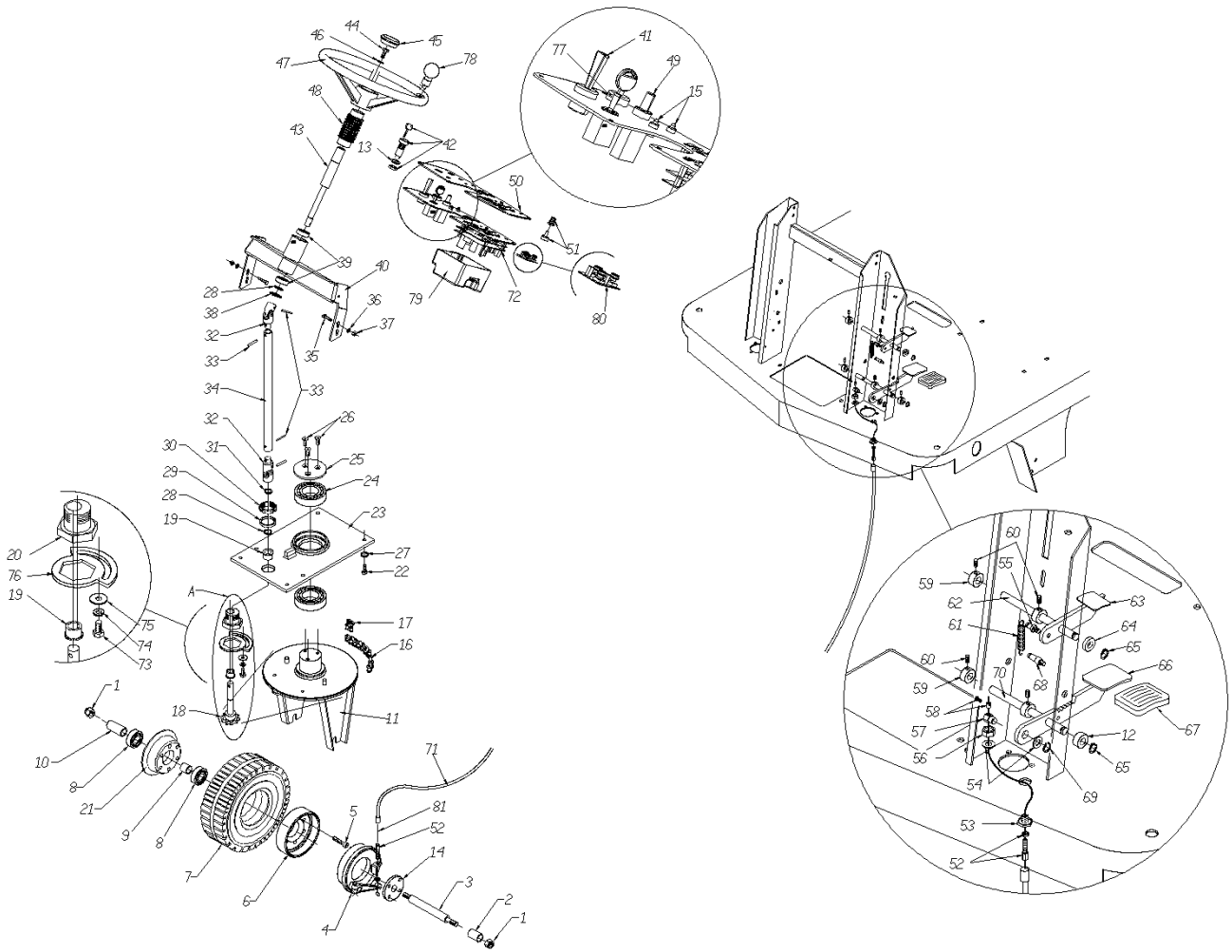
**Model: Spazzatrice G 1404 DP gri/gri 2SP IPC**



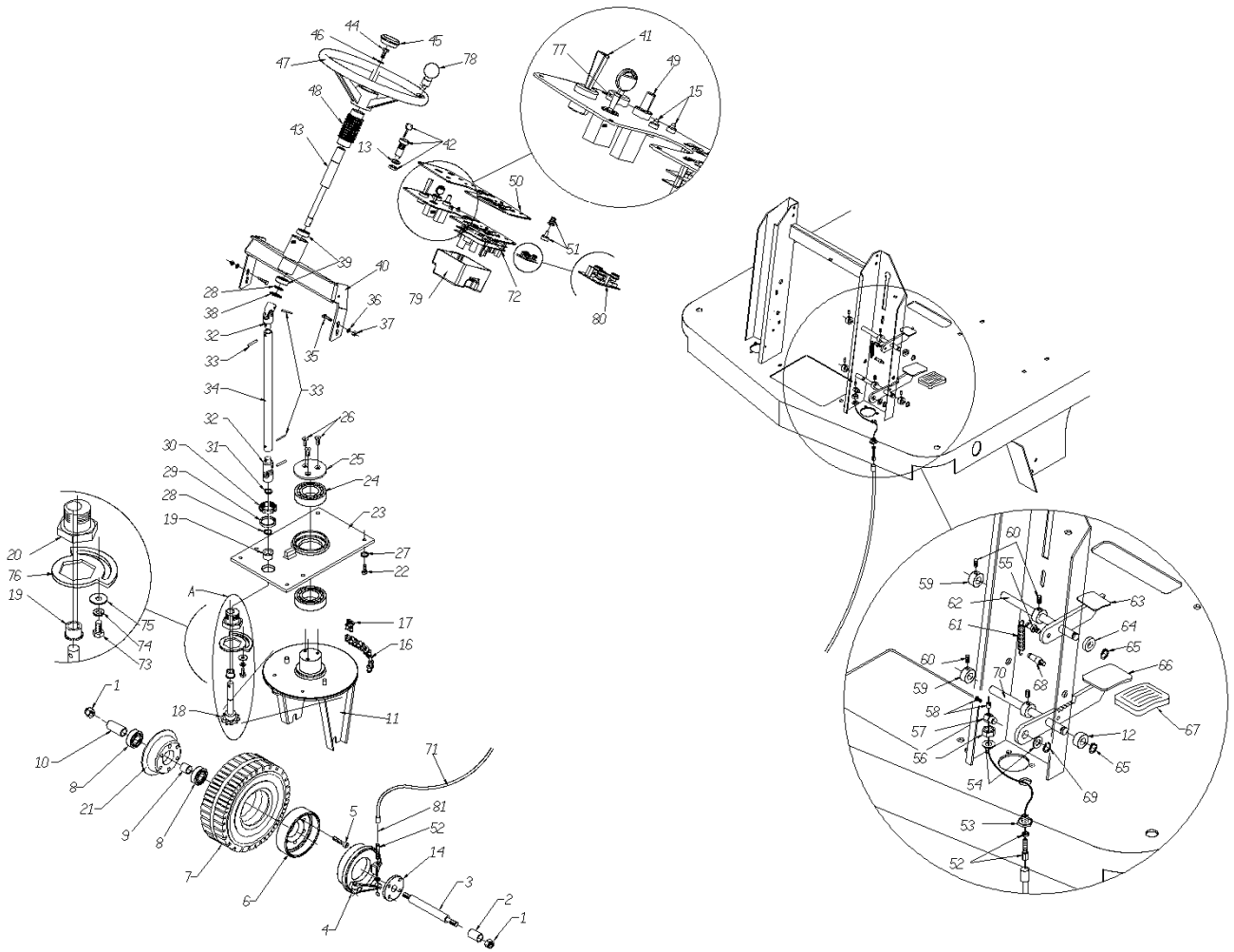
Ref.	K	Part N.	Customer Part N.	Description	Qty	Validity:		Price
						From	To	
0001		VTVT87271		SCREW TBEI M 8X 16 ISO 7380	2,00			--
0002		VTRS00513		WASHER D. 8 X32 P.	4,00			--
0003		CUVR08998		BALL BEARING 6204 2RS1	4,00			--
0004		VTVT01119		SCREW TCEI 8X20 UNI5931	12,00			--
0005		LAFN45083		HUB TK1400 AN/PST.	2,00			--
0006		RTRT45132		WHEEL D.306 4.00-4 S.EL.	2,00			--
0007		LAFN45336		SPACER D. 20-24 L=22	2,00			--
0008		LAFN45084		HUB TK1400 PST.	2,00			--
0009		VTVT01534		SCREW TSPEI 8X30 UNI5933	18,00			--
0010		MTCR45337		TOOTHED WHEEL Z. 45 P 1/2"	2,00			--
0011		MTCR45085		CHAIN 1/2 TK1400 TRZ.	2,00			--
0012		LAFN45086		WHEEL SUPPORT TK1400 PST.	2,00			--
0013		VTVT01536		SCREW TE 10X45 UNI5739	2,00			--
0014		VTVT75726		SCREW TBEI M 6X 16 ISO 7380 ZB	4,00			--
0015		MPVR45338		CRANKCASE L.14 SX	1,00			--
0016		VTDD00124		NUT M 8 BASSO	4,00			--
0017		VTRS00504		WASHER D. 8 TE ZC. UNI 6592	14,00			--
0018		LAFN87166		SUPPORT	2,00			--
0019		VTVT87271		SCREW TBEI M 8X 16 ISO 7380	2,00			--
0020		MPVR45396		CRANKCASE L.14 DX	1,00			--
0021		MTCR45897		PINION Z.12 P 1/2	2,00			--
0022		RDGR45088		MOTOR.GEARBOX DV 1400 24V	1,00			--
0023		LAFN45397		SUPPORT L.14 DX	1,00			--
0024		LAFN45398		SUPPORT L.14 SX	1,00			--
0025		VTVT00066		SCREW TCCE UNI 5931 8X25 ZB	4,00			--
0026		VTVR23472		KEY 6X6X25	2,00			--
0027		MPVR45399		SHAFT SUPPORT L.14	1,00			--
0028		VTRS01080		WASHER D. 8 GRW	6,00			--
0029		MECI00035		DASHBOARD DI TEMPERATURA F11-95 NC	1,00			--
0030		MTCR45401		WARP KNITTING 1/2	2,00			--
0031		VTRS00503		WASHER D. 6 TE UNI 6798	2,00			--
0032		VTVT29810		SCREW TCEI M 8X20 UNI 5931	10,00			--
0033		VTDD00484		NUT M10 ZIN UNI 5588	2,00			--
0034		LAFN47016		SPACER L.14	2,00			--



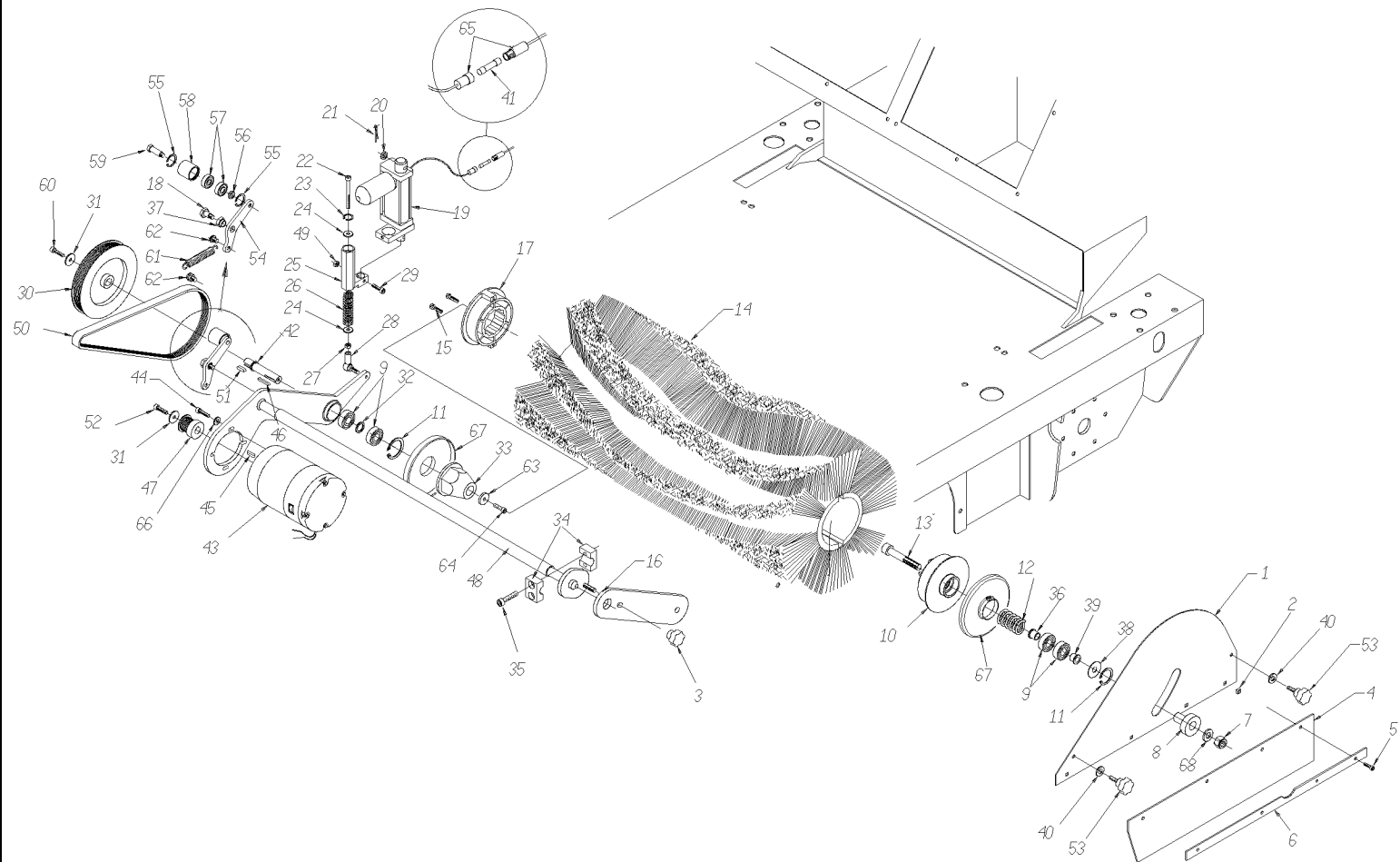
Ref.	K	Part N.	Customer Part N.	Description	Qty	Validity:		Price
						From	To	
0001		VTDD00012		NUT AUTOBLOK DIN 985 M12 ZB	2,00			--
0002		LAFN47017		SPACER D. 20-24 L=55	1,00			--
0003		LAFN45089		WHEEL PIN TK1400 ANT.	1,00			--
0004		RTRT45090		BLOCK BRAKE D.125 TK	1,00			--
0005		VTVT00066		SCREW TCCE UNI 5931 8X25 ZB	6,00			--
0006		LAFN45091		HUB TK1400 FRN.	1,00			--
0007		RTRT45132		WHEEL D.306 4.00-4 S.EL.	1,00			--
0008		CUVR08998		BALL BEARING 6204 2RS1	2,00			--
0009		LAFN45336		SPACER D. 20-24 L=22	1,00			--
000A		KTRI46514		PIN TK 1000 + BUSCH.	1,00			--
0010		LAFN47018		SPACER D. 20-24 L=35	1,00			--
0011		LAFN45092		WHEEL SUPPORT TK1400 ANT.	1,00			--
0012		LAFN47019		BUSHING L.14	1,00			--
0013		VTRS00023		WASHER DENTATA INT.UNI 6798 D.18	1,00			--
0014		LAFN45872		FLANGE L.14	1,00			--
0015		MEVR00141		OIL WARN-LIGHT LED OLIO,BENZINA TK1400	1,00			--
0016		MTCR45093		CHAIN 3/8 TK1400 STE.	1,00			--
0017		MTCR47037		WARP KNITTING 3/8	1,00			--
0018		LAFN75974		PIN TK 1000	1,00			--
0019		LAFN75841		BUSHING TK 1000	2,00			--
0020		LAFN75842		BUSHING TK 1000	1,00			--
0021		LAFN45083		HUB TK1400 AN/PST.	1,00			--
0022		VTVT00447		SCREW TE 8X25 UNI5739	6,00			--
0023		LAFN45094		FLANGE TK1400	1,00			--
0024		CUVR75816		BEARING 51112	2,00			--
0025		LAFN47004		FLANGE TK1400	1,00			--
0026		VTVT00014		SCREW TE UNI 5739 8X20 CL.10.9	3,00			--
0027		VTRS01080		WASHER D. 8 GRW	6,00			--
0028		LAFN47020		THICKNESS D.15X22X1.0	2,00			--
0029		LAFN75913		SPACER TK	1,00			--
0030		VTVR75747		RING NUT AUTOBLOK M 35 X 1,5 GUK	1,00			--
0031		VTAE17003		CIRCLIP D. 15 UNI 7435	1,00			--
0032		VTVR47021		ARTICULATION D. 5-15	2,00			--
0033		VTVR46987		ELASTIC PLUG 5X25 UNI 6873	4,00			--
0034		LAFN47022		LOW STEERING L.14	1,00			--
0035		VTVT62920		SCREW TE F/ROND. M 6X 16 ZB	4,00			--
0036		VTRS04026		WASHER D. 6X18X2.38	4,00			--
0037		VTDD00491		NUT M 6 TEF	4,00			--
0038		VTAE17003		CIRCLIP D. 15 UNI 7435	1,00			--



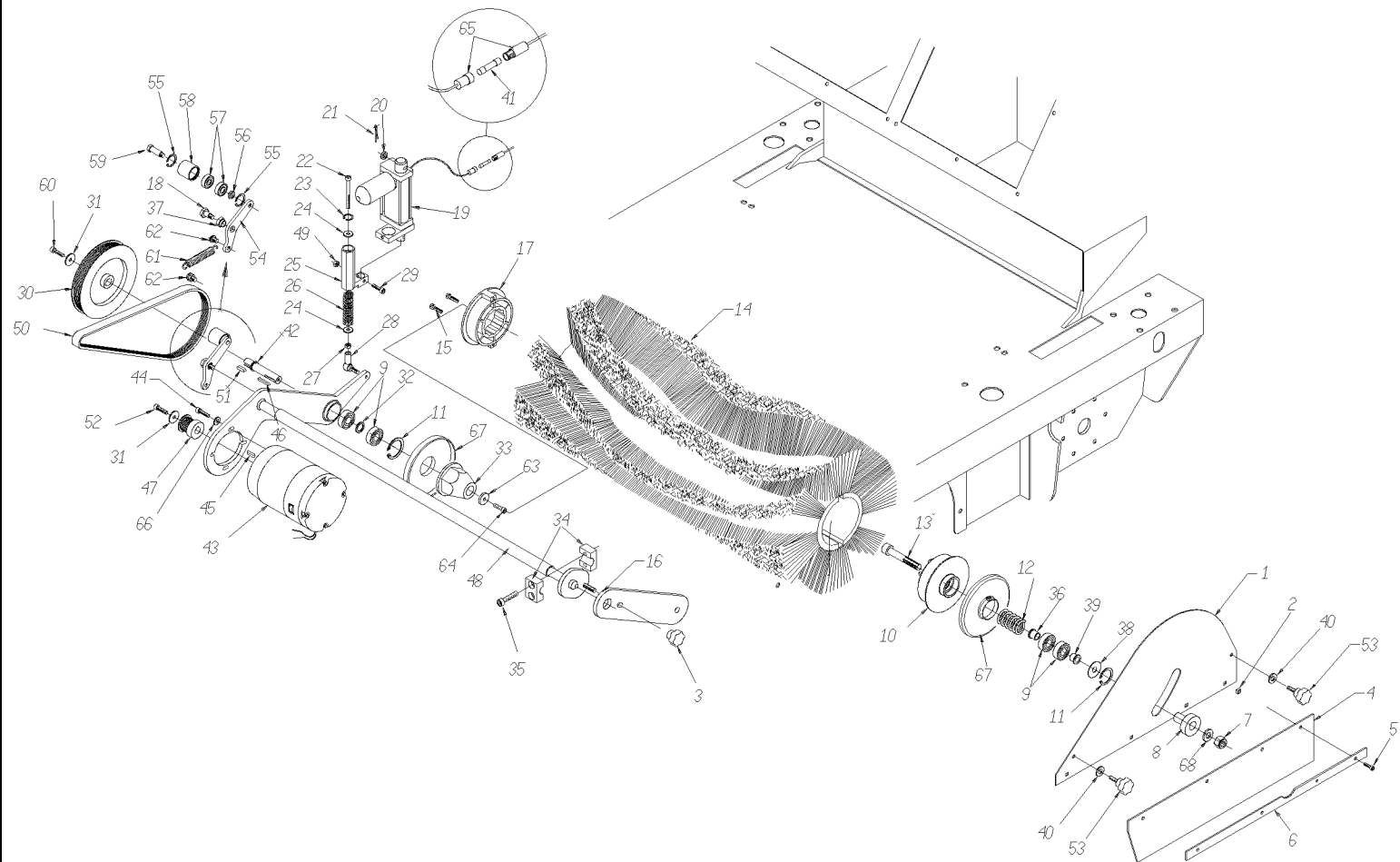
Ref. K	Part N.	Customer Part N.	Description	Qty	Validity:		Price
					From	To	
0039	CUVR00005		BEARING 6202 2RS	2,00			--
0040	LAFN06791		ASSEMBLED SUPPORTO PIANTONE	1,00			--
0041	MECI00337		SWITCH A LEVA	1,00			--
0042	MECI75805		SWITCH TK	1,00			--
0043	LAFN47024		UP STEERING L.14	1,00			--
0044	VTVT47025		SCREW TBEI M 10X 16 ISO 7380 ZB	1,00			--
0045	MPVR47026		BLACK CAP L.14	1,00			--
0046	VTRS44254		WASHER D.10 X40X2.5 UNI6593	1,00			--
0047	MPVR47027		STEERING WHEEL D. 320 L.14	1,00			--
0048	MPVR47066		PROTECTOR L.14	1,00			--
0049	MECI75945		COMMUTAT.SWITCH3 POS. TK	1,00			--
0050	ETET01402		LABEL PLANCIA	1,00			--
0051	MECE00427		BOARD MICRO	1,00			--
0052	CMCV75723		REGISTER D.7	1,00			--
0053	LAFN75975		PIN TK	1,00			--
0054	VTRS00506		WASHER D.12 UNI 6592	2,00			--
0055	LAFN47029		PIN CH.10 H.16	1,00			--
0056	VTDD01682		NUT M12 ZC UNI 5588	1,00			--
0057	LAFN75973		PIN FLAP TK	11,00			--
0058	VTVR00031		CLAMP FRENO TK1400	1,00			--
0059	LAFN47030		BUSHING L.14	4,00			--
0060	VTVT75731		SCREW UNI 5923 6 X5	3,00			--
0061	MLML75960		SPRING D. 8 X1 X32	1,00			--
0062	LAFN47031		PIN L.14	1,00			--
0063	LAFN47032		PEDALE L.14	1,00			--
0064	LAFN47033		BUSHING L.14	1,00			--
0065	VTAE87276		SEEGER EXT. D10 DIN471	2,00			--
0066	LAFN47034		BRAKE PEDAL L.14	1,00			--
0067	MPVR45096		RUBBER V 1201 GR.	1,00			--
0068	LAFN47035		PIN CH.10 H.26	1,00			--
0069	VTAE14016		CIRCLIP D. 12 UNI 7435	1,00			--
0070	LAFN47036		PIN BRK.+FLAP L.14	1,00			--
0071	CMCV87173		SHEATH CAVO FRENO 21251013	1,00			--
0072	MECE00427		BOARD MICRO	1,00			--
0073	VTVT01110		SCREW TE 8X16 UNI5739	5,00			--
0074	VTRS00020		WASHER GOWER UNI 1751 UNI 1751	1,00			--
0075	VTRS87283		WASHER D.8X24X2,5 ZB UNI 6593	1,00			--
0076	LAFN47039		FLANGE L.14	1,00			--
0077	MECI76658		COMMUTAT.SWITCH2 P. TK	1,00			--



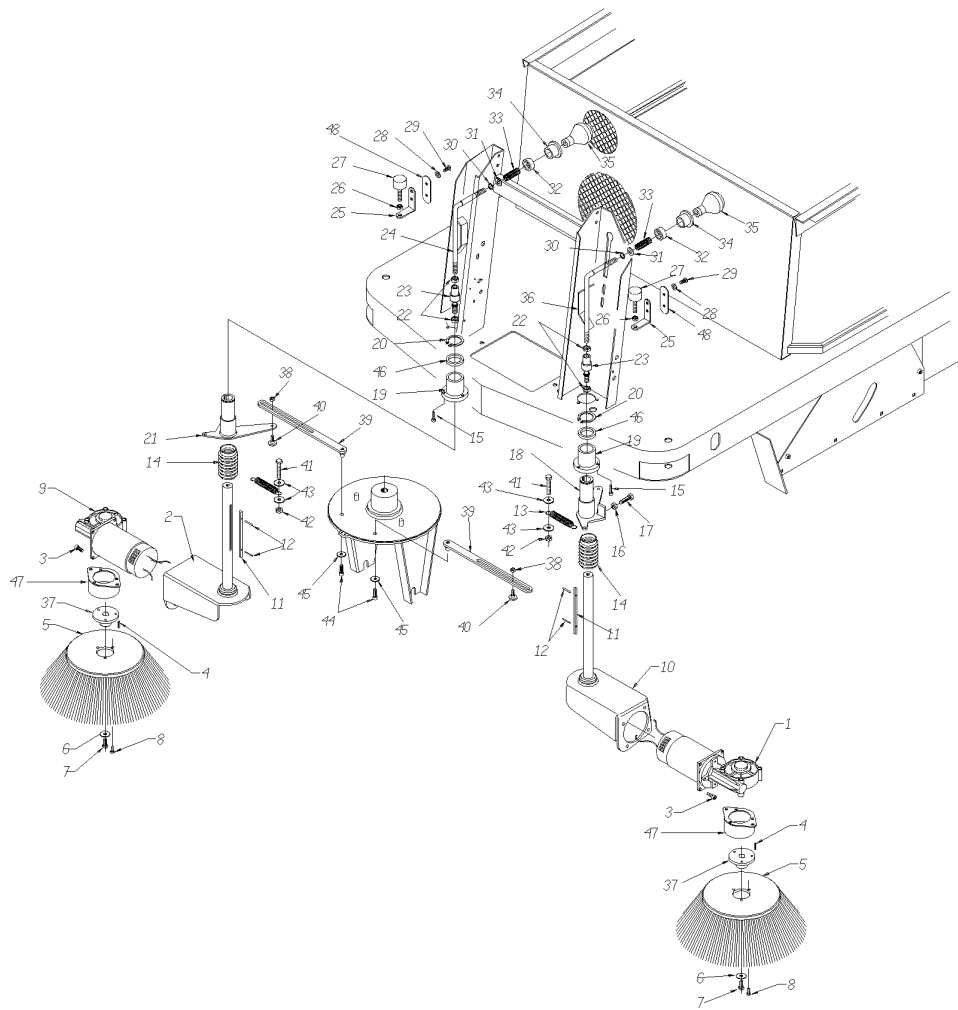
Ref. K	Part N.	Customer Part N.	Description	Qty	Validity:		Price
					From	To	
0078	MPVR47040		KNOB L.14	1,00			--
0079	MPVR04902		COVER SCHEDA MICRO	1,00			--
0080	MECE00426		BOARD PULSANTIERA	1,00			--
0081	CMCV85320		CABLE D.2,5 L.760	1,00	21251003		--



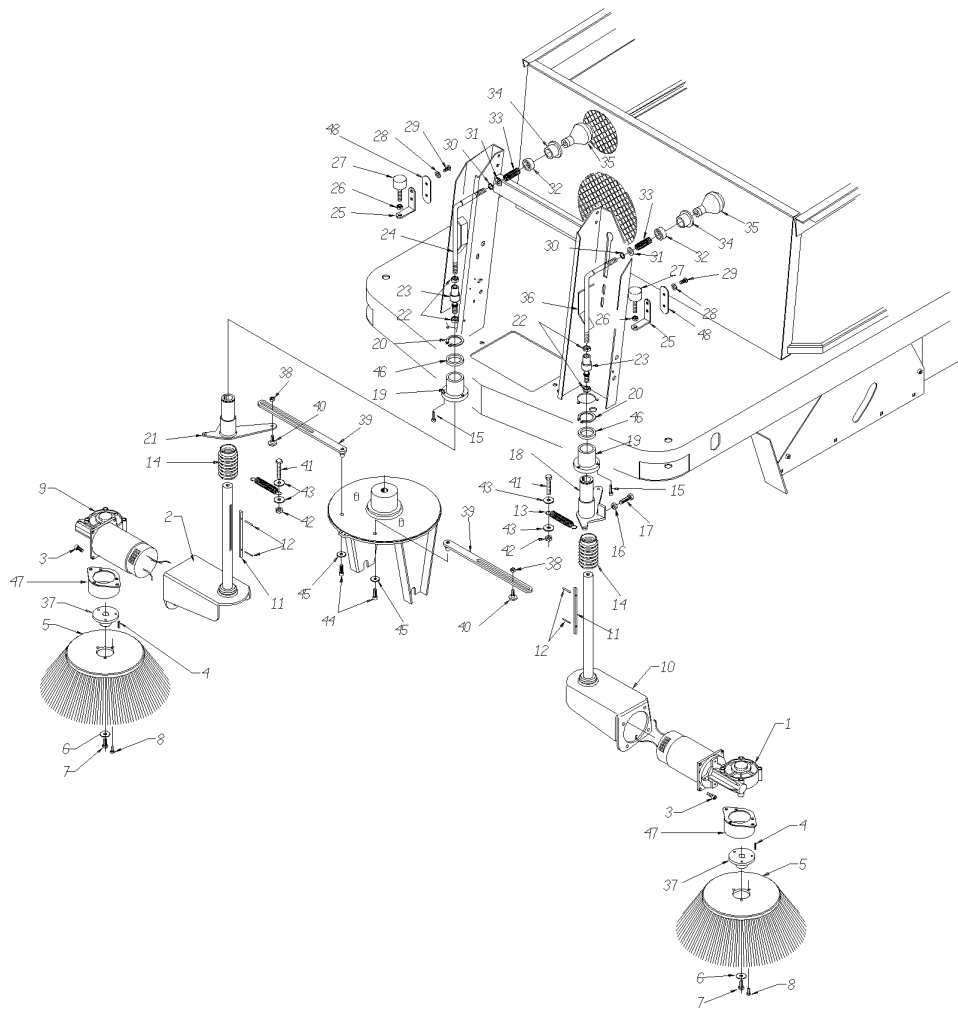
Ref.	K	Part N.	Customer Part N.	Description	Qty	Validity:		Price
						From	To	
0001		LAFN06600		BUMPER FRONTALE F1150	1,00			--
0002		VTVR47015		INSERT PLS. D.3	4,00			--
0003		VTVR00047		HANDWHEEL D.50 M8	1,00			--
0004		MPVR04669		FLAP LATERALE	1,00			--
0005		VTVT00044		SCREW TC AF.X PLAS UNI9707 4X16	4,00			--
0006		LAFN06601		PLATE FISSA FLAP	1,00			--
0007		VTDD00012		NUT AUTOBLOK DIN 985 M12 ZB	1,00			--
0008		LAFN06836		PIN CENTRAGGIO PROTEZIONE	1,00			--
0009		CUVR17004		BALL BEARING 6202 -2RS1	4,00			--
0010		MPVR04923		SUPPORT SPAZZOLA CENTRALE	1,00			--
0011		VTAE00076		SEEGER INTERNO DIN 472 D.28	2,00			--
0012		MLML00295		SPRING SPAZZOLA CENTRALE	1,00			--
0013		VTVT01128		SCREW TCCE UNI 5931 12X120 ZB	1,00			--
0014		SPPV43840		BRUSH D.330x800 ST.MD.	1,00			--
0015		VTVT47049		SCREW ATF TSP-TC 3,5X45 U.6955	2,00			--
0016		LAFN47050		LATERAL ARM L.14	1,00			--
0017		LAFN45099		DRIVE DISK TK1400	1,00			--
0018		LAFN47051		PIN L.14	1,00			--
0019		PMQE00017		ATUATOR SPAZZOLA CENTRALE	1,00			--
0020		VTRS00503		WASHER D. 6 TE UNI 6798	1,00			--
0021		VTVR47052		SPLIT PIN "R" D. 2 X 43 ZC	1,00			--
0022		VTVT37013		SCREW TE M 6X100 UNI 5737	1,00			--
0023		VTAE00009		SEEGER INTERNO DIN 472 D.20	1,00			--
0024		LAFN00124		BUSHING BATTUTA CILINDRO	2,00			--
0025		MPVR45279		CASE TK1400	1,00			--
0026		MLML45281		SPRING TK1400	1,00			--
0027		VTDD00482		NUT M 6 ZIN UNI 5588	1,00			--
0028		VTVR45280		ARTICULATION AS M6	1,00			--
0029		VTVT00008		SCREW TE UNI 5739 6X30 ZB	1,00			--
0030		MTPL47054		PULLEY POLY-V J8 D. 155	1,00			--
0031		VTRS63242		WASHER D. 6 X24 ZC	2,00			--
0032		LAFN06823		SPACER L.14	1,00			--
0033		MPVR04915		HUB TRASCINATORE SPAZZ. CENT.	1,00			--
0034		LAFN47055		HOSE COLLAR C3 D.18	4,00			--
0035		VTVT06236		SCREW TCEI 6X40 UNI5931	4,00			--
0036		LAFN06782		BUSHING PER CUSCINETTO	1,00			--
0037		LAFN47033		BUSHING L.14	1,00			--
0038		VTRS00553		WASHER PARAPOLVERE	1,00			--
0039		LAFN06783		BUSHING PER CUSCINETTO 1	1,00			--



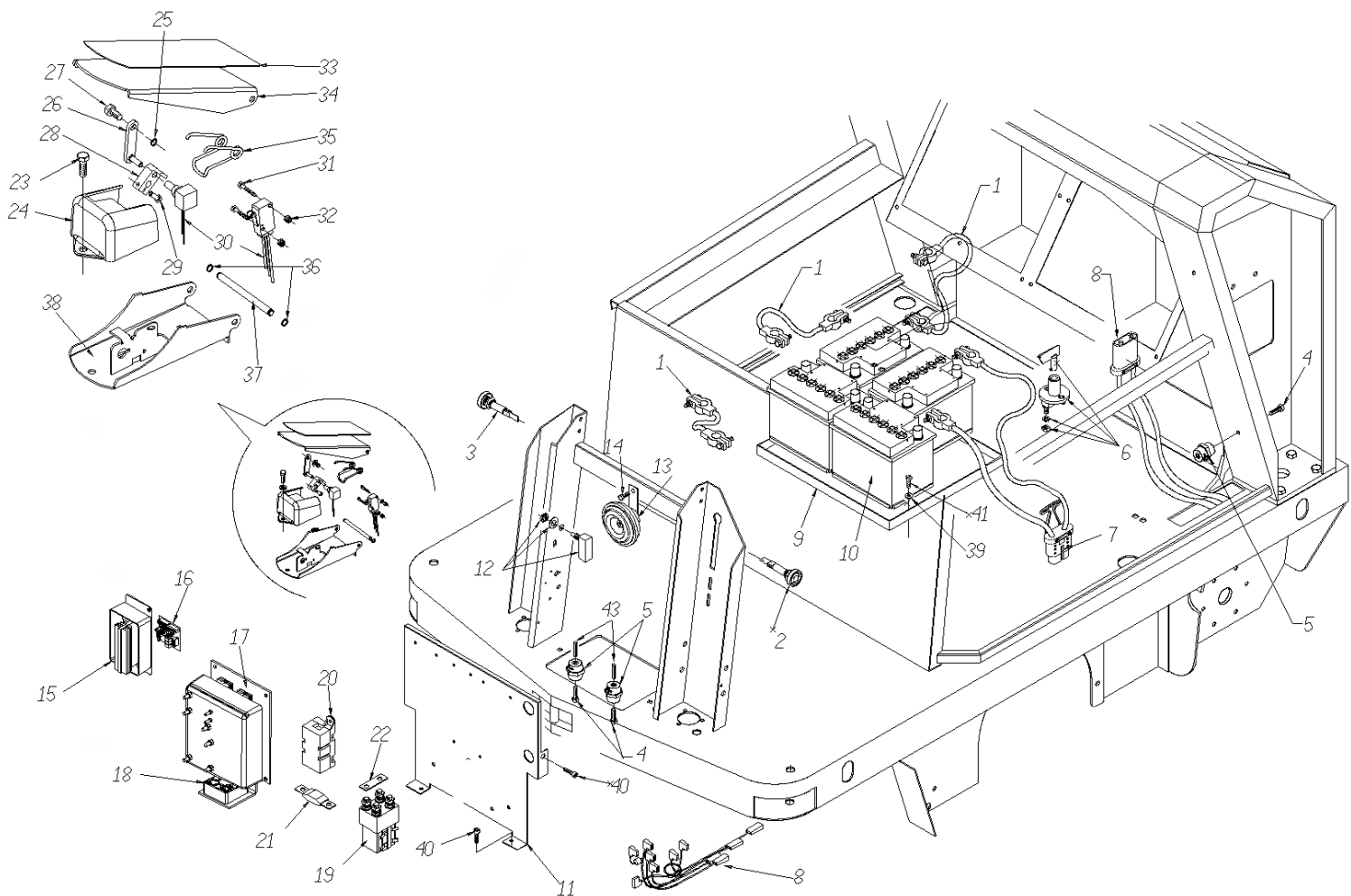
Ref. K	Part N.	Customer Part N.	Description	Qty	Validity:		Price
					From	To	
0040	VTRS00504		WASHER D. 8 TE ZC. UNI 6592	2,00			--
0041	MEVR00079		FUSE 3.15A 250V 5X20	1,00			--
0042	LAFN06687		PIN S.C. 1404	1,00			--
0043	MOCC00275		MOTOR SPAZZOLA CENTRALE	1,00			--
0044	VTVT06237		SCREW TCEI 6X20 UNI5931	4,00			--
0045	VTVR13165		KEY 5X5X20	1,00			--
0046	VTVR00006		KEY UNI 6604 4X4X35	1,00			--
0047	MTPL45101		PULLEY POLY-V J8 TK1400	1,00			--
0048	LAFN06828		BUMPER FRONTALE F1150	1,00			--
0049	VTDD19688		NUT M6 UNI 7473	1,00			--
0050	MTCG44767		BELT POLY-V J8 864-340	1,00			--
0051	VTVR13165		KEY 5X5X20	1,00			--
0052	VTVT24209		SCREW TCEI 6X12 UNI5931	1,00			--
0053	RTRT00022		HANDWHEEL D.30 M6X15	2,00			--
0054	LAFN47059		BELT-STRETCHER L.14	1,00			--
0055	VTAE00008		SEEGER INTERNO DIN 472 D.26	2,00			--
0056	LAFN47060		SPACER L.14	1,00			--
0057	CUVR86373		BEARING 6000 2RS	2,00			--
0058	MTPL47061		ROLLER L.14	1,00			--
0059	LAFN47062		PIN L.14	1,00			--
0060	VTVT24209		SCREW TCEI 6X12 UNI5931	1,00			--
0061	MLML75961		SPRING D. 16 L.80	1,00			--
0062	VTVT45395		SCREW TBEI M 8X 10 ISO 7380 ZB	2,00			--
0063	VTRS04026		WASHER D. 6X18X2.38	1,00			--
0064	VTVT24209		SCREW TCEI 6X12 UNI5931	1,00			--
0065	MEVR00080		FUSE-HOLDER PV610 10A	1,00			--
0066	VTRS04026		WASHER D. 6X18X2.38	4,00			--
0067	LAFN06837		PROTECTION SPAZZOLA CENTRALE	2,00			--
0068	VTRS00506		WASHER D.12 UNI 6592	1,00			--



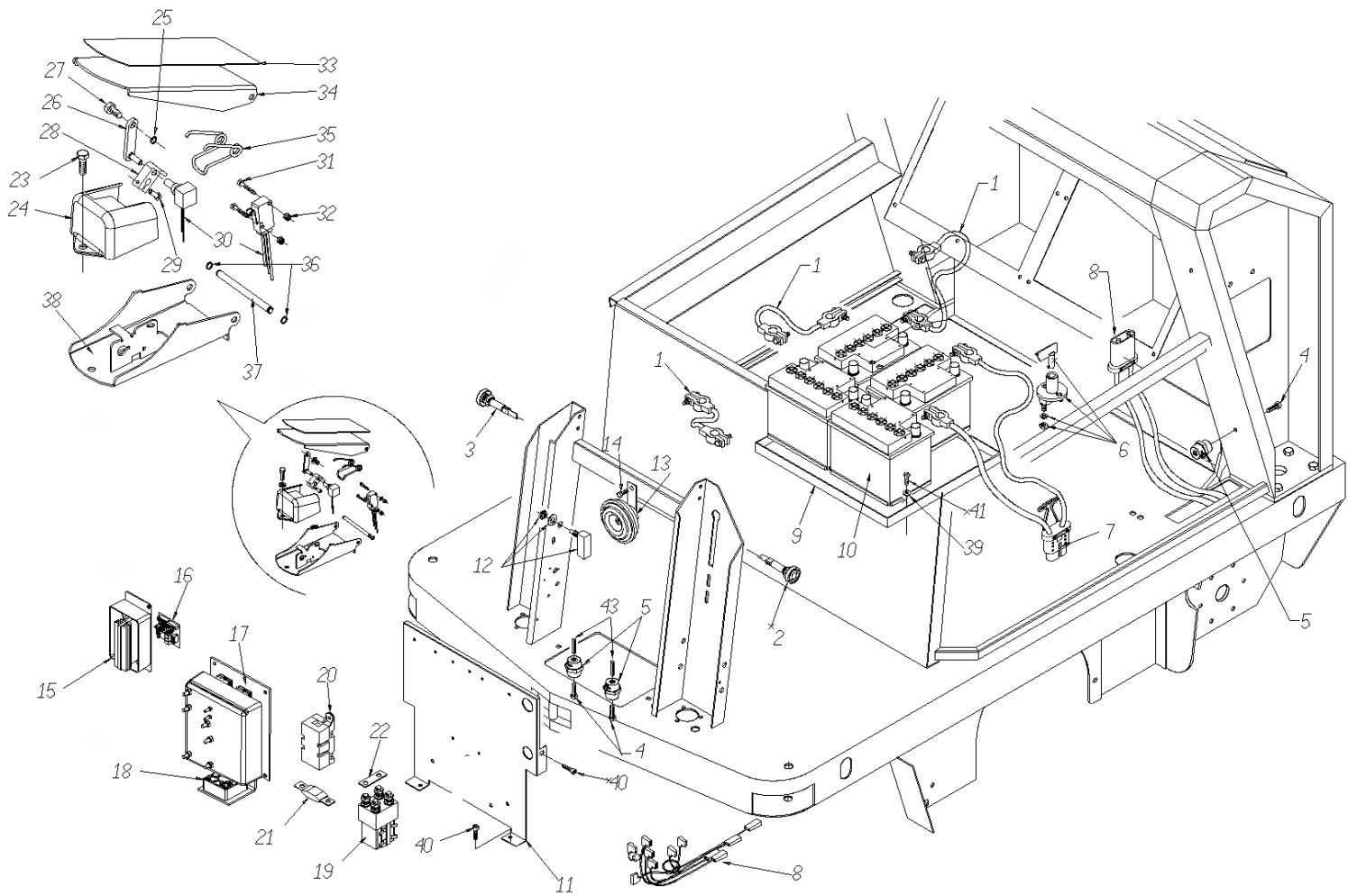
Ref.	K	Part N.	Customer Part N.	Description	Qty	Validity:		Price
						From	To	
0001		RDGR44777		MOTOR.GEARBOX AOMP140 24V 90W SX	1,00			--
0002		LAFN47063		MOTOR SUPPORT L.14 DX	1,00			--
0003		VTVT06237		SCREW TCEI 6X20 UNI5931	8,00			--
0004		VTVR33667		KEY 5x 5x25 UNI 6604A	2,00			--
0005		SPPV43844		SIDE-BRUSH D. 500 ST.MD.	2,00			--
0006		VTRS63242		WASHER D. 6 X24 ZC	2,00			--
0007		VTVT75719		SCREW TE F/ROND. M 6 X 10	2,00			--
0008		VTVT62920		SCREW TE F/ROND. M 6X 16 ZB	6,00			--
0009		RDGR44776		MOTOR.GEARBOX AOMP140 24V 90W DX	1,00			--
0010		LAFN47064		MOTOR SUPPORT L.14 SX	1,00			--
0011		VTVR47065		KEY 6X 6X130 UNI 6604	2,00			--
0012		VTVR00009		ELASTIC PLUG DIN 1481 3X20	4,00			--
0013		MLML45102		SPRING TR	2,00			--
0014		MPVR47066		PROTECTOR L.14	2,00			--
0015		VTVT09913		SCREW TCEI 6X16 UNI5931	6,00			--
0016		VTDD00483		NUT M 8 ZIN UNI 5588	6,00			--
0017		VTVT00017		SCREW TE UNI 5739 8X35 ZB	2,00			--
0018		LAFN47067		GUIDE L.14 SX	1,00			--
0019		LAFN47070		FLANGE L.14 LT.	2,00			--
0020		VTAE12644		CIRCLIP D. 30 UNI 7435	2,00			--
0021		LAFN47071		GUIDE L.14 DX	1,00			--
0022		VTDD00484		NUT M10 ZIN UNI 5588	4,00			--
0023		VTVR47072		ARTICULATION AS M10	2,00			--
0024		LAFN47073		ARM L.14 DX	1,00			--
0025		MPVR86579		SUPPORT TK	2,00			--
0026		VTDD00482		NUT M 6 ZIN UNI 5588	2,00			--
0027		MPVR75799		FOOT 20x9 M 6x18	2,00			--
0028		VTRS04026		WASHER D. 6X18X2.38	4,00			--
0029		VTVT75726		SCREW TBEI M 6X 16 ISO 7380 ZB	4,00			--
0030		VTAE87276		SEEGER EXT. D10 DIN471	2,00			--
0031		VTRS00505		WASHER D.10 TE UNI 6592	2,00			--
0032		MPVR47074		BUSHING L.14 INT.	2,00			--
0033		MLML47075		SPRING D.15X 24 X1.5	2,00			--
0034		MPVR47076		BUSHING L.14 EXT.	2,00			--
0035		MPVR47077		KNOB L.14	2,00			--
0036		LAFN47078		ARM L.14 SX	1,00			--
0037		LAFN45010		FLANGE L.1400 LT.	2,00			--
0038		VTDD00491		NUT M 6 TEF	2,00			--
0039		LAFN47079		ROD L.14	2,00			--



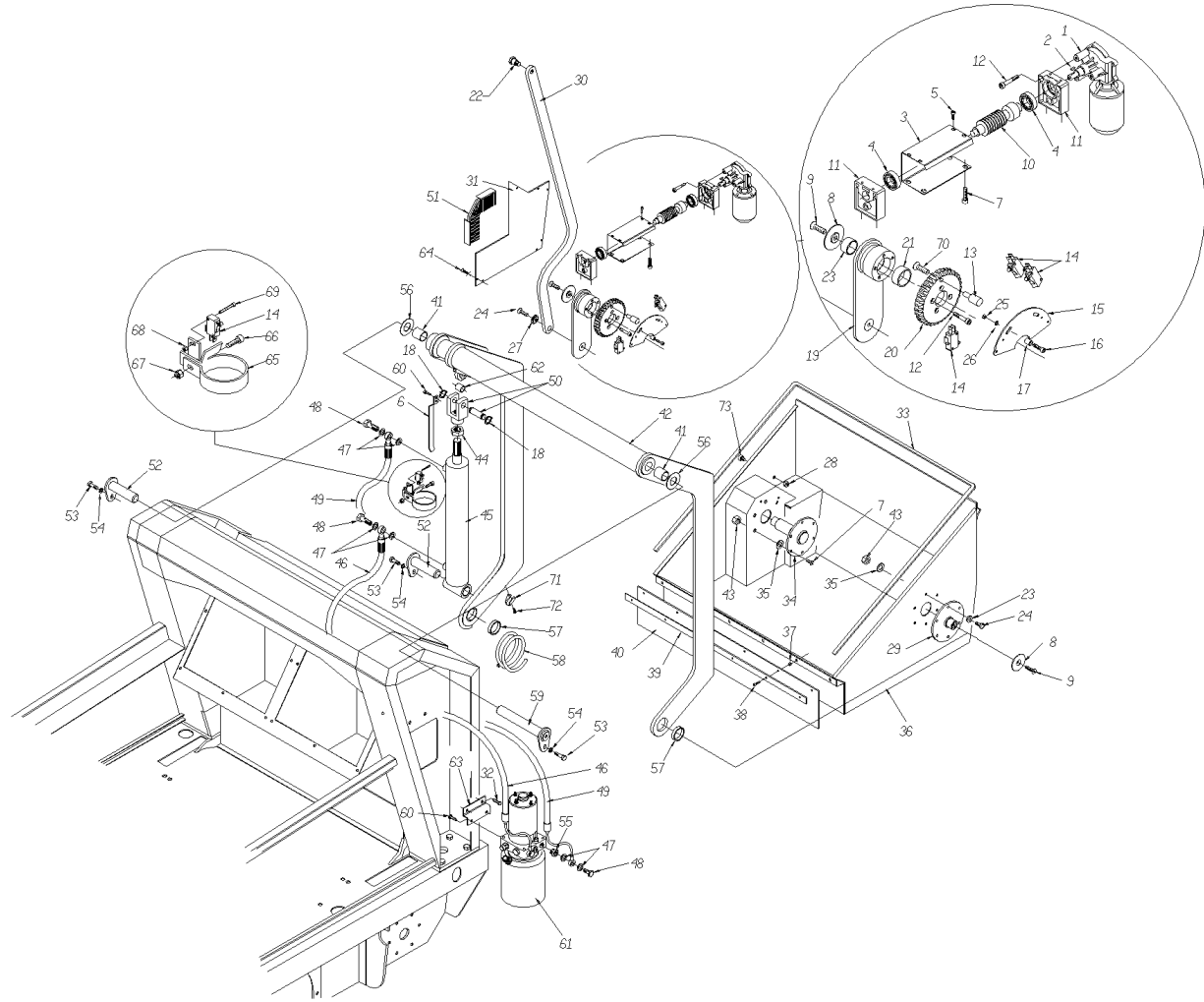
Ref. K	Part N.	Customer Part N.	Description	Qty	Validity:		Price
					From	To	
0040	LAFN47080		SCREW L.14	2,00			--
0041	VTVT00450		SCREW TE 8X40 UNI5739	2,00			--
0042	VTDD00124		NUT M 8 BASSO	2,00			--
0043	VTRS00512		WASHER D. 8 X24 ZC.	4,00			--
0044	VTVT00058		SCREW TCCE UNI 5931 5X12 ZB	2,00			--
0045	VTRS00291		WASHER D. 5 X20 ZC UNI 6593	2,00			--
0046	LAFN47081		SPACER L.14	2,00			--
0047	LAFN06834		PROTECTION SPAZZOLA LATERALE	2,00			--
0048	LAFN06795		BRACKET LEVE SPAZZOLE LATERALI	2,00			--



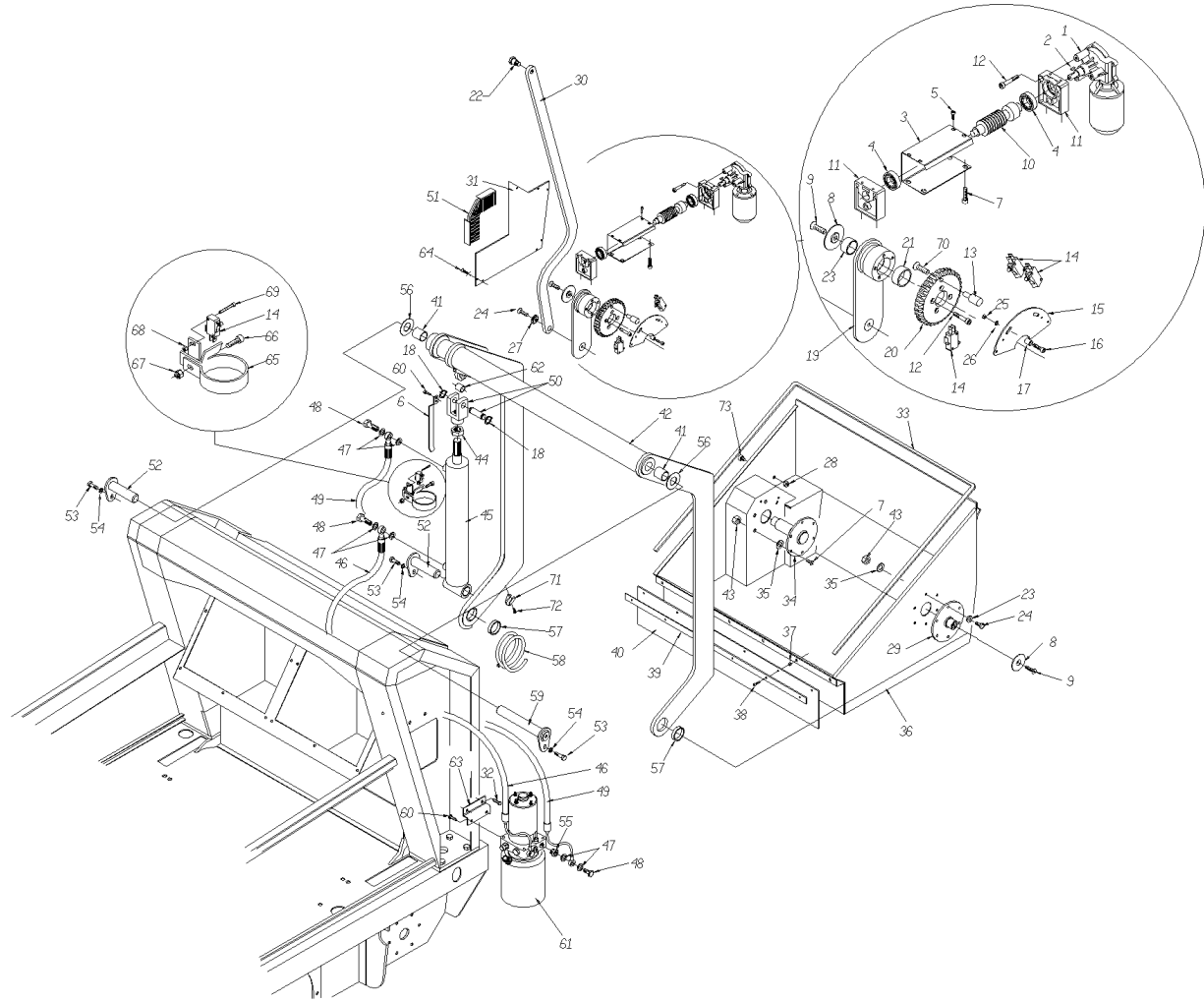
Ref. K	Part N.	Customer Part N.	Description	Qty	Validity:		Price
					From	To	
0001	MEVR34820		WIRING B 450 BT	3,00			--
0002	MECI00026		BUTTON PIATTO ROTONDO D.22 ROSSO	1,00			--
0003	MECI00028		BUTTON DI EMERGENZA TK1400 24V	1,00			--
0004	VTVT75719		SCREW TE F/ROND. M 6 X 10	2,00			--
0005	MEVR47082		INSULATOR M6 35-CH32	3,00			--
0006	AZMC75803		DIASSASS.SPANNERSW 1000	1,00			--
0007	MECB44780		WIRING BATTERIA	1,00			--
0008	MECB00948		WIRING 1404 E	1,00			--
0008	MECB00950		WIRING 1404 E	1,00			--
0009	LAFN46836		BATTERY SUPPORTL.14000 TK	1,00			--
0011	LAFN06784		PLATE SUPPORTO ELETTRONICA	1,00			--
0012	MECI75801		MICROSWITCH TK	2,00			--
0013	MEVR47083		KLAXON L.14 24V	1,00			--
0014	VTVT85116		SCREW TE FR 6,3X19 ZIN	1,00			--
0015	MECE00420		BOARD POTENZA CASSETTO COMPL.	1,00			--
0016	MECE45124		PCB RELE' L.1400	1,00			--
0017	MECE00419		BOARD POTENZA COMPLETA	1,00			--
0018	VEVR00065		IMPELLER RAFFREDDAMENTO	1,00			--
0019	MECI00037		CONTACTOR TL22 P V 24V	1,00			--
0020	MEVR00146		FUSE-HOLDER MEGA	1,00			--
0021	MEVR01925		FUSE 150A	1,00			--
0022	MECB00117		WIRING TELERUTTORE	1,00			--
0023	VTVT06237		SCREW TCEI 6X20 UNI5931	1,00			--
0024	MPVR51062		COVER POTENZIOM.	1,00			--
0025	VTAE48552		CIRCLIP D. 6 UNI 7435	1,00			--
0026	LAFN51062		ASSEMBLED BIELLA PEDALE AVANZ.	1,00			--
0027	LAFN51061		PIN AGGANCIIO PEDALE MOB.	1,00			--
0028	MPVR51061		HANDLE POTENZIOM.	1,00			--
0029	VTVT21096		SCREW TE M 4X 10 INX	1,00			--
0030	MECB00124		WIRING pedale acceleratore G1050	1,00			--
0031	VTVT00654		SCREW TC+ M.3-20	2,00			--
0032	VTDD21115		NUT M 3 INOX	2,00			--
0033	ETET01356		ADHESIVE PEDALE P185	1,00			--
0034	LAFN51064		ASSEMBLED PEDALE AVANZ.SUPER.	1,00			--
0035	MLML00034		SPRING PEDALE AVANZAMENTO G1050	1,00			--
0036	VTAE48552		CIRCLIP D. 6 UNI 7435	2,00			--
0037	LAFN04159		PIN PEDALE P185	1,00			--
0038	LAFN51063		ASSEMBLED BASE PEDALE AVANZ.	1,00			--
0039	VTRS00503		WASHER D. 6 TE UNI 6798	4,00			--



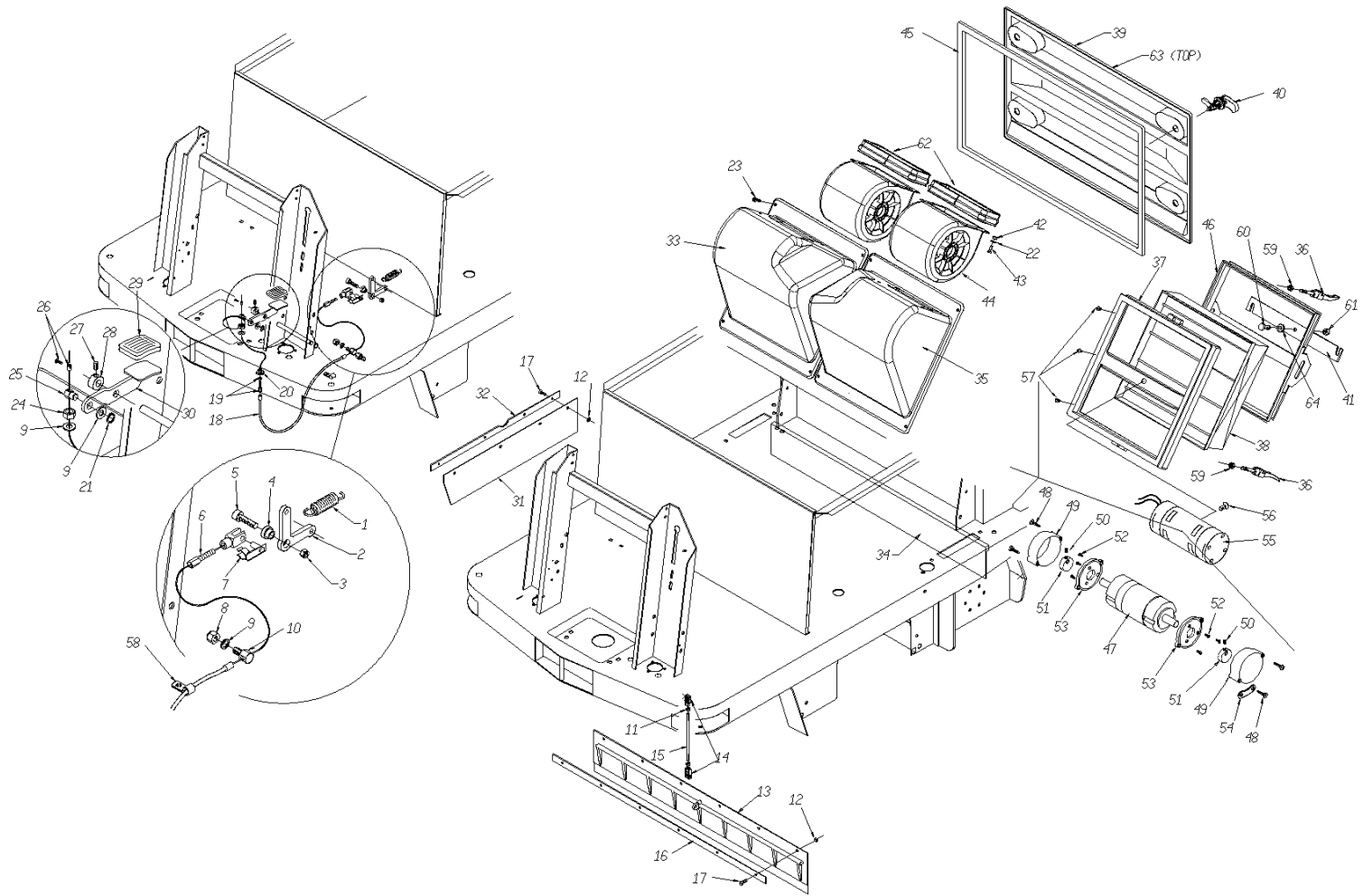
Ref. K	Part N.	Customer Part N.	Description	Qty	Validity:		Price
					From	To	
0040	VTVT62920		SCREW TE F/ROND. M 6X 16 ZB	4,00			--
0041	VTVT75726		SCREW TBEI M 6X 16 ISO 7380 ZB	4,00			--



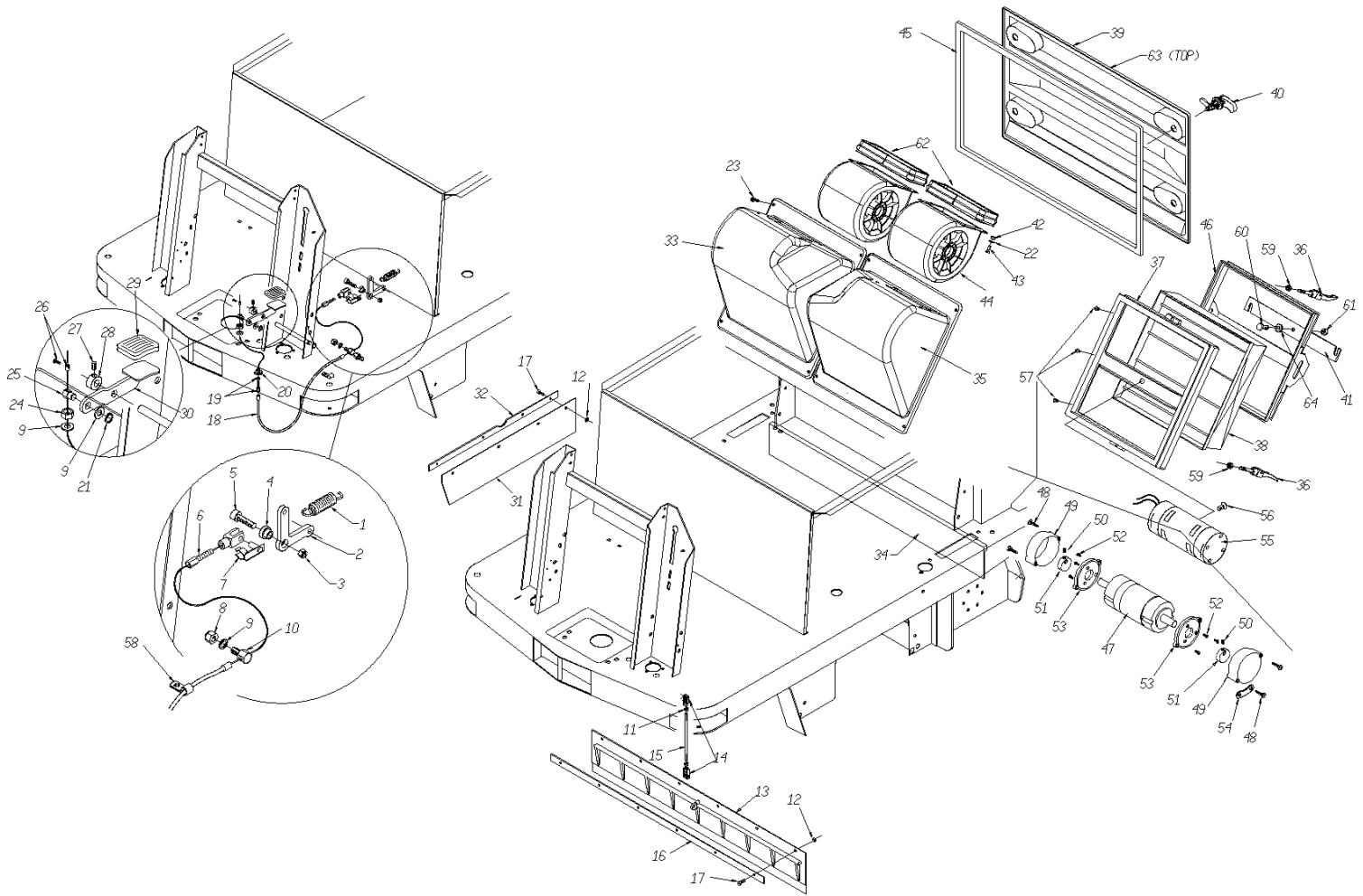
Ref. K	Part N.	Customer Part N.	Description	Qty	Validity:		Price
					From	To	
0001	RDGR31335		MOTOR.GEARBOX L. 70TE	1,00			--
0002	VTVR75730		KEY UNI 6606 3 X 3,7	1,00			--
0003	LAFN45321		COVER L.14	1,00			--
0004	CUVR06174		BALL BEARING 6002-2RS1	2,00			--
0005	VTVT00098		SCREW AUTOF.TC UNI 6954 3,9X9,5	4,00			--
0006	LAFN47093		ECCENTRIC CAM L.14	1,00			--
0007	VTVT62920		SCREW TE F/ROND. M 6X 16 ZB	10,00			--
0008	LAFN47094		SPACER L.14	2,00			--
0009	VTVT45340		SCREW TSPEI 8X16 UNI5933	2,00			--
0010	MTIG45320		TOOTHED WHEEL L.14	1,00			--
0011	LAFN45319		SUPPORT L.14	2,00			--
0012	VTVT06237		SCREW TCEI 6X20 UNI5931	7,00			--
0013	LAFN45233		PAWL TK1400	1,00			--
0014	MECI44780		MICROSWITCH D2VW-5L2A-1M OMR	4,00			--
0015	LAFN45283		PLATE TK1400	1,00			--
0016	VTVT19236		SCREW TCEI 5X20 UNI 5931	2,00			--
0017	LAFN47095		SPACER D. 6-10 L= 8	2,00			--
0018	VTAE17003		CIRCLIP D. 15 UNI 7435	2,00			--
0019	LAFN47096		CONNECTING ROD L.14 CASS.	1,00			--
0020	MTCR46479		TOOTHED WHEEL L.14 EL.	1,00			--
0021	MPVR47097		BUSHING D. 30X34X15 GLYC.	1,00			--
0022	LAFN47098		PIN L.14 PARALL.	1,00			--
0023	MPVR00006		BUSHING GLYCODUR GLY.PG 25-28-15F	1,00			--
0024	VTVT62920		SCREW TE F/ROND. M 6X 16 ZB	6,00			--
0025	VTDD00040		NUT M5 UNI7474	2,00			--
0026	VTRS00502		WASHER D. 5 0.466 UNI 6592	4,00			--
0027	LAFN47099		SPACER L.14	1,00			--
0028	VTDD00124		NUT M 8 BASSO	2,00			--
0029	LAFN47100		PIN L.14 SX	1,00			--
0030	LAFN47101		ARM L.14	1,00			--
0031	LAFN45284		BOX COVER TK1400	1,00			--
0032	VTVT75719		SCREW TE F/ROND. M 6 X 10	2,00			--
0033	GUVR45103		GASKET TK1400	1,00			--
0034	LAFN47102		PIN L.14 DX	1,00			--
0035	VTRS00503		WASHER D. 6 TE UNI 6798	18,00			--
0036	LAFN47103		DRAWER L.14	1,00			--
0037	VTVR47015		INSERT PLS. D.3	6,00			--
0038	VTVT00106		SCREW AUTOFIL. TC 3,5X14,5	6,00			--
0039	LAFN47104		HOSE CLIP L.14	1,00			--



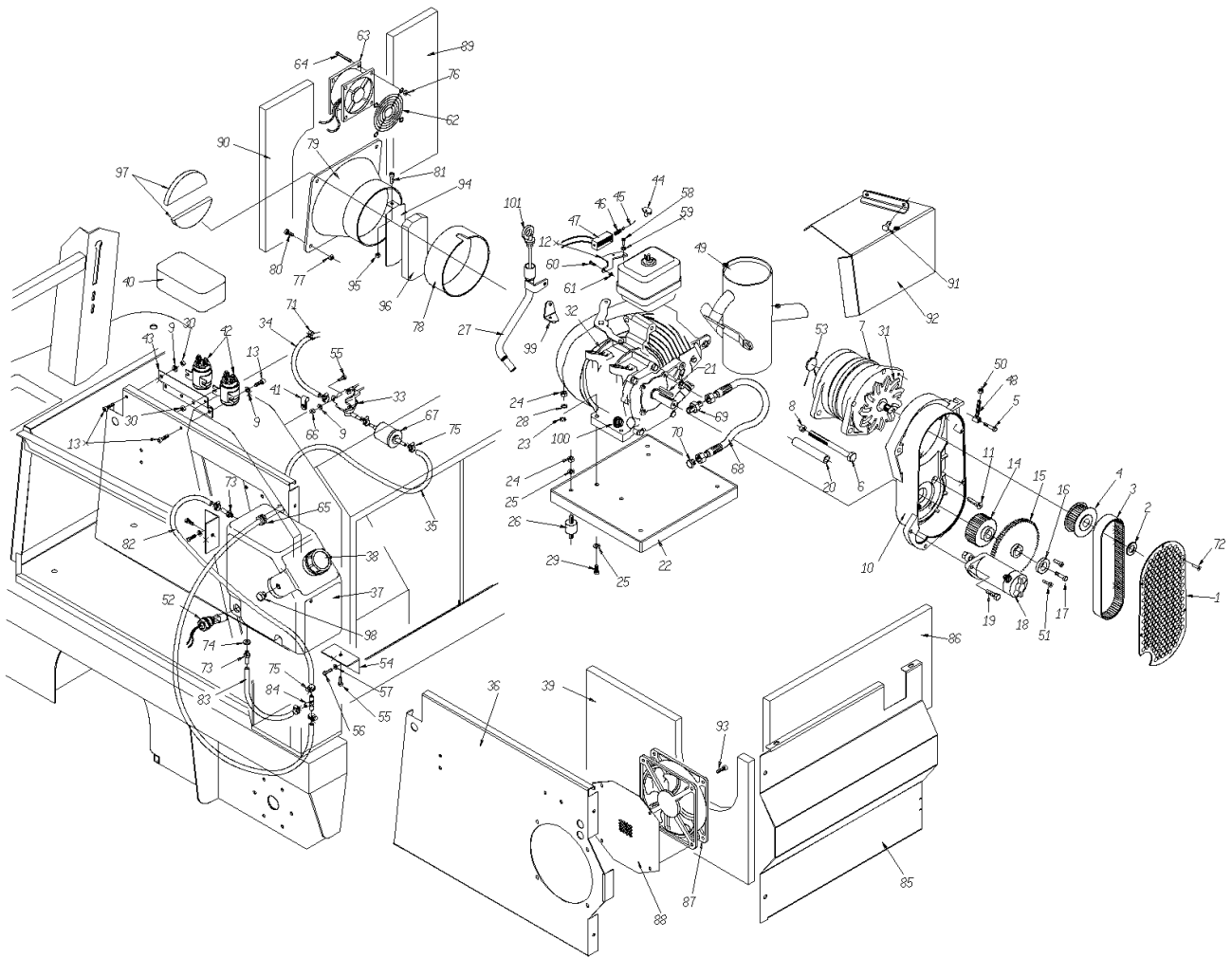
Ref. K	Part N.	Customer Part N.	Description	Qty	Validity: From To	Price
0040	MPVR45104		RUBBER FLAP L.1400	1,00		--
0041	MPVR47105		BUSHING D. 25X28X25 GLYC.	2,00		--
0042	LAFN47106		ARM L.14	1,00		--
0043	VTDD00491		NUT M 6 TEF	12,00		--
0044	VTDD46131		NUT M20 ZC UNI 5589 PG	1,00		--
0045	PIID45105		PISTON D.50 ST25	1,00		--
0046	TBAP45106		HOSE-FITTING 3/16 L.14	1,00		--
0047	VTRS00037		WASHER IN DAWTY 1/8	8,00		--
0048	RCDS47107		SCREW G 1/8	4,00		--
0049	TBAP45107		HOSE-FITTING 3/16 L.14	1,00		--
0050	CMCV47108		FORK M20 X15 +PN.	1,00		--
0051	LAFN01089		PROTECTION ANTIPOLVERE TK1400	1,00		--
0052	LAFN47110		PIN L.14 DX	2,00		--
0053	VTVT09916		SCREW TBEI M 6X 20 ISO 7380 ZB	3,00		--
0054	VTRS63242		WASHER D. 6 X24 ZC	3,00		--
0055	RCVR00081		REDUCTION X CENTRALINA IDRAUL.1400	2,00		--
0056	VTRS47111		WASHER D.25 X50 X1.5 PVC	2,00		--
0057	LAFN47123		BUSHING L.14	2,00		--
0058	MPVR45285		SHEATH TK1400	1,00		--
0059	LAFN47124		PIN L.14 SX	1,00		--
0060	VTVT17639		SCREW TCEI M 5X10 UNI 5931	4,00		--
0061	PPEL45108		MOTOR-DRIV.PUMPIDR. 24V L.14	1,00		--
0062	MPVR47125		BUSHING D. 16X18X20 GLYC.	1,00		--
0063	LAFN47126		SUPPORT BRACKETL.14	1,00		--
0064	VTVT00099		SCREW AUTOF.TC UNI 6954 3,9X13	4,00		--
0065	LAFN47127		SUPPORT MICRO.L.14	1,00		--
0066	VTVT09916		SCREW TBEI M 6X 20 ISO 7380 ZB	1,00		--
0067	VTDD19688		NUT M6 UNI 7473	1,00		--
0068	VTDD00001		NUT UNI 5588 M3 ZB	1,00		--
0069	VTVT00019		SCREW TE UNI 5739 3X20 ZB	4,00		--
0070	VTVT00299		SCREW TSPEI M6x25 UNI5933	1,00		--
0071	LAFN45717		PLATE L.14	1,00		--
0072	VTVT00089		SCREW TCCE UNI 5931 4X10 ZB	1,00		--
0073	VTVT19472		SCREW TCEI M 8X10 UNI 5931	2,00		--



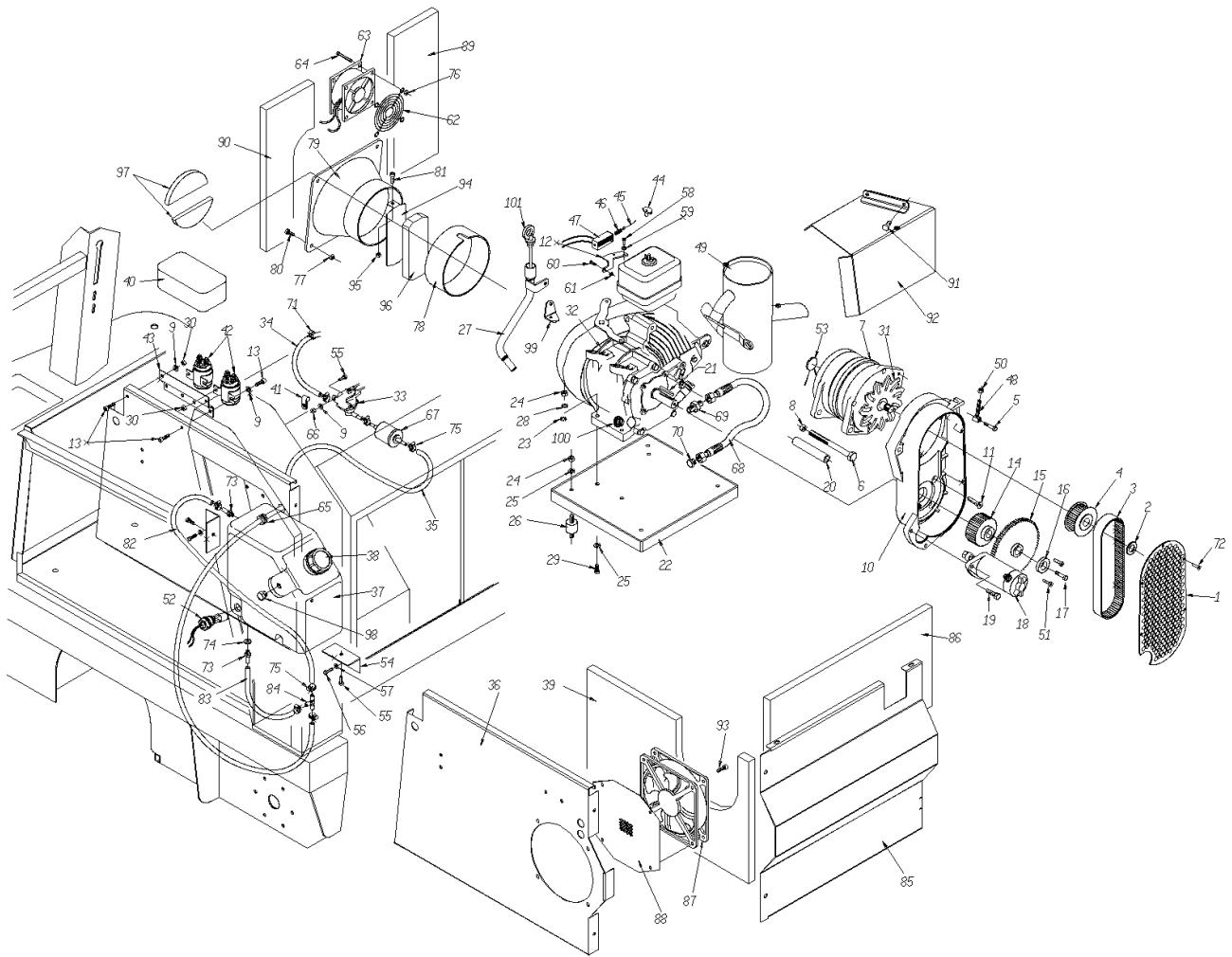
Ref.	K	Part N.	Customer Part N.	Description	Qty	Validity: From To	Price
0001		MLML45109		SPRING TR D. 12X1.7X79.5	1,00		--
0002		LAFN47128		LEVER L.14	1,00		--
0003		VTDD00124		NUT M 8 BASSO	1,00		--
0004		LAFN47129		BUSHING L.14 A.FLAP	1,00		--
0005		VTVT00448		SCREW TE 8X30 UNI5739	1,00		--
0006		CMCV87172		CABLE ALZA FLAP 2125404	1,00		--
0007		CMCV75717		CLIP UNI 1676 M6	3,00		--
0008		VTDD00012		NUT AUTOBLOK DIN 985 M12 ZB	1,00		--
0009		VTRS00506		WASHER D.12 UNI 6592	4,00		--
0010		LAFN75976		SPRING GUIDE TK 1000	1,00		--
0011		VTDD00482		NUT M 6 ZIN UNI 5588	2,00		--
0012		VTVR47015		INSERT PLS. D.3	10,00		--
0013		MPVR44781		RUBBER FLAP L.1400 RG.	1,00		--
0014		CMCV75717		CLIP UNI 1676 M6	2,00		--
0014		CMCV76639		FORK M 6 UNI 1676	2,00		--
0015		LAFN47130		PIN L.14 A.FLAP	1,00		--
0016		LAFN47131		SHEET METAL PA.FLAP ANTERIORE	1,00		--
0017		VTVT00044		SCREW TC AF.X PLAS UNI9707 4X16	6,00		--
0018		CMCV47132		SHEATH L.14 A.FLAP	1,00		--
0019		CMCV75723		REGISTER D.7	1,00		--
0020		LAFN75975		PIN TK	1,00		--
0021		VTAE14016		CIRCLIP D. 12 UNI 7435	1,00		--
0022		VTRS04026		WASHER D. 6X18X2.38	8,00		--
0023		VTVT00092		SCREW TBCE ISO 7380 6X22 ZB	8,00		--
0024		VTDD01682		NUT M12 ZC UNI 5588	1,00		--
0025		LAFN75973		PIN FLAP TK	1,00		--
0026		CMCV75737		CLAMP D.7 art.857	1,00		--
0027		VTVT75731		SCREW UNI 5923 6 X5	4,00		--
0028		LAFN47030		BUSHING L.14	1,00		--
0029		MPVR45096		RUBBER V 1201 GR.	1,00		--
0030		LAFN47133		PEDALE L.14 FLAP	1,00		--
0031		MPVR04669		FLAP LATERALE	1,00		--
0032		LAFN06601		PLATE FISSA FLAP	1,00		--
0033		MPVR04898		SUPPORT ASPIRATORE DX	1,00		--
0034		MPVR45327		RUBBER L.1400 PST	1,00		--
0035		MPVR04896		SUPPORT ASPIRATORE SX	1,00		--
0036		PMVR01208		DRAWER POST.TK500/K501 NERO COMP	4,00		--
0037		LAFN47137		FRAME PORTA FILTRO	2,00		--
0038		FTDP48536		FILTER L.14000 CAR. 2V.	2,00		--



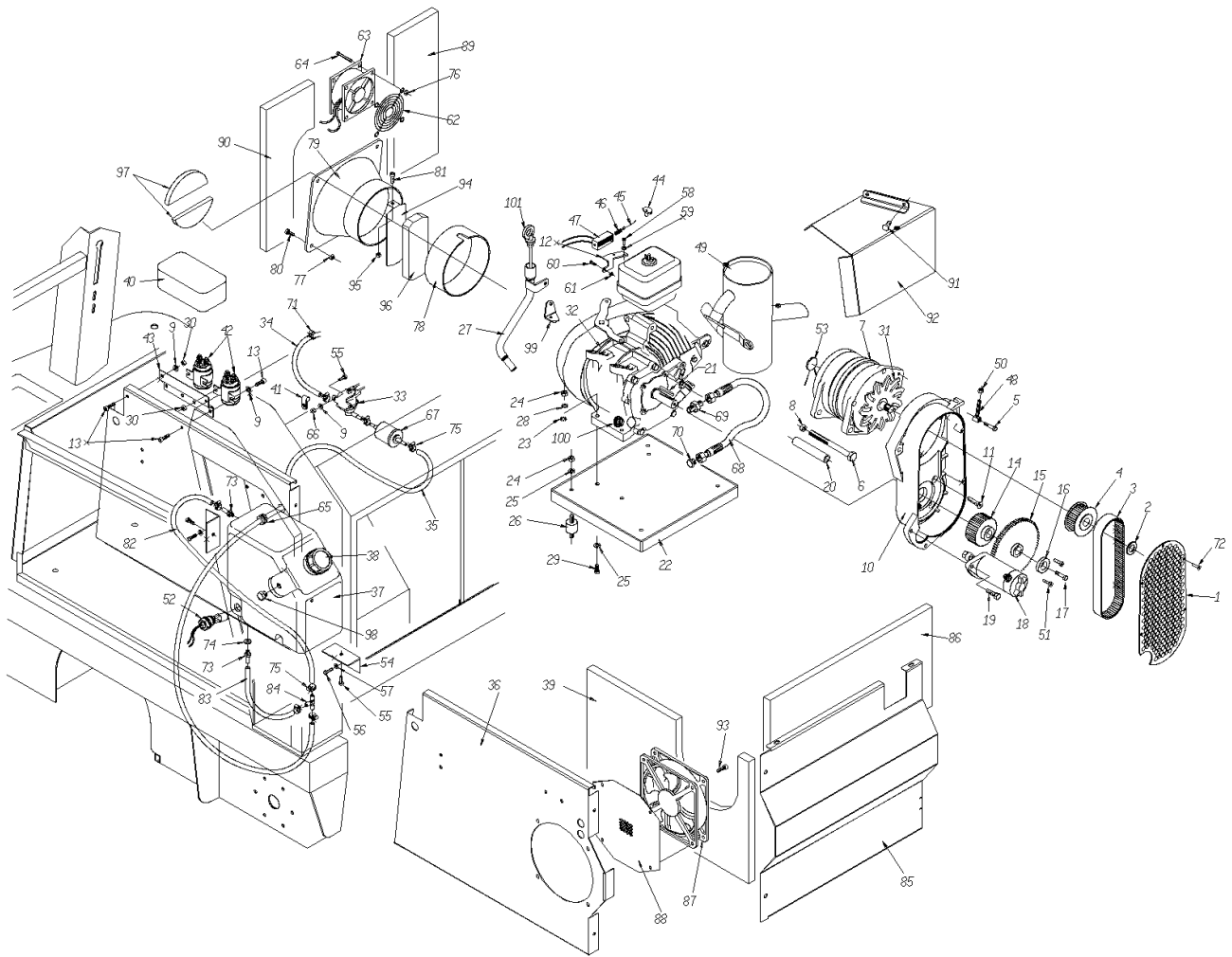
Ref. K	Part N.	Customer Part N.	Description	Qty	Validity:		Price
					From	To	
0039	MPVR45784		COVER CHIUSURA FILTRO	1,00			--
0040	PMVR00103		LOCK	4,00			--
0041	LAFN06599		PLATE FISSA FILTRO	2,00			--
0042	VTDD00491		NUT M 6 TEF	8,00			--
0043	VTVT75726		SCREW TBEI M 6X 16 ISO 7380 ZB	8,00			--
0044	MOCC00008		MOTOR VENTOLA ASPIRAZ.TK1200	2,00			--
0045	GUVR46899		GASKET COPERCHIO	1,00			--
0046	LAFN01031		FRAME FISSA FILTRO	2,00			--
0047	MOCC00004		MOTOR D.63 24V G3800 W35	2,00			--
0048	VTVT47138		SCREW TSP-TC 3,9X32 ZC. UNI6955	8,00			--
0049	LAFN47139		MOTOR COVER L.14 FILT.	4,00			--
0050	VTVT75731		SCREW UNI 5923 6 X5	4,00			--
0051	LAFN47140		BUSHING L.14	4,00			--
0052	VTVT76616		SCREW M 4x18 STEAM GUN	12,00			--
0053	MFVR47141		FLANGE MOTOR L.14	4,00			--
0054	MPVR00765		RUBBER FISSAGGIO FILO SCUOTIFIL.	2,00			--
0055	MOCC45112		MOTOR 24V CC ECC.	2,00			--
0056	VTVT47143		SCREW TSPEI M 10X 16 ZC UNI5933	2,00			--
0057	VTVT13515		SCREW TSPEI M6x16 UNI5933 10.9	8,00			--
0058	FSVR00005		CLAMP TIPO "ECO"FORO MM8 D.1 W0	1,00			--
0059	VTDD00483		NUT M 8 ZIN UNI 5588	4,00			--
0060	VTVT75724		SCREW TBEI M 8X 22 ISO 7380 ZB	2,00			--
0061	VTDD00124		NUT M 8 BASSO	2,00			--
0062	GUGO00305		GASKET ASPIRATORE	2,00			--
0063	ETET01404		LABEL PLANCIA	1,00			--
0064	VTRS00504		WASHER D. 8 TE ZC. UNI 6592	2,00			--



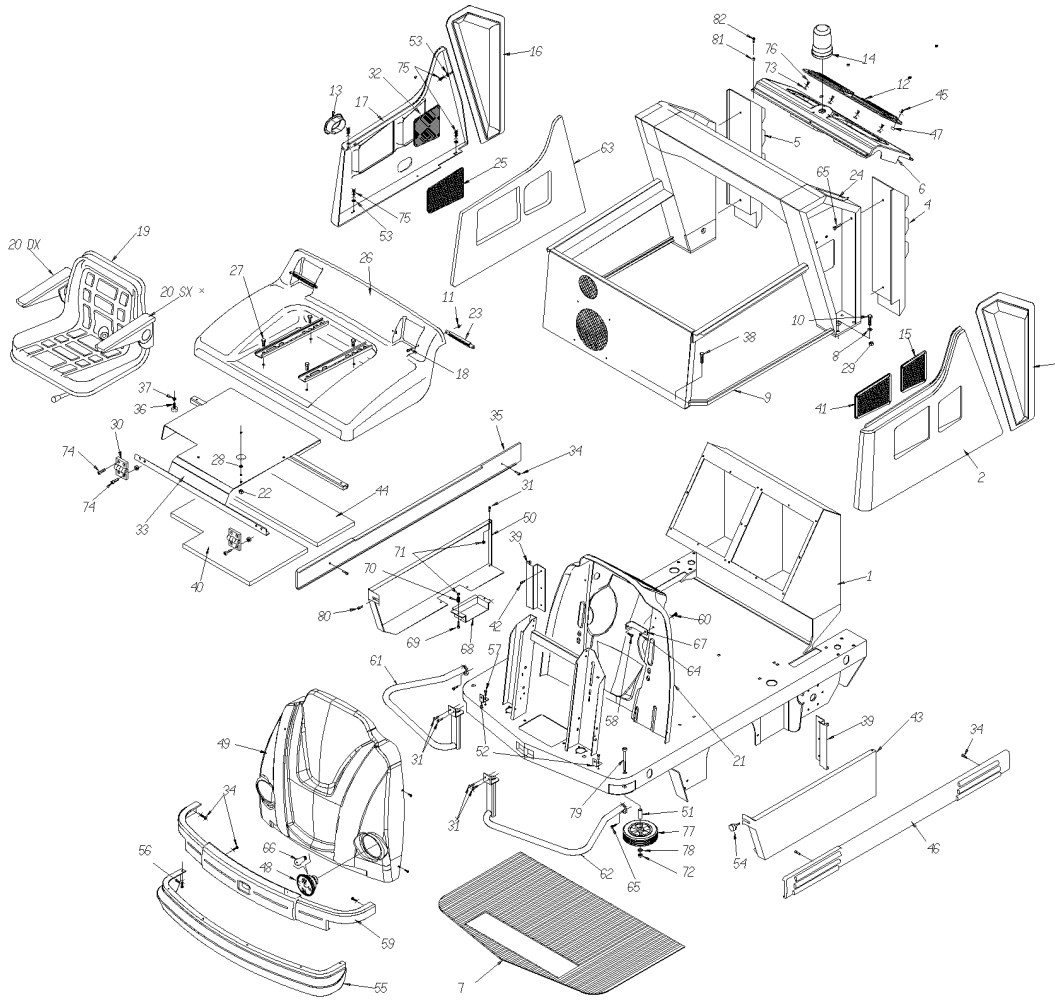
Ref.	K	Part N.	Customer Part N.	Description	Qty	Validity:		Price
						From	To	
0001		LAFN47152		BRACKET PROTEZIONE	1,00			--
0002		LAFN00271		NUT FISSA PULEGGIA ALTERNA.	1,00			--
0003		MTCG44555		BELT HTD 565-5M 25	1,00			--
0004		MTPL45322		PULLEY HTD 40-5M 25 6F TK14	1,00			--
0005		VTVT28307		SCREW TCCE UNI 5931 10X70 ZN	1,00			--
0006		VTVT16260		SCREW TE M 10X160 UNI 5737 ZC	1,00			--
0007		ARGN00004		ALTERNATOR 28V-80A	1,00			--
0008		VTDD00042		NUT AUT.M10 UNI7474	1,00			--
0009		VTRS00503		WASHER D. 6 TE UNI 6798	2,00			--
0010		MFVR47154		CRANKCASE L.14	1,00			--
0011		VTVT63134		SCREW M 8X25 TSPEI ZC UNI 5933	4,00			--
0012		LAFN47155		BRACKET L.14	1,00			--
0013		VTVT62920		SCREW TE F/ROND. M 6X 16 ZB	4,00			--
0014		MTPL45323		PULLEY L.14 6.5HP	1,00			--
0015		MTCR45720		TOOTHED WHEEL Z. 80 P 1.75	1,00			--
0016		LAFN06832		WASHER BLOCCA INGRANAGGIO	1,00			--
0017		VTVT00448		SCREW TE 8X30 UNI5739	1,00			--
0018		MOCC45115		MOTOR 24V 300W SX	1,00			--
0019		VTVT01119		SCREW TCEI 8X20 UNI5931	2,00			--
0020		LAFN47157		SPACER L.14	1,00			--
0021		VTVR47158		KEY 5X 5X41 UNI 6604	1,00			--
0022		LAFN47159		MOTOR PLATE L.14	1,00			--
0023		VTRS00504		WASHER D. 8 TE ZC. UNI 6592	8,00			--
0024		VTDD00124		NUT M 8 BASSO	10,00			--
0025		VTRS00512		WASHER D. 8 X24 ZC.	8,00			--
0026		ABGO00007		VIBRATION DAMP.MM 30X25 8X16	4,00			--
0027		LAFN06796		TUBE ASTA LIVELLO OLIO	1,00			--
0028		VTRS01080		WASHER D. 8 GRW	4,00			--
0029		VTVT00450		SCREW TE 8X40 UNI5739	4,00			--
0030		VTDD00491		NUT M 6 TEF	2,00			--
0031		VEVR47160		IMPELLER ALTER. A.OR.	1,00			--
0032		MOSC47149		ENGINE MOTOR HONDA GX200 QM- 4-OH	1,00			--
0033		MEEV47161		SOLENOID VALVE FUEL	1,00			--
0034		TBBP00021		TUBE COMBUSTIBILE L=80 cm	1,00			--
0036		LAFN06976		SPACER VANO MOTORE	1,00			--
0037		MPVR00280		TANK CARBURANTE TK1400 DIESEL	1,00			--
0038		MPVR47165		TANK CAP C/VALV.	1,00			--
0039		ITSO00045		PANEL ISOLATORE	1,00			--
0040		MPVR47166		PROTECTION L.14 TLR.	1,00			--



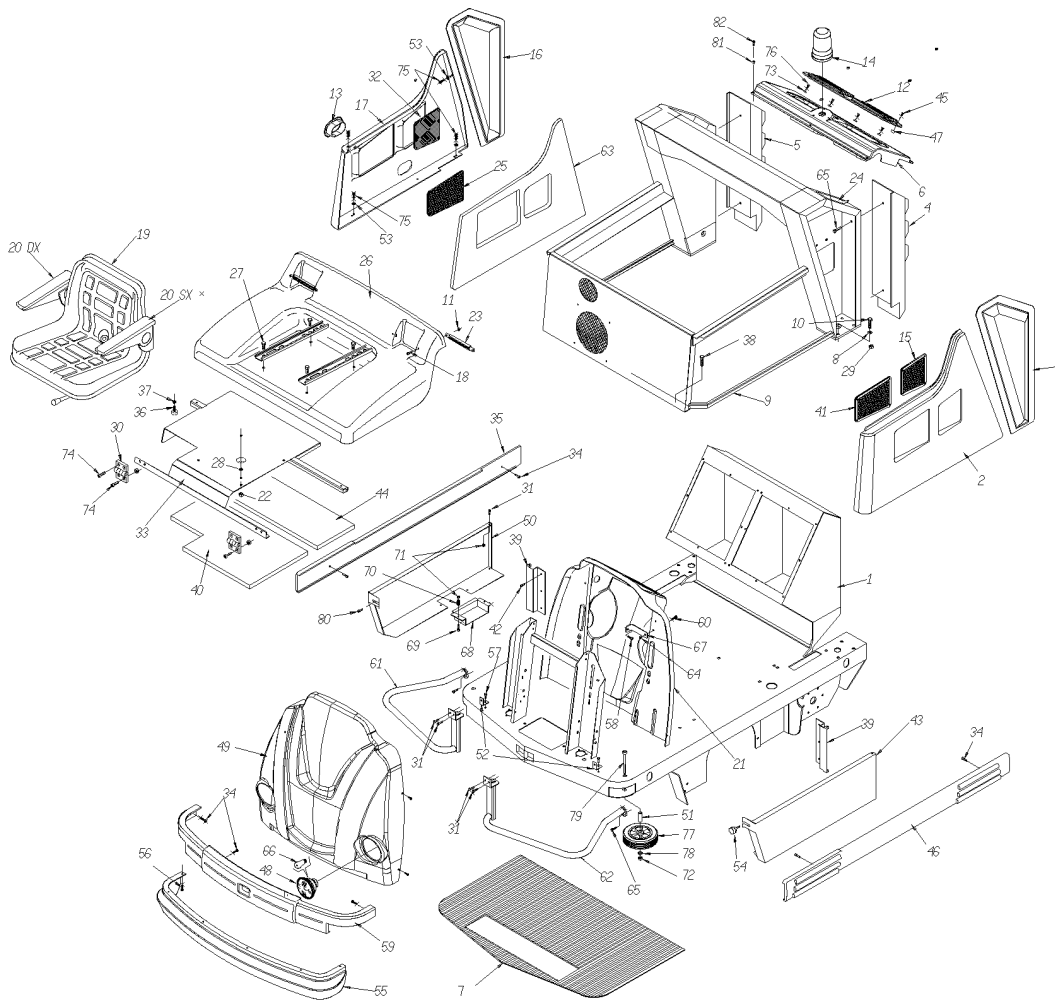
Ref. K	Part N.	Customer Part N.	Description	Qty	Validity:		Price
					From	To	
0041	FSVR00005		CLAMP TIPO "ECO"FORO MM8 D.1 W0	5,00			--
0042	METT45116		CONTACTOR 24V T106 P	2,00			--
0043	LAFN47167		BRACKET L.14	1,00			--
0044	MEVR45117		BALANCER L.14	1,00			--
0045	MEVR45118		CONNECTING ROD L.14	1,00			--
0046	MLML45119		SPRING L.14	1,00			--
0047	MEVR45120		SOLENOID K9B-36DL-1041	1,00			--
0048	LAFN47168		BELT-STRETCHER L.14	1,00			--
0049	MRSC00069		SILENCER HD COMPLETA	1,00			--
0050	VTDD19688		NUT M6 UNI 7473	1,00			--
0051	VTVT00066		SCREW TCCE UNI 5931 8X25 ZB	2,00			--
0052	MECI85110		SWITCH S1.PML.M16	1,00			--
0053	METK47170		PROBE F11-140° NC	1,00			--
0054	LAFN47171		BRACKET L.14 TANK.	1,00			--
0055	VTVT75719		SCREW TE F/ROND. M 6 X 10	2,00			--
0056	VTVT17639		SCREW TCEI M 5X10 UNI 5931	2,00			--
0057	VTRS15958		WASHER D. 5 X15 UNI 6593	2,00			--
0058	VTVT10068		SCREW TC -TC 3X 6 UNI 7687	2,00			--
0059	VTRS27296		WASHER GROWER 3 ZNT	2,00			--
0060	VTVT00107		SCREW TCTC UNI 7687 3X12 ZB	1,00			--
0061	VTDD00001		NUT UNI 5588 M3 ZB	1,00			--
0062	LAFN00009		BRACKET PROTEZIONE	1,00			--
0063	VEVR45113		VENTILATOR 24V RF.	1,00			--
0064	VTVT72043		SCREW M 4 X16 TC UNI7687	8,00			--
0065	MEVR00094		FAIR-LEAD EGP15-20S.60 PAS1	1,00			--
0066	VTDD00482		NUT M 6 ZIN UNI 5588	2,00			--
0067	FTCO34840		FUEL FILTER FB 1	1,00			--
0068	TBBP47172		L.P. HOSE L=300 1/4F -1/4F 0°	1,00			--
0069	RCDS47173		NIPPLE 1/4 -M10X1.25	1,00			--
0070	RCDS00002		CAP 1/4"	1,00			--
0071	FSVR19693		CLAMP D. 7-11	1,00			--
0072	VTVT00005		SCREW TE FR 5X12 ZB	5,00			--
0073	LAFN01091		HOSE FITTING SERBATOIO CARBURANTE 1400	1,00			--
0074	GUVR47174		GASKET L.14	2,00			--
0075	FSVR19692		CLAMP D. 11-16 VT	9,00			--
0076	VTDD00039		NUT AUTOBLOCCANTE M4	8,00			--
0077	VTDD00491		NUT M 6 TEF	4,00			--
0078	GUVR45977		GASKET L.14	1,00			--
0079	LAFN45978		CONVEYOR L.14	1,00			--



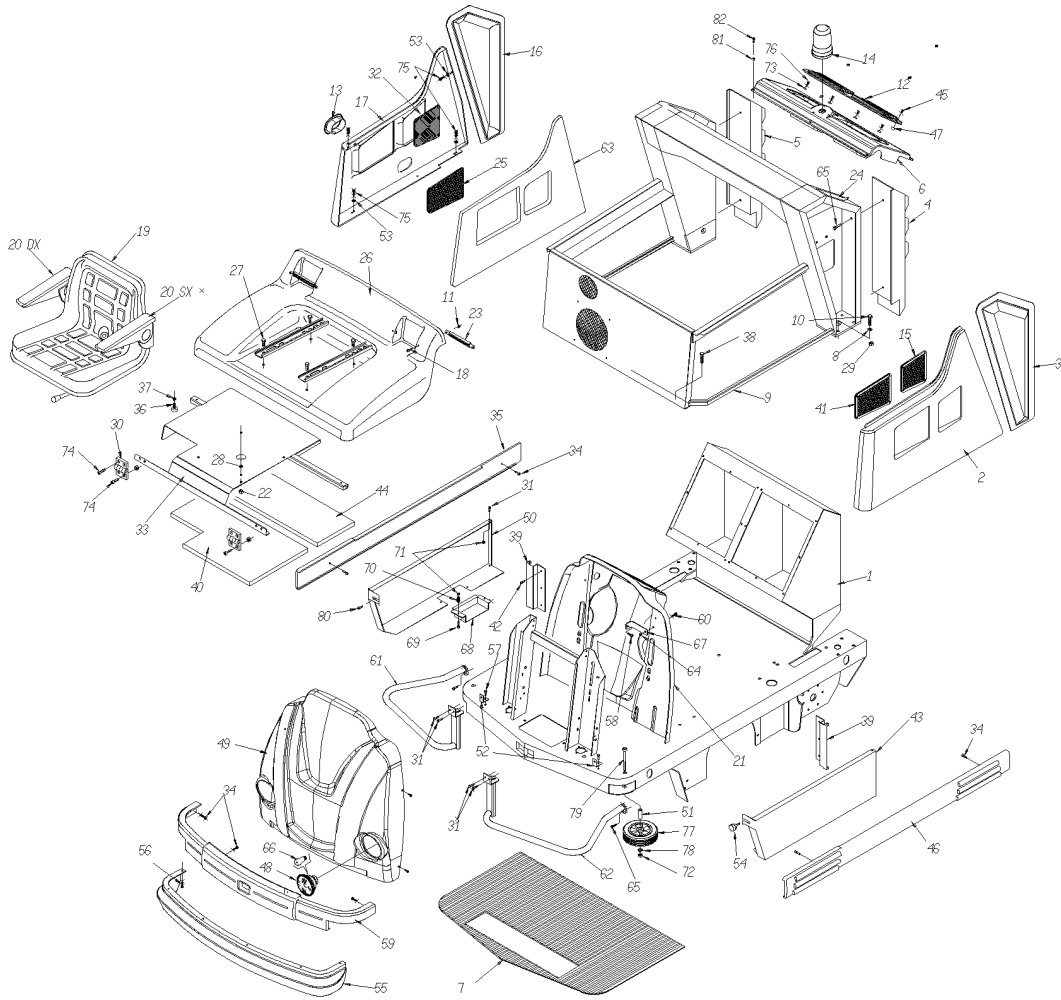
Ref. K	Part N.	Customer Part N.	Description	Qty	Validity:		Price
					From	To	
0080	VTVT75726		SCREW TBEI M 6X 16 ISO 7380 ZB	4,00			--
0081	VTVT75725		SCREW TBEI M 6X 10 ISO 7380 ZB	2,00			--
0082	TBBP00022		TUBE COMBUSTIBILE L=50cm	1,00			--
0083	TBBP00022		TUBE COMBUSTIBILE L=50cm	1,00			--
0084	RCVR00083		CONNECTOR A "T"	1,00			--
0085	LAFN06977		SHEET METAL PA.PARATIA VANO MOTORE	1,00			--
0086	ITSO00044		PANEL ISOLATORE PORTASEDILE	1,00			--
0087	MOCC00283		IMPELLER VANO MOTORE	1,00			--
0088	LAFN06301		BRACKET PROTEZIONE	1,00			--
0089	ITSO00050		PANEL ISOLATORE	1,00			--
0090	ITSO00048		PANEL ISOLATORE	1,00			--
0091	VTVT01532		SCREW TE 6X25 UNI5739	2,00			--
0092	LAFN06975		CONVEYOR ARIA	1,00			--
0093	VTVT62920		SCREW TE F/ROND. M 6X 16 ZB	4,00			--
0094	LAFN06980		SHEET METAL PA.PARZIALIZZATORE	1,00			--
0095	VTDD86633		NUT AUTO BLOCK M6 DIN 985	2,00			--
0096	ITSO00049		PANEL ISOLATORE	1,00			--
0097	ITSO00007		PANEL FONOASS.MEZZALUNA DIESEL	2,00			--
0098	RCDS00002		CAP 1/4"	1,00			--
0099	LAFN06838		BRACKET FISSA ASTA OLIO	1,00			--
0100	MPVR04911		RUBBER ASTA LIVELLO OLIO	1,00			--
0101	TBBP00383		ROD LIVELLO OLIO	1,00			--



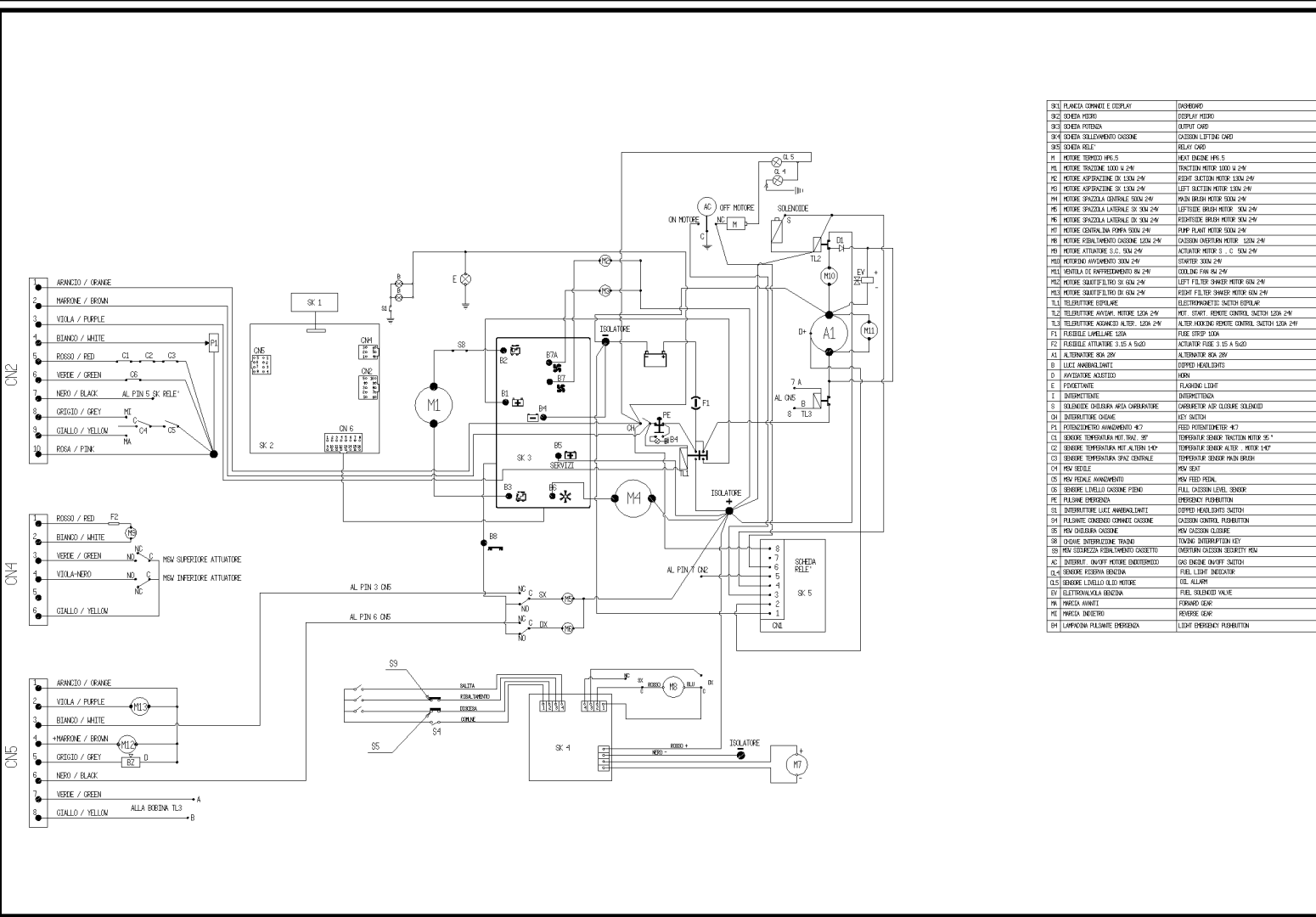
Ref.	K	Part N.	Customer Part N.	Description	Qty	Validity: From To	Price
0001		LAFN45969		BODY LION 14000	1,00		--
0002		MPVR04679		BODY SIDE SX	1,00		--
0003		MPVR00234		UPRIGHT SPALLA SX	1,00		--
0004		MPVR00229		BUMPER POSTERIORE SX TK1400	1,00		--
0005		MPVR00227		BUMPER POSTERIORE DX TK1400	1,00		--
0006		MPVR04895		COVER ASPIRATORI	1,00		--
0007		MPVR05057		PLANE MILLERIGHE CON BIADESIVO	1,00		--
0008		VTRS00505		WASHER D.10 TE UNI 6592	8,00		--
0009		LAFN45976		SUPPORT L.14	1,00		--
0010		VTVT01535		SCREW TCEI M10X 40 UNI 5931 ZB	8,00		--
0011		VTDD00491		NUT M 6 TEF	6,00		--
0012		MPVR04916		BRACKET COPERCHIO ASPIRATORI	1,00		--
0013		MPVR04698		FRAME FORO	1,00		--
0014		MEVR00935		FLASHING LIGHT G1050	1,00		--
0015		LAFN06590		BRACKET FIANCATA	1,00		--
0016		MPVR00235		UPRIGHT SPALLA DX	1,00		--
0017		MPVR04681		BODY SIDE DX	1,00		--
0018		VTVT75726		SCREW TBEI M 6X 16 ISO 7380 ZB	4,00		--
0019		SESD45981		SEAT SC 73 L.14	1,00		--
0020		SESD00001		KIT BRACCIOLO DX	1,00		--
0020		SESD00002		KIT BRACCIOLO SX	1,00		--
0021		MPVR04891		HOOD POSTERIORE G1404	1,00		--
0022		VTDD00124		NUT M 8 BASSO	4,00		--
0023		KTRI01632		HANDLE COFANO PORTASEDILE	2,00		--
0024		ETET00100		LABEL ADESIVA BENZINA VERDE	1,00		--
0025		LAFN06587		BRACKET FIANCATA	1,00		--
0026		MPVR00258		HOOD SUPERIORE 1400 GR.XDIESEL	1,00		--
0027		VTVT00447		SCREW TE 8X25 UNI5739	4,00		--
0028		VTRS00512		WASHER D. 8 X24 ZC.	8,00		--
0029		VTDD00042		NUT AUT.M10 UNI7474	8,00		--
0030		CEVR85332		HINGE MEB F D.6 TK	2,00		--
0031		VTVT62920		SCREW TE F/ROND. M 6X 16 ZB	6,00		--
0032		LAFN06588		BRACKET FIANCATA	1,00		--
0033		LAFN01018		FRAME PORTASED.TK1400 DIESEL ZN	1,00		--
0034		VTVT01118		SCREW TCEI M 8X16 ZC. UNI 5931	4,00		--
0035		MPVR00225		BUMPER LATERALE DX TK1400	1,00		--
0036		ABGO00008		VIBRATION DAMP.PM 20X20 M6X20	2,00		--
0037		VTDD00482		NUT M 6 ZIN UNI 5588	2,00		--
0038		VTVT62920		SCREW TE F/ROND. M 6X 16 ZB	4,00		--



Ref. K	Part N.	Customer Part N.	Description	Qty	Validity: From To	Price
0039	CEVR45986		HINGE L.14	2,00		--
0040	ITSO00006		PANEL FONOASS.SOTTOSED.DIESEL	1,00		--
0041	LAFN06589		BRACKET FIANCATA	1,00		--
0042	VTVT75719		SCREW TE F/ROND. M 6 X 10	6,00		--
0043	LAFN00724		PLANE LATERALE SX	1,00		--
0044	ITSO00043		PANEL ISOLATORE PORTASEDILE	1,00		--
0045	VTVT72043		SCREW M 4 X16 TC UNI7687	4,00		--
0046	MPVR00226		BUMPER LATERALE SX 1400	1,00		--
0047	VTVR00015		INSERT FILETTATO M4X10 ZIGRINATO	4,00		--
0048	MEVR00135		LANTERN G1400	2,00		--
0049	MPVR04890		HOOD ANTERIORE G1404	1,00		--
0050	LAFN00723		PLANE LATERALE DX	1,00		--
0051	LAFN47011		BUSHING L.14	2,00		--
0052	LAFN06793		BRACKET FISSA FRONTALE	2,00		--
0053	VTRS04026		WASHER D. 6X18X2.38	8,00		--
0054	RTRT00022		HANDWHEEL D.30 M6X15	1,00		--
0055	MPVR00240		CRANKCASE SPOILER ANTERIORE	1,00		--
0056	VTVT00100		SCREW AUTOF.TC UNI 6954 3.9X16	6,00		--
0057	VTVT09916		SCREW TBEI M 6X 20 ISO 7380 ZB	2,00		--
0058	VTVT62920		SCREW TE F/ROND. M 6X 16 ZB	2,00		--
0059	MPVR87170		BUMPER GRIGIO CPL 21201056	1,00		--
0060	VTVT75726		SCREW TBEI M 6X 16 ISO 7380 ZB	2,00		--
0061	LAFN01102		BUMPER ANTERIORE DX	1,00		--
0062	LAFN01103		BUMPER ANTERIORE SX	1,00		--
0063	ITTE00005		PANEL FONOASS.FIAN.LAT.DX DIES.	1,00		--
0064	VTDD00491		NUT M 6 TEF	2,00		--
0065	VTVT63129		SCREW TE F/ROND. M 8X16 ZB	6,00		--
0066	MELF87169		LAMP 12V 35W	2,00		--
0067	LAFN06794		BRACKET FISSA FRONTALE G1404	2,00		--
0068	LAFN46645		PROTECTION L.14 DX	1,00		--
0069	VTVT63029		SCREW TCEI M 6X 35 UNI 5931 ZB	2,00		--
0070	MLML46644		SPRING D. 6	1,00		--
0071	VTDD00491		NUT M 6 TEF	3,00		--
0072	VTDD00042		NUT AUT.M10 UNI7474	2,00		--
0073	VTVR47015		INSERT PLS. D.3	4,00		--
0074	VTVT12255		SCREW TCEI 6X25 UNI5931	4,00		--
0075	VTVT06237		SCREW TCEI 6X20 UNI5931	8,00		--
0076	VTVT00044		SCREW TC AF.X PLAS UNI9707 4X16	4,00		--
0077	RTRT31046		WHEEL D.150 E 350	2,00		--

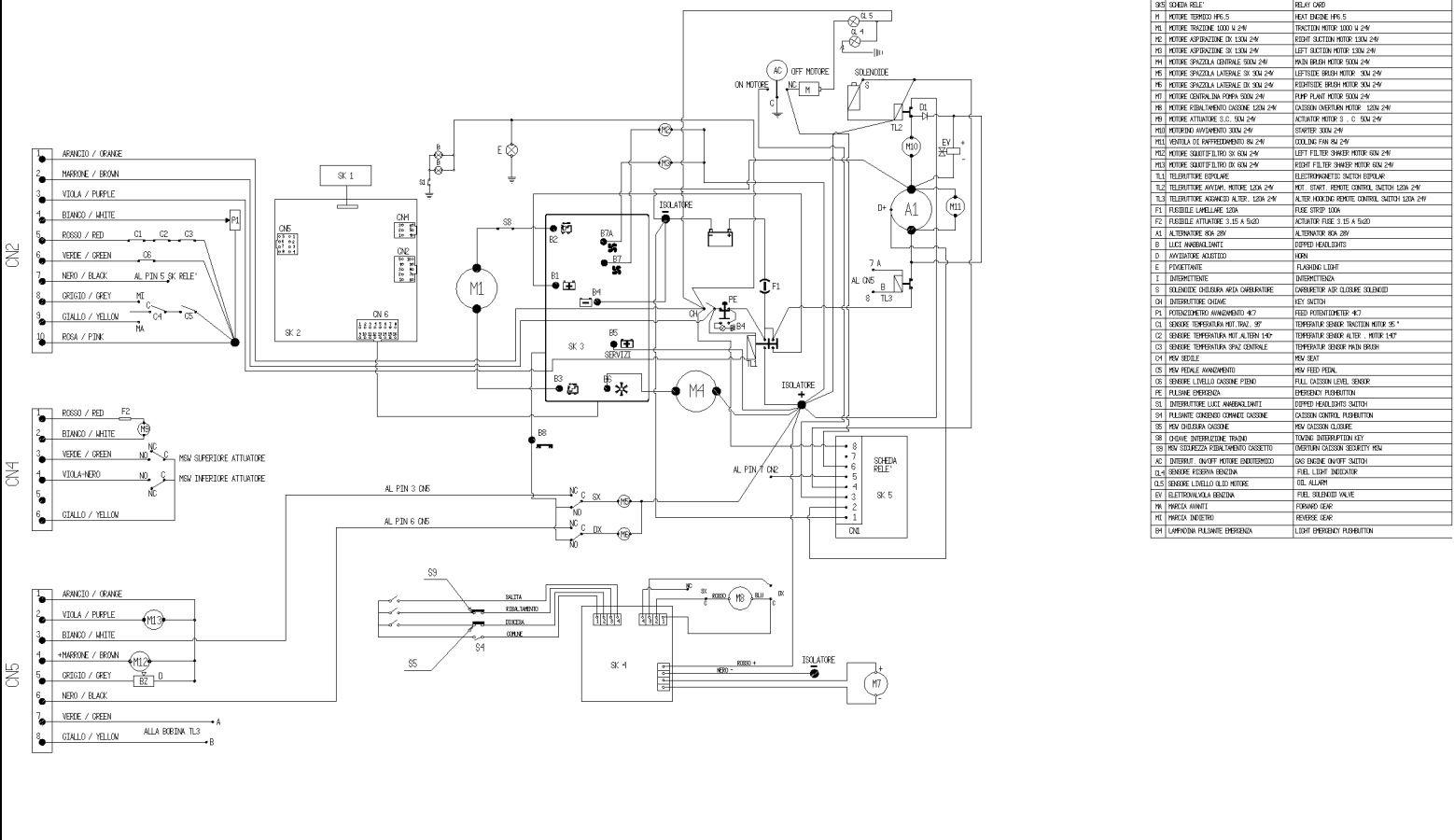


Ref. K	Part N.	Customer Part N.	Description	Qty	Validity:		Price
					From	To	
0078	VTRS00505		WASHER D.10 TE UNI 6592	2,00			--
0079	VTVT04857		SCREW TCEI M 10X70 UNI 5931	2,00			--
0080	VTVT62920		SCREW TE F/ROND. M 6X 16 ZB	1,00			--
0081	VTVR00309		INSERT FILETTATO M5	4,00			--
0082	VTVT45339		SCREW TBEI M 5X 16 ISO 7380 ZB	4,00			--



SK1	PIANO CONSOLE E DISPLAY	CONSOLE
SK2	SOEDA MICRO	DISPLAY MICRO
SK3	SOEDA POTENZA	OUTPUT CAB
SK4	SOEDA SULL'AVVANTO CASSONE	CASSON LIFTING CAB
SK5	SOEDA FUEL	FUEL CAB
M	MOTORE ROTONDO HRS.5	HEAT ENGINE HRS.5
M1	MOTORE TRODINO 1000 V.24V	TRACTION MOTOR 1000 V.24V
M2	MOTORE ASPIRAZIONE DI LENA 24V	HEAT SACTON MOTOR 1000 V.24V
M3	MOTORE ASPIRAZIONE S1 120V 24V	LEFT SACTON MOTOR 1000 V.24V
M4	MOTORE SPAZZOLA CENTRALE 300W 24V	HEAT BRUSH MOTOR 300W 24V
M5	MOTORE SPAZZOLA LATERALE DI 30W 24V	LEFTSIDE BRUSH MOTOR 30W 24V
M6	MOTORE SPAZZOLA LATERALE DI 30W 24V	RIGHTSIDE BRUSH MOTOR 30W 24V
M7	MOTORE CENTRALI DA PMPA 300W 24V	PUMP FLASH MOTOR 300W 24V
M8	MOTORE SIDA PMPATO CASSONE 100W 24V	CASSON OVERDRIV MOTOR 100W 24V
M9	MOTORE ATTUATORE S.C. 30W 24V	ACTUATOR MOTOR S. C. 30W 24V
M10	MOTORE AVANZAMENTO 300W 24V	STARTER 300W 24V
M11	VENTOLA DI RAFFREDDAMENTO 80V 24V	COOLING FAN 80V 24V
M12	MOTORE QUALIFILIRO DI 60W 24V	LEFT FILTER SWAHER MOTOR 60W 24V
M13	MOTORE QUALIFILIRO DI 60W 24V	RIGHT FILTER SWAHER MOTOR 60W 24V
TL1	RELEATTUATORE EPOLEARE	ELECTROMAGNETIC SWITCH DISPLAY
TL2	RELEATTUATORE AVANTI. MOTORE 100W 24V	HEAT SWAHER CONTROL SWITCH 100W 24V
TL3	RELEATTUATORE AVANTI. MOTORE 100W 24V	HEAT SWAHER CONTROL SWITCH 100W 24V
F1	FUSIBILE LAVELLE 150A	FUSE 150A
F2	FUSIBILE ATTUATORE S.15 A 500	ACTUATOR FUSE 3.15 A 500
A1	ALTERNATORE 80V 28V	ALTERNATOR 80V 28V
D	LUCE AVVERTIMENTE	OPTION HEADLIGHTS
CH	AVVERTORE ACCESSO	IGN
E	FOCETTANTE	FLASHING LIGHT
T	INTERMITTENTE	INTERMITTENT
S	SENSORIO CASSONE ARIA OVERDRIVE	CASSONER AIR CLOSURE SENSOR
CH	INTERRUTTORE CASSONE	HEAT SWITCH
PL	POTENZIOMETRO AVANZAMENTO 4-7	FUEL POTENTIOMETER 4-7
CL	SENSORIO TEMPERATURA MIT. TRAZ. 30"	TEMPERATURE SENSOR TRACTION MOTOR 30"
CL2	SENSORIO TEMPERATURA MIT. ALLEN. 140"	TEMPERATURE SENSOR ALLEN. MOTOR 140"
CL3	SENSORIO TEMPERATURA SPZ. CASSONE	TEMPERATURE SENSOR PMPA CAB
CH	RMV SEDE	RMV SEAT
CS	RMV PEDALE AVANZAMENTO	RMV FEED PEDAL
CS	SENSORIO LIVELLO CASSONE PIENO	FULL CASSON LEVEL SENSOR
PE	FLUSO EMERGENZA	EMERGENCY RESETTON
SL	INTERRUTTORE LUCE AVVERTIMENTE	OPTION HEADLIGHTS SWITCH
SK4	FUSIBILE CASSONE CONSOLE CASSONE	CASSON CONTROL FUSIBLATION
SK5	RMV CASSONE CASSONE	RMV CASSON CLOSURE
SK6	CSOME OVERDRIVE TRAZIO	FANING STARTER PMPA 10V
SK7	RMV SERRAZZA PAVILAMENTO CASSONE	OVERDRIV CASSON SECURITY RMV
AC	INTERR. ON/OFF MOTORE DOKERENDO	OS ENGINE ON/OFF SWITCH
CL4	SENSORIO PRESSIONE BENZINA	FUEL LIGHT INDICATOR
CL5	SENSORIO LIVELLO OIL MOTORE	OIL ALERT
SV	ELETTROVALVOLA BENZINA	FUEL SOLENOID VALVE
MA	MARCA AVANTI	FORWARD IERP
MI	MARCA INDIETRO	REVERSE IERP
B1	LAMPADINA FUSIBILE EMERGENZA	LIGHT EMERGENCY FUSIBLATION

Ref. K	Part N.	Customer Part N.	Description	Qty	Validity: From To	Price
A1	ARGN00004		ALTERNATOR 28V-80A	1,00	--	--
AC	MECI75945		COMMUTAT.SWITCH3 POS. TK	1,00	--	--
C1	MECI00035		DASHBOARD DI TEMPERATURA F11-95 NC	1,00	--	--
C2	METK47170		PROBE F11-140° NC	1,00	--	--
C5	MECB00124		WIRING pedale acceleratore G1050	1,00	--	--
CH	MECI75805		SWITCH TK	1,00	--	--
CL4	MECI85110		SWITCH S1.PML.M16	1,00	--	--
D	MEVR47083		KLAXON L.14 24V	1,00	--	--
E	MEVR00935		FLASHING LIGHT G1050	1,00	--	--
EV	MEEV47161		SOLENOID VALVE FUEL	1,00	--	--
F1	MEVR01925		FUSE 150A	1,00	--	--
F2	MEVR00079		FUSE 3.15A 250V 5X20	1,00	--	--
M	MOSC47149		ENGINE MOTOR HONDA GX200 QM- 4-OH	1,00	--	--
M1	RDGR45088		MOTOR.GEARBOX DV 1400 24V	1,00	--	--
M10	MOCC45115		MOTOR 24V 300W SX	1,00	--	--
M11	VEVR45113		VENTILATOR 24V RF.	1,00	--	--
M12	MOCC45112		MOTOR 24V CC ECC.	1,00	--	--
M13	MOCC45112		MOTOR 24V CC ECC.	1,00	--	--
M2	MOCC00008		MOTOR VENTOLA ASPIRAZ.TK1200	1,00	--	--
M3	MOCC00008		MOTOR VENTOLA ASPIRAZ.TK1200	1,00	--	--
M4	MOCC00275		MOTOR SPAZZOLA CENTRALE	1,00	--	--
M5	RDGR44777		MOTOR.GEARBOX AOMP140 24V 90W SX	1,00	--	--
M6	RDGR44776		MOTOR.GEARBOX AOMP140 24V 90W DX	1,00	--	--
M7	PPEL45108		MOTOR-DRIV.PUMPIDR. 24V L.14	1,00	--	--
M8	RDGR31335		MOTOR.GEARBOX L. 70TE	1,00	--	--
M9	PMQE00017		ATUATOR SPAZZOLA CENTRALE	1,00	--	--
MA	MECI00337		SWITCH A LEVA	1,00	--	--
MI	MECI00337		SWITCH A LEVA	1,00	--	--
P1	MECE00427		BOARD MICRO	1,00	--	--
PE	MECI00028		BUTTON DI EMERGENZA TK1400 24V	1,00	--	--
S	MEVR45120		SOLENOID K9B-36DL-1041	1,00	--	--
S1	MECI76658		COMMUTAT.SWITCH2 P. TK	1,00	--	--
S4	MECI00026		BUTTON PIATTO ROTONDO D.22 ROSSO	1,00	--	--
S5	MECI44780		MICROSWITCH D2VW-5L2A-1M OMR	1,00	--	--
S8	AZMC75803		DIASASS.SPANNERSW 1000	1,00	--	--
S9	MECI44780		MICROSWITCH D2VW-5L2A-1M OMR	1,00	--	--
SK1	MECE00427		BOARD MICRO	1,00	--	--
SK2	MECE00427		BOARD MICRO	1,00	--	--
SK3	MECE00419		BOARD POTENZA COMPLETA	1,00	--	--



Ref.	K	Part N.	Customer Part N.	Description	Qty	Validity: From To	Price
SK4		MECE00420		BOARD POTENZA CASSETTO COMPL.	1,00	--	--
SK5		MECE45124		PCB RELE' L.1400	1,00	--	--
TL1		MECI00037		CONTACTOR TL22 P V 24V	1,00	--	--
TL2		METT45116		CONTACTOR 24V T106 P	1,00	--	--
TL3		METT45116		CONTACTOR 24V T106 P	1,00	--	--