



IPC Integrated Professional Cleaning

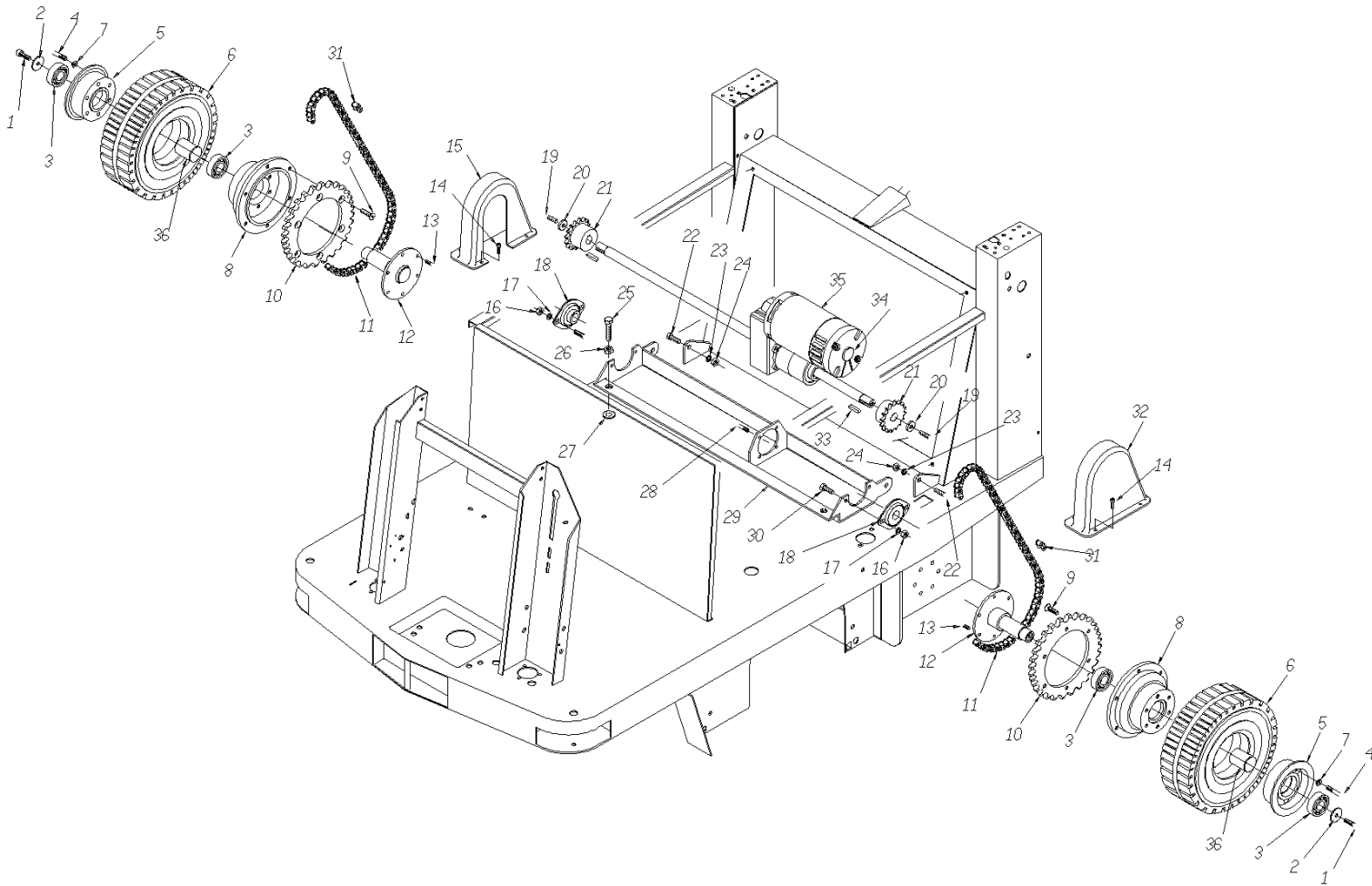
IPCGansow

Spare Parts List

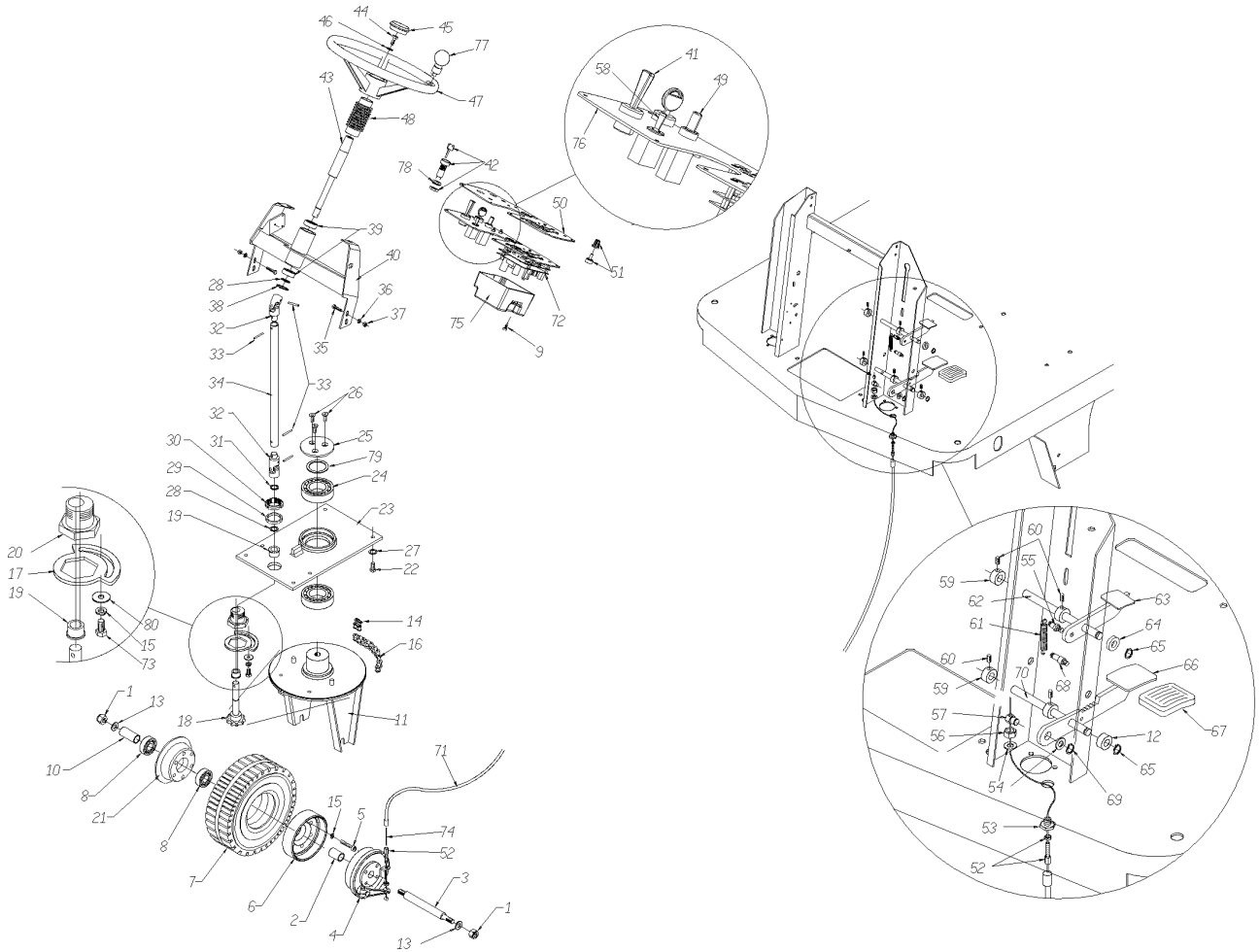
TAVERNARO AG

Ref: MSUB00273

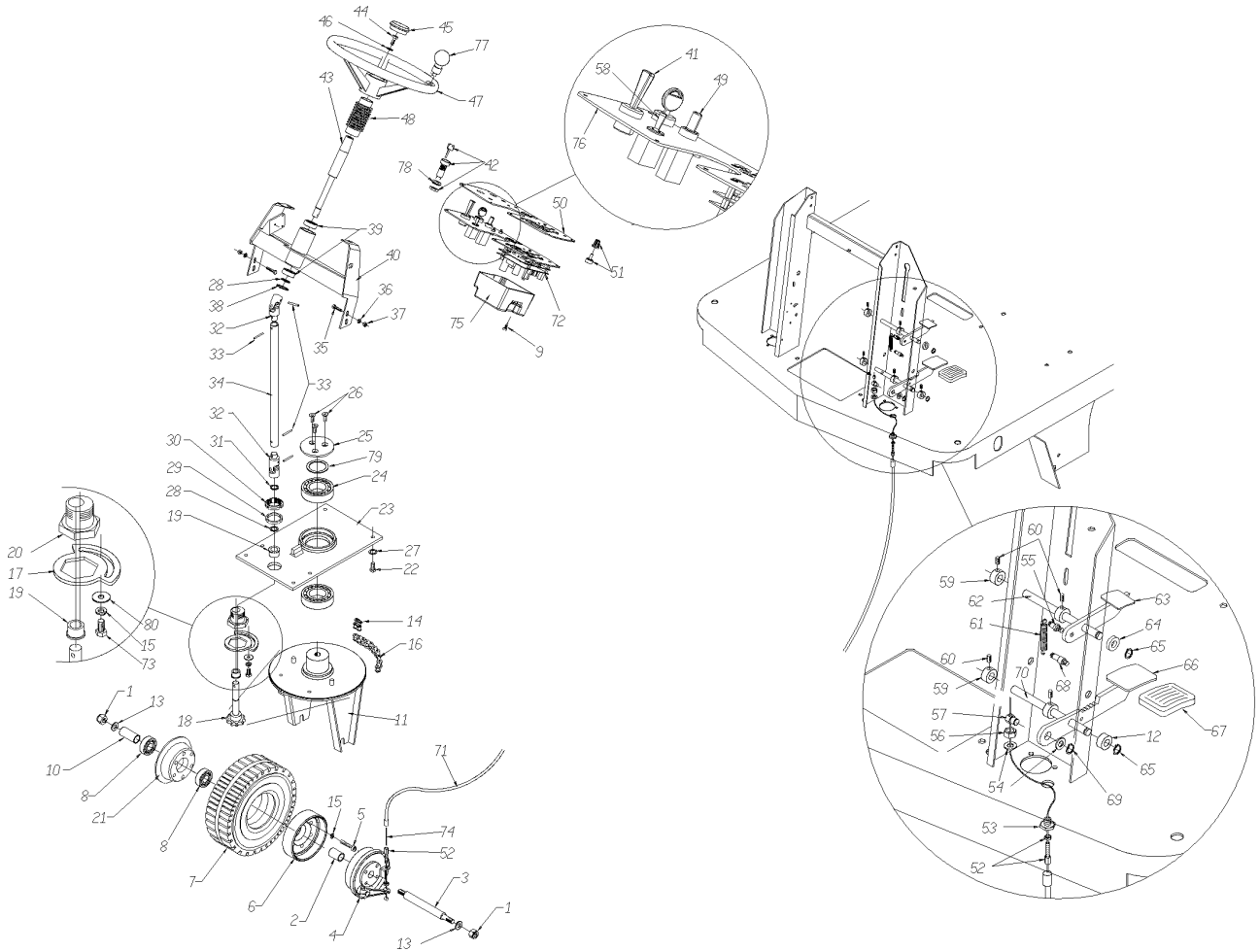
Model: Spazzatrice G 1202DP gr/gr 2SP SA+L IPC



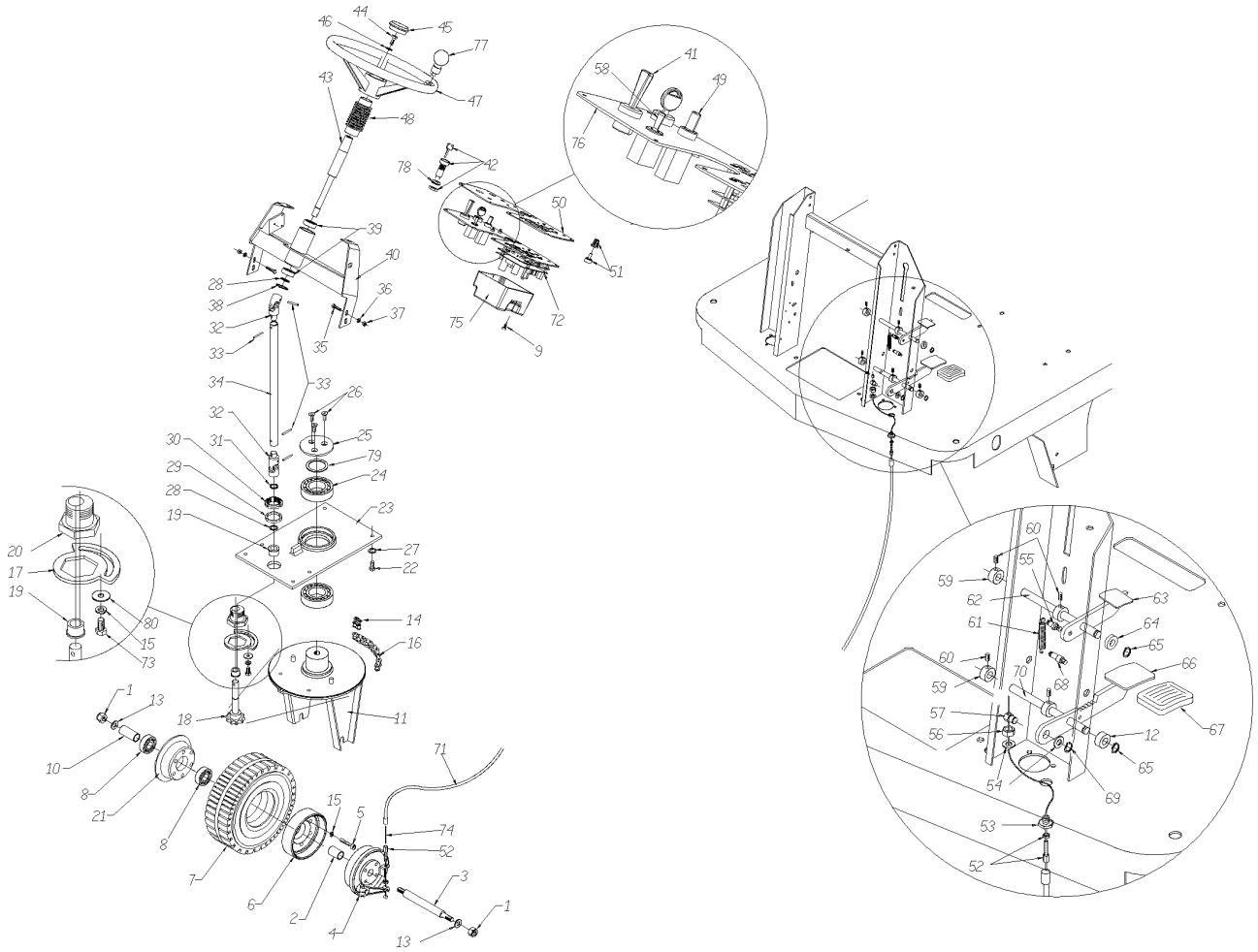
Ref. K	Part N.	Customer Part N.	Description	Qty	Validity:		Price
					From	To	
0001	VTVT87271		SCREW TBEI M 8X 16 ISO 7380	1,00			--
0002	VTRS00512		WASHER D. 8 X24 ZC.	2,00			--
0003	CUVR00008		BEARING 6003 2RS	4,00			--
0004	VTVT00066		SCREW TCCE UNI 5931 8X25 ZB	10,00			--
0005	LAFN85290		HUB SW 1000 22501004	2,00			--
0006	KTRI75744		REAR WHEELS TK1000	2,00			--
0007	VTRS01080		WASHER D. 8 GRW	10,00			--
0008	LAFN00633		HUB PORTACORONA TK1300	2,00			--
0009	VTVT00061		SCREW TSCE UNI 5933 6X20 ZB	10,00			--
0010	MTCR00002		BRAKE TRAZIONE RUOTE	2,00			--
0011	MTCR00004		CHAIN TRASMISSIONE TK1300/1200	2,00			--
0012	LAFN00317		FLANGE CON PERNO RUOTA POST.	2,00			--
0013	VTVT45340		SCREW TSPEI 8X16 UNI5933	12,00			--
0014	VTVT09913		SCREW TCEI 6X16 UNI5931	4,00			--
0015	MPVR00259		CRANKCASE PROTEZIONE CATENA DX 1300	1,00			--
0016	VTDD00124		NUT M 8 BASSO	4,00			--
0017	VTRS00504		WASHER D. 8 TE ZC. UNI 6592	4,00			--
0018	LAFN87166		SUPPORT	2,00			--
0019	VTVT29810		SCREW TCEI M 8X20 UNI 5931	2,00			--
0020	VTRS00512		WASHER D. 8 X24 ZC.	2,00			--
0021	MTIG00035		PINION DIFFERENZ.Z22 P66.93 1300	2,00			--
0022	VTVT00456		SCREW TE 10X25 UNI5739	2,00			--
0023	VTRS00505		WASHER D.10 TE UNI 6592	4,00			--
0024	VTDD00042		NUT AUT.M10 UNI7474	2,00			--
0025	VTVT00068		SCREW TE UNI 5739 10X60 ZB	2,00			--
0026	VTDD00484		NUT M10 ZIN UNI 5588	2,00			--
0027	LAFN47016		SPACER L.14	2,00			--
0028	VTVT62920		SCREW TE F/ROND. M 6X 16 ZB	4,00			--
0029	LAFN00771		SUPPORT DIFFERENZIALE TK1300 ZINC	1,00			--
0030	VTVT29810		SCREW TCEI M 8X20 UNI 5931	4,00			--
0031	MTCR47037		WARP KNITTING 3/8	2,00			--
0032	MPVR00260		CRANKCASE PROTEZIONE CATENA SX 1300	1,00			--
0033	VTVR28706		KEY 6X 6X20 UNI 6604A	2,00			--
0034	MECI00035		DASHBOARD DI TEMPERATURA F11-95 NC	1,00			--
0035	MOCC00007		MOTOR.GEARBOX TRAZIONE TK1300 DP	1,00			--
0036	LAFN00275		SPACER INTERNO RUOTA POST.TK1300	2,00			--



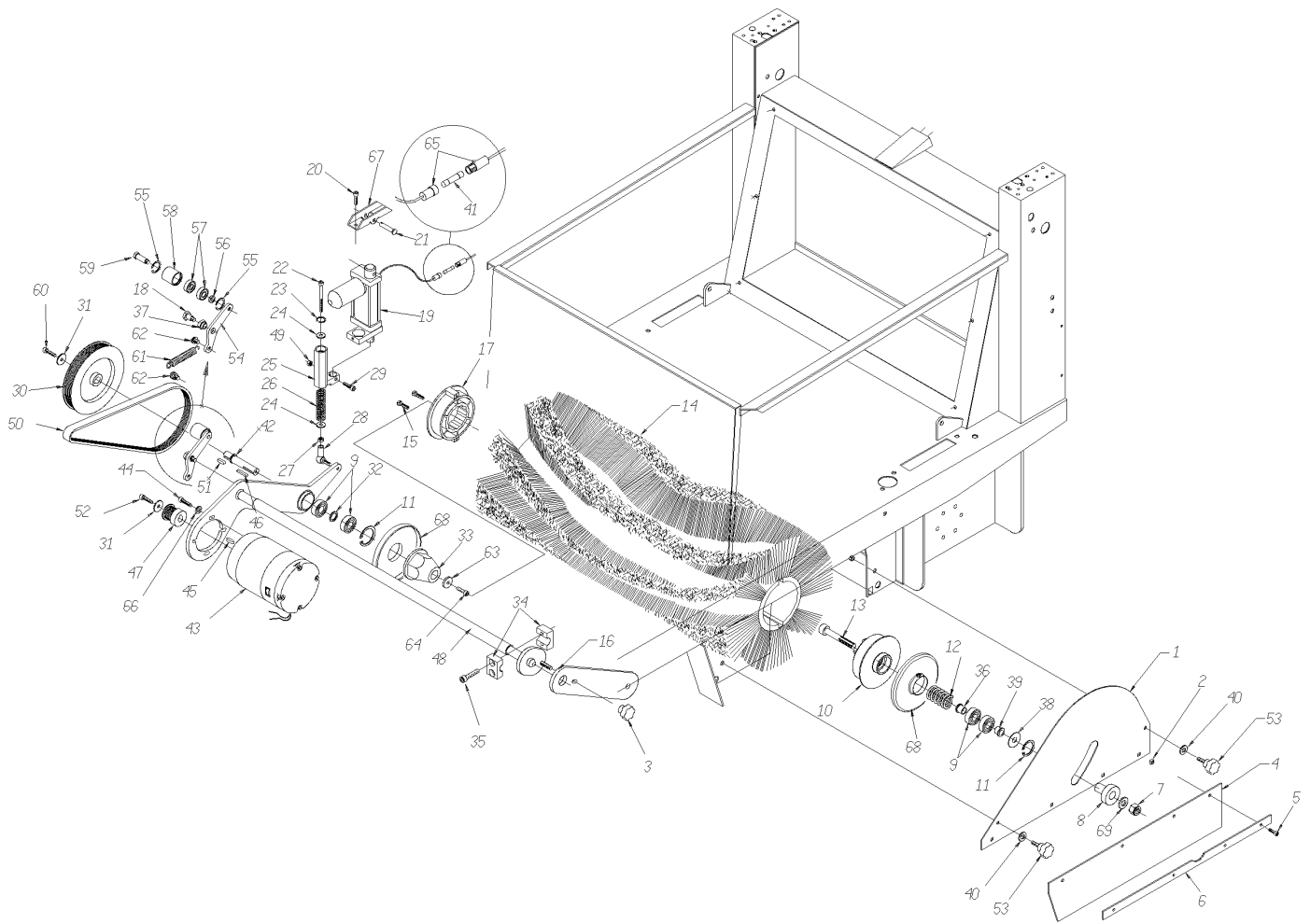
Ref.	K	Part N.	Customer Part N.	Description	Qty	Validity: From To	Price
0001		VTDD00012		NUT AUTOBLOK DIN 985 M12 ZB	2,00		--
0002		LAFN00265		SPACER RUOTA ANT.LATO FRENO 1000	1,00		--
0003		LAFN87163		PIN	1,00		--
0004		PMVR00231		BRAKE G1202	1,00		--
0005		VTVT29810		SCREW TCEI M 8X20 UNI 5931	5,00		--
0006		LAFN85291		HUB SW 1000 22501002	1,00		--
0007		KTRI75744		REAR WHEELS TK1000	1,00		--
0008		CUVR00005		BEARING 6202 2RS	2,00		--
0009		VTVT00288		SCREW TCTC 4X10	2,00		--
0010		LAFN00264		SPACER RUOTA ANTERIORE TK1000	1,00		--
0011		LAFN00853		SUPPORT RUOTA ANTER.MODIF.ZINC.	1,00		--
0012		LAFN47019		BUSHING L.14	1,00		--
0013		VTRS00506		WASHER D.12 UNI 6592	2,00		--
0014		MTCR47037		WARP KNITTING 3/8	2,00		--
0015		VTRS01080		WASHER D. 8 GRW	5,00		--
0016		MTCR00005		CHAIN STERZO TK1300/1200 3/8"	1,00		--
0017		LAFN47039		FLANGE L.14	1,00		--
0018		KTRI46514		PIN TK 1000 + BUSCH.	1,00		--
0019		LAFN75841		BUSHING TK 1000	2,00		--
0020		LAFN75842		BUSHING TK 1000	1,00		--
0021		LAFN85290		HUB SW 1000 22501004	1,00		--
0022		VTVT00447		SCREW TE 8X25 UNI5739	6,00		--
0023		LAFN00318		FLANGE FISSAG.RUOTA ANT.1300 ZIN	1,00		--
0024		CUVR75816		BEARING 51112	2,00		--
0025		LAFN47004		FLANGE TK1400	1,00		--
0026		VTVT00014		SCREW TE UNI 5739 8X20 CL.10.9	3,00		--
0027		VTRS01080		WASHER D. 8 GRW	6,00		--
0028		LAFN47020		THICKNESS D.15X22X1.0	5,00		--
0029		LAFN75913		SPACER TK	1,00		--
0030		VTVR75747		RING NUT AUTOBLOK M 35 X 1,5 GUK	1,00		--
0031		VTAE17003		CIRCLIP D. 15 UNI 7435	1,00		--
0032		VTVR47021		ARTICULATION D. 5-15	2,00		--
0033		VTVR46987		ELASTIC PLUG 5X25 UNI 6873	2,00		--
0034		ALTR00035		SHAFT STERZO G1200-G1300 ZINC.	1,00		--
0035		VTVT62920		SCREW TE F/ROND. M 6X 16 ZB	4,00		--
0036		VTRS04026		WASHER D. 6X18X2.38	4,00		--
0037		VTDD00491		NUT M 6 TEF	4,00		--
0038		VTAE17003		CIRCLIP D. 15 UNI 7435	1,00		--
0039		CUVR00005		BEARING 6202 2RS	2,00		--



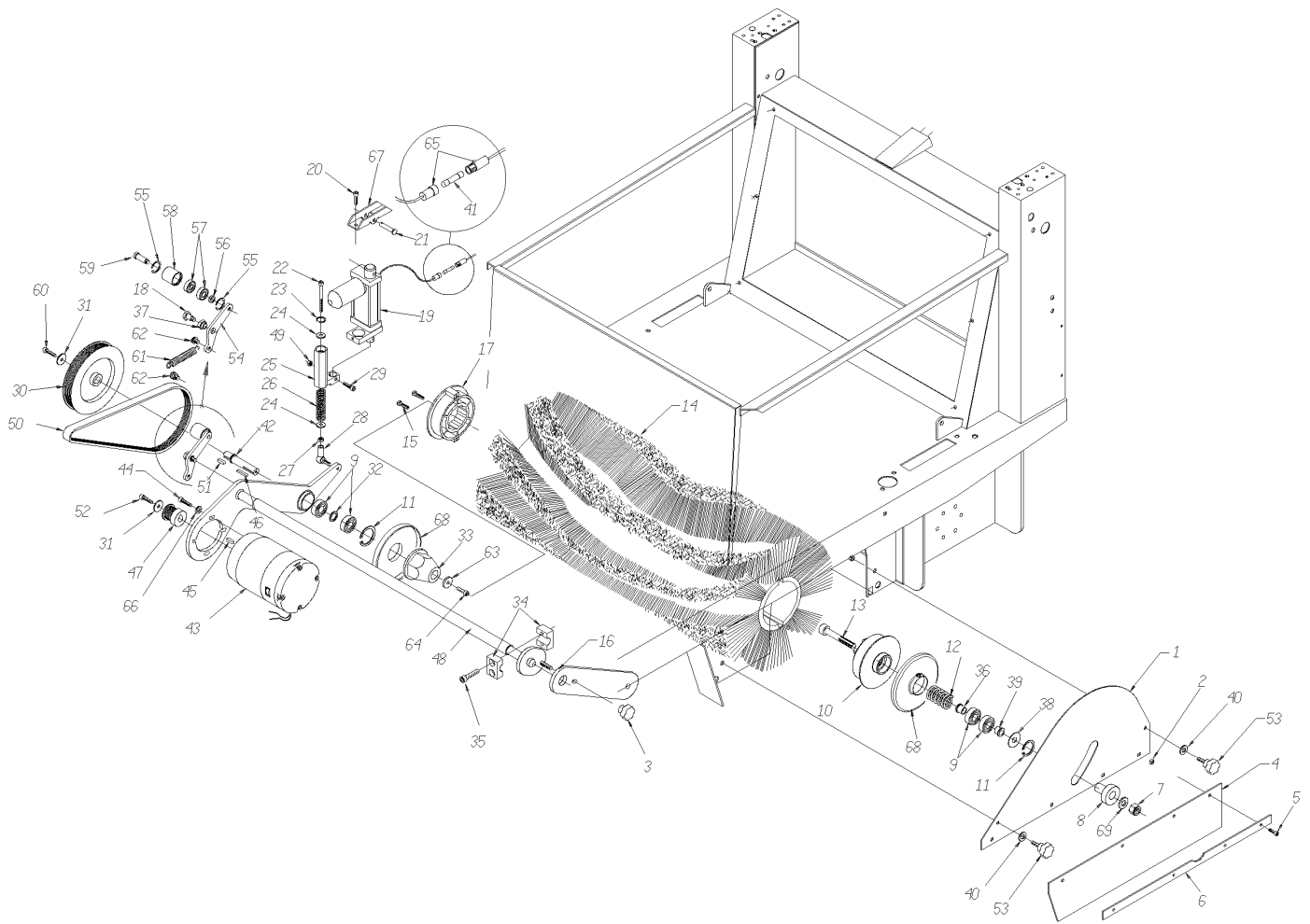
Ref. K	Part N.	Customer Part N.	Description	Qty	Validity:		Price
					From	To	
0040	LAFN06791		ASSEMBLED SUPPORTO PIANTONE	1,00			--
0041	MECI00337		SWITCH A LEVA	1,00			--
0042	MECI75805		SWITCH TK	1,00			--
0043	LAFN47024		UP STEERING L.14	1,00			--
0044	VTVT00642		SCREW TE 10X30	1,00	05/2006		--
0044	VTVT47025		SCREW TBEI M 10X 16 ISO 7380 ZB	1,00		05/2006	--
0045	MPVR47026		BLACK CAP L.14	1,00			--
0046	VTRS44254		WASHER D.10 X40X2.5 UNI6593	1,00			--
0047	MPVR47027		STEERING WHEEL D. 320 L.14	1,00			--
0048	MPVR47066		PROTECTOR L.14	2,00			--
0049	MECI75945		COMMUTAT.SWITCH3 POS. TK	1,00			--
0050	ETET01403		LABEL PLANCIA	1,00			--
0051	MECE00016		PCB MICRO + DISPLAY	1,00			--
0052	CMCV75723		REGISTER D.7	1,00			--
0053	LAFN75975		PIN TK	1,00			--
0054	VTRS00506		WASHER D.12 UNI 6592	2,00			--
0055	LAFN47029		PIN CH.10 H.16	1,00			--
0056	VTDD01682		NUT M12 ZC UNI 5588	1,00			--
0057	LAFN75973		PIN FLAP TK	1,00			--
0058	MECI76658		COMMUTAT.SWITCH2 P. TK	1,00			--
0059	LAFN47030		BUSHING L.14	3,00			--
0060	VTVT75731		SCREW UNI 5923 6 X5	3,00			--
0061	MLML75960		SPRING D. 8 X1 X32	1,00			--
0062	LAFN47031		PIN L.14	1,00			--
0063	LAFN47032		PEDALE L.14	1,00			--
0064	LAFN47033		BUSHING L.14	1,00			--
0065	VTAE87276		SEEGER EXT. D10 DIN471	2,00			--
0066	LAFN47034		BRAKE PEDAL L.14	1,00			--
0067	MPVR45096		RUBBER V 1201 GR.	1,00			--
0068	LAFN47035		PIN CH.10 H.26	1,00			--
0069	VTAE14016		CIRCLIP D. 12 UNI 7435	1,00			--
0070	LAFN47036		PIN BRK.+FLAP L.14	1,00			--
0071	CMCV75904		BRAKE SHEATH TK 1000E/S	1,00			--
0072	MECE00016		PCB MICRO + DISPLAY	1,00			--
0073	VTVT01110		SCREW TE 8X16 UNI5739	1,00			--
0074	CMCV85320		CABLE D.2,5 L.760 21251003	1,00			--
0075	MPVR00878		FAN COVER MICRO	1,00		04/2006	--
0075	MPVR04902		COVER SCHEDA MICRO	1,00	04/2006		--
0076	LAFN06792		BOARD COMANDI	1,00			--



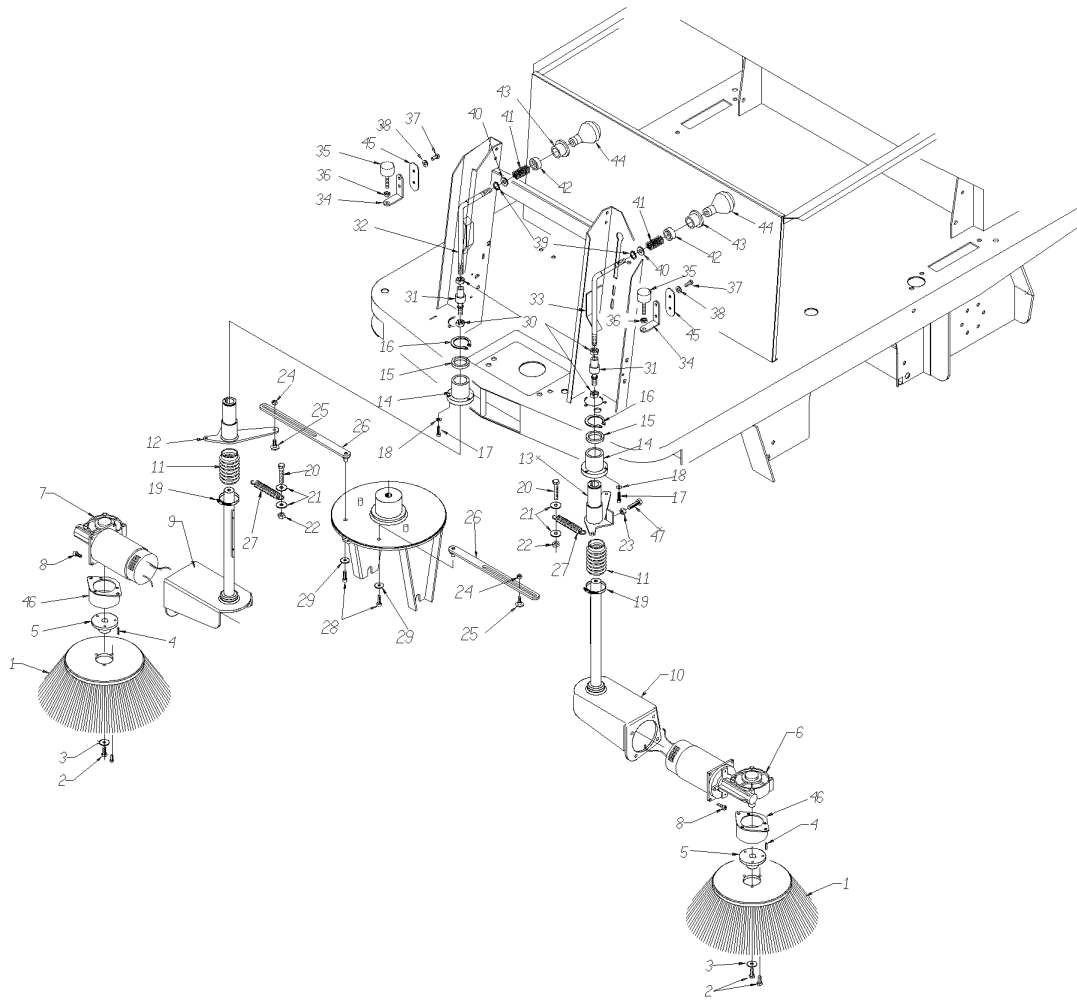
Ref. K	Part N.	Customer Part N.	Description	Qty	Validity:		Price
					From	To	
0077	MPVR47040		KNOB L.14	1,00			--
0078	VTRS00023		WASHER DENTATA INT.UNI 6798 D.18	1,00			--
0079	LAFN00912		THICKNESS STERZO	1,00			--
0080	VTRS00512		WASHER D. 8 X24 ZC.	1,00			--



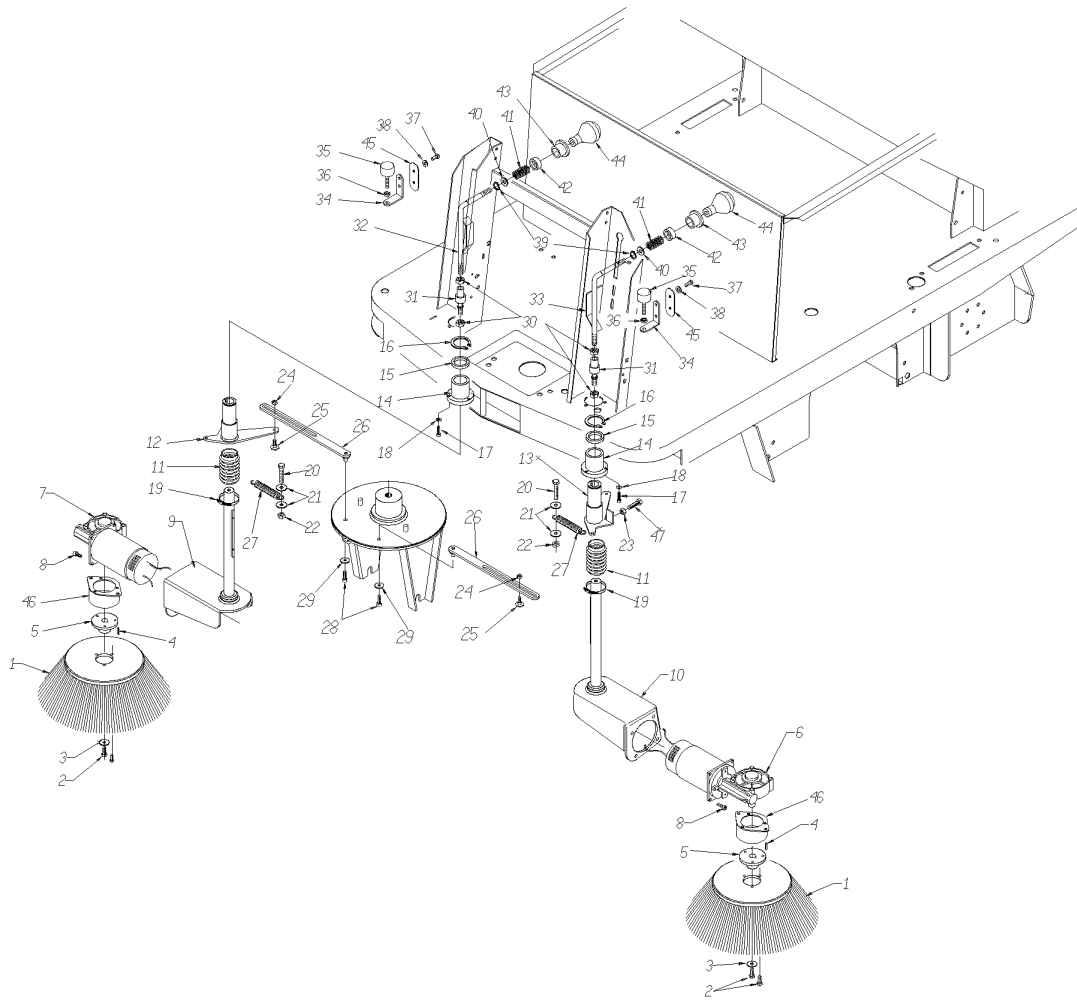
Ref. K	Part N.	Customer Part N.	Description	Qty	Validity:		Price
					From	To	
0001	LAFN06827		PLANE SPAZZOLA CENTRALE	1,00			--
0002	VTVR47015		INSERT PLS. D.3	4,00			--
0003	VTVR00047		HANDWHEEL D.50 M8	1,00			--
0004	MPVR05017		FLAP -	1,00			--
0005	VTVT00044		SCREW TC AF.X PLAS UNI9707 4X16	4,00			--
0006	LAFN06826		SHEET METAL PA.FLAP	1,00			--
0007	VTDD00012		NUT AUTOBLOK DIN 985 M12 ZB	1,00			--
0008	LAFN06836		PIN CENTRAGGIO PROTEZIONE	1,00			--
0009	CUVR17004		BALL BEARING 6202 -2RS1	4,00			--
0010	MPVR04923		SUPPORT SPAZZOLA CENTRALE	1,00			--
0011	VTAE00076		SEEGER INTERNO DIN 472 D.28	2,00			--
0012	MLML00295		SPRING SPAZZOLA CENTRALE	1,00			--
0013	VTVT01128		SCREW TCCE UNI 5931 12X120 ZB	1,00			--
0014	SPPV00052		CENTRAL BRUSH D.280X686 6R0.5/1.2 1200	1,00			--
0015	VTVT47138		SCREW TSP-TC 3,9X32 ZC. UNI6955	2,00			--
0016	LAFN47050		LATERAL ARM L.14	1,00			--
0017	LAFN45099		DRIVE DISK TK1400	1,00			--
0018	LAFN47051		PIN L.14	1,00			--
0019	MECB00983		WIRING ATTUATORE	1,00			--
0020	VTVT09913		SCREW TCEI 6X16 UNI5931	1,00			--
0021	LAFN00487		PIN FISSAG.ATTUATORE TK1300	1,00			--
0022	VTVT37013		SCREW TE M 6X100 UNI 5737	1,00			--
0023	VTAE00009		SEEGER INTERNO DIN 472 D.20	1,00			--
0024	LAFN00124		BUSHING BATTUTA CILINDRO	2,00			--
0025	MPVR45279		CASE TK1400	1,00			--
0026	MLML45281		SPRING TK1400	1,00			--
0027	VTDD01678		NUT M 5 UNI 5588	1,00			--
0028	VTVR45280		ARTICULATION AS M6	1,00			--
0029	VTVT00008		SCREW TE UNI 5739 6X30 ZB	1,00			--
0030	MTPL47054		PULLEY POLY-V J8 D. 155	1,00			--
0031	VTRS63242		WASHER D. 6 X24 ZC	2,00			--
0032	LAFN06823		SPACER L.14	1,00			--
0033	MPVR04915		HUB TRASCINATORE SPAZZ. CENT.	1,00			--
0034	LAFN47055		HOSE COLLAR C3 D.18	2,00			--
0035	VTVT06236		SCREW TCEI 6X40 UNI5931	4,00			--
0036	LAFN06782		BUSHING PER CUSCINETTO	1,00			--
0037	LAFN47033		BUSHING L.14	1,00			--
0038	VTRS00553		WASHER PARAPOLVERE	1,00			--
0039	LAFN06783		BUSHING PER CUSCINETTO 1	1,00			--



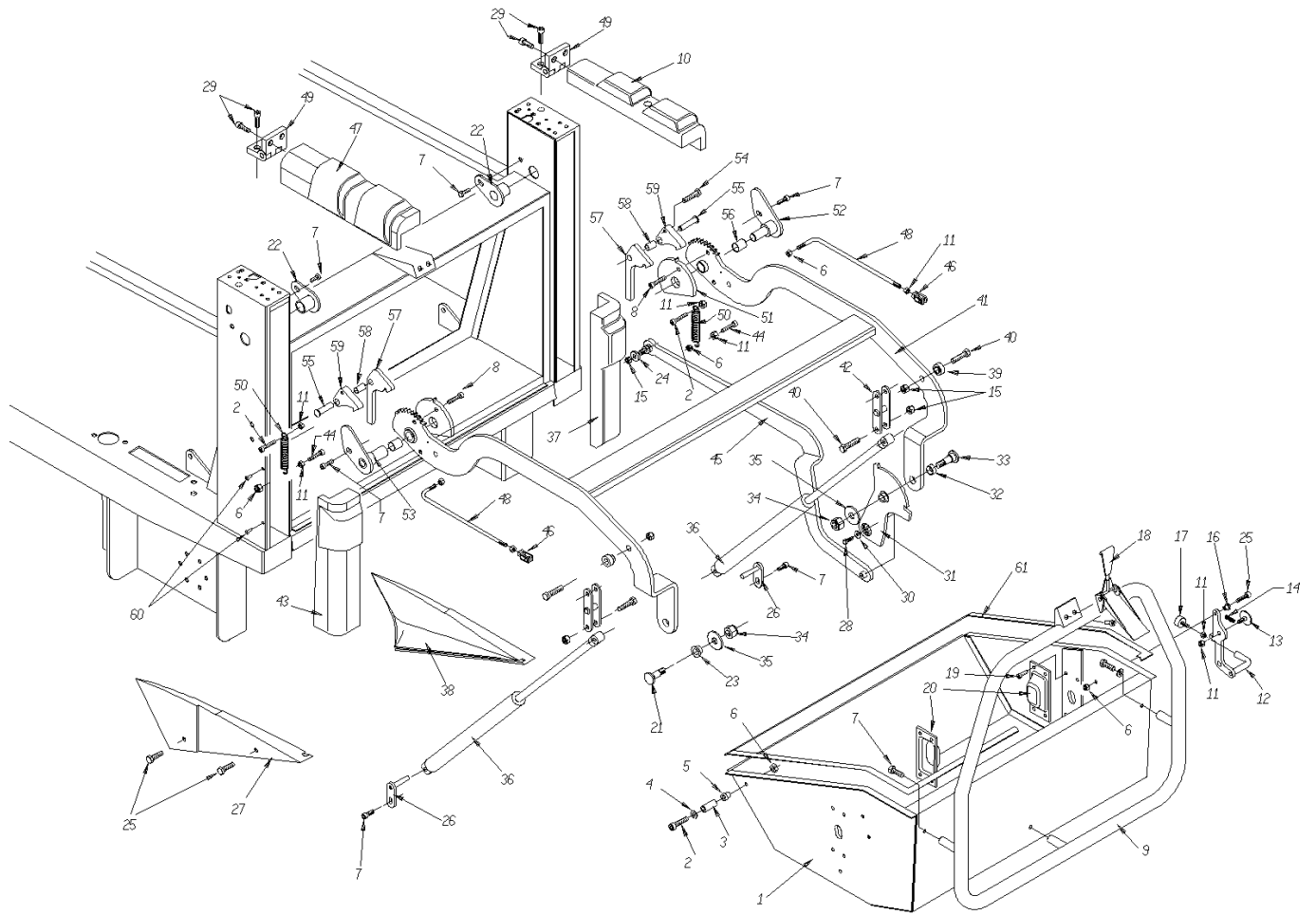
Ref. K	Part N.	Customer Part N.	Description	Qty	Validity:		Price
					From	To	
0040	VTRS00504		WASHER D. 8 TE ZC. UNI 6592	2,00			--
0041	MEVR00079		FUSE 3.15A 250V 5X20	1,00			--
0042	LAFN06687		PIN S.C. 1404	1,00			--
0043	MOCC00282		MOTOR G1202-1303	1,00			--
0044	VTVT06237		SCREW TCEI 6X20 UNI5931	4,00			--
0045	VTVR13165		KEY 5X5X20	1,00			--
0046	VTVR00006		KEY UNI 6604 4X4X35	1,00			--
0047	MTPL45101		PULLEY POLY-V J8 TK1400	1,00			--
0048	LAFN06830		ARM SPAZZOLA CENTRALE	1,00			--
0049	VTDD19688		NUT M6 UNI 7473	1,00			--
0050	MTCG44767		BELT POLY-V J8 864-340	1,00			--
0051	VTVR13165		KEY 5X5X20	1,00			--
0052	VTVT24209		SCREW TCEI 6X12 UNI5931	1,00			--
0053	RTRT00022		HANDWHEEL D.30 M6X15	2,00			--
0054	LAFN47059		BELT-STRETCHER L.14	1,00			--
0055	VTAE00008		SEEGER INTERNO DIN 472 D.26	2,00			--
0056	LAFN47060		SPACER L.14	1,00			--
0057	CUVR86373		BEARING 6000 2RS	2,00			--
0058	MTPL47061		ROLLER L.14	1,00			--
0059	LAFN47062		PIN L.14	1,00			--
0060	VTRS63242		WASHER D. 6 X24 ZC	1,00			--
0061	MLML75961		SPRING D. 16 L.80	1,00			--
0062	VTVT45395		SCREW TBEI M 8X 10 ISO 7380 ZB	2,00			--
0063	VTRS04026		WASHER D. 6X18X2.38	1,00			--
0064	VTVT24209		SCREW TCEI 6X12 UNI5931	1,00			--
0065	MEVR00080		FUSE-HOLDER PV610 10A	1,00			--
0066	VTRS04026		WASHER D. 6X18X2.38	4,00			--
0067	LAFN00772		PLATE PORTA ATTUATORE 1300/1200	1,00			--
0068	LAFN06837		PROTECTION SPAZZOLA CENTRALE	2,00			--
0069	VTRS00506		WASHER D.12 UNI 6592	1,00			--



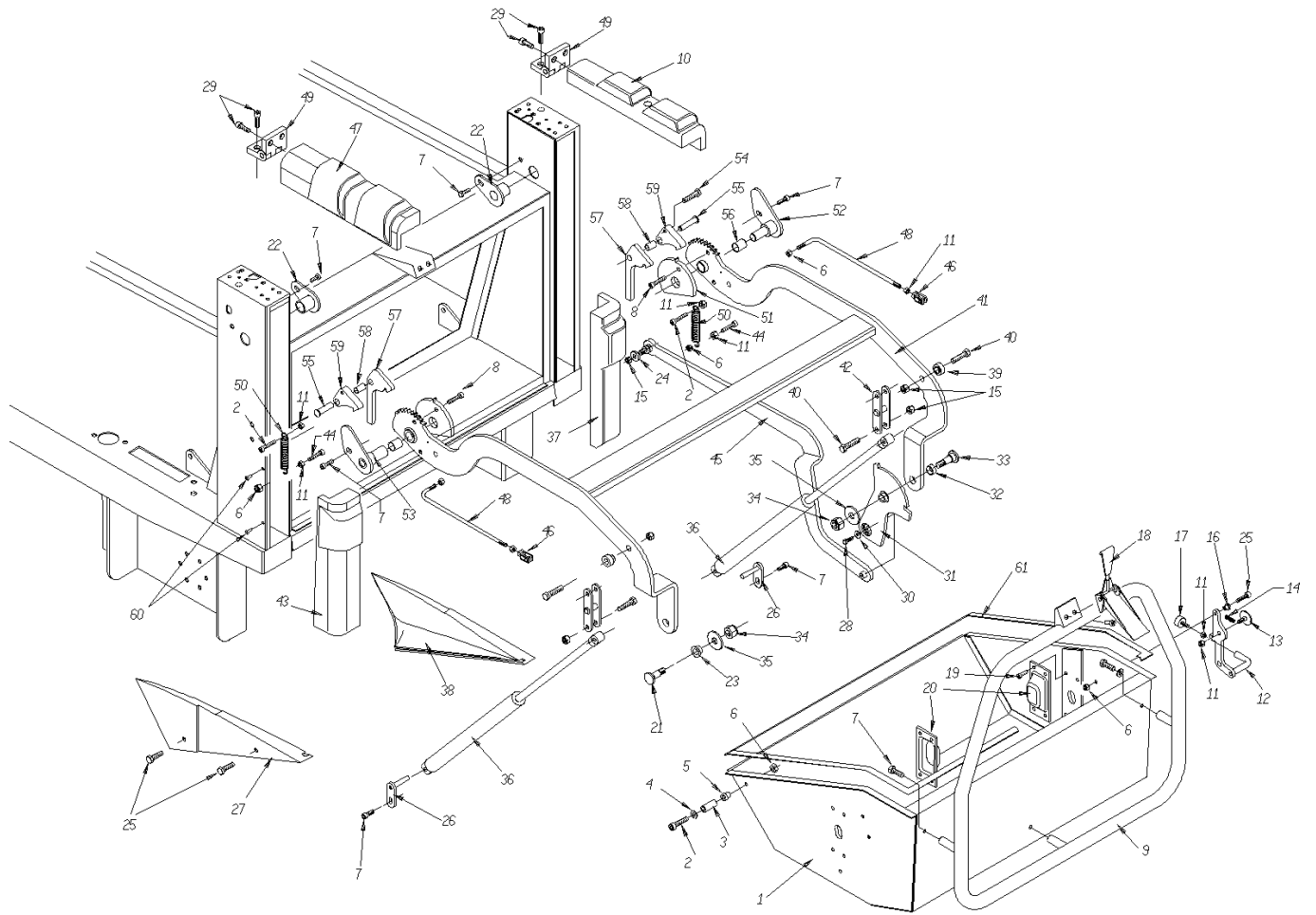
Ref.	K	Part N.	Customer Part N.	Description	Qty	Validity: From To	Price
0001		SPPV00018		BRUSH LATERALE TK1300/TK1200	2,00		--
0002		VTVT62920		SCREW TE F/ROND. M 6X 16 ZB	10,00		--
0003		VTRS63242		WASHER D. 6 X24 ZC	2,00		--
0004		VTVR33667		KEY 5x 5x25 UNI 6604A	2,00		--
0005		LAFN45010		FLANGE L.1400 LT.	2,00		--
0006		RDGR75785		MOTOR.GEARBOX AOMP140 24V 90W SX	1,00		--
0007		RDGR75784		MOTOR.GEARBOX AOMP140 24V TK1000	1,00		--
0008		VTVT09913		SCREW TCEI 6X16 UNI5931	8,00		--
0009		LAFN00784		ARM DX ALZA SPAZ.LAT.COMPL.	1,00		--
0010		LAFN00785		ARM SX ALZA SPAZ.LAT.COMPL.	1,00		--
0011		MPVR47066		PROTECTOR L.14	2,00		--
0012		LAFN00766		GUIDE ALBERO SPAZ.LAT.DX 1300zn	1,00		--
0013		LAFN00767		GUIDE ALBERO SPAZ.LAT.SX ZB	1,00		--
0014		LAFN47070		FLANGE L.14 LT.	2,00		--
0015		LAFN47081		SPACER L.14	2,00		--
0016		VTAE12644		CIRCLIP D. 30 UNI 7435	2,00		--
0017		VTVT09913		SCREW TCEI 6X16 UNI5931	6,00		--
0018		VTRS00503		WASHER D. 6 TE UNI 6798	6,00		--
0019		MEVR00114		CLAMP FISS.GUAINA NYLON 200X2.5	4,00		--
0020		VTVT00448		SCREW TE 8X30 UNI5739	2,00		--
0021		VTRS00512		WASHER D. 8 X24 ZC.	4,00		--
0022		VTDD00124		NUT M 8 BASSO	4,00		--
0023		VTDD00482		NUT M 6 ZIN UNI 5588	2,00		--
0024		VTDD00491		NUT M 6 TEF	2,00		--
0025		LAFN47080		SCREW L.14	2,00		--
0026		ALTR00028		ROD ROTAZ.SPAZ.LAT.COMPL.	2,00		--
0027		MLML45102		SPRING TR	2,00		--
0028		VTVT24209		SCREW TCEI 6X12 UNI5931	2,00		--
0029		VTRS63242		WASHER D. 6 X24 ZC	2,00		--
0030		VTDD00484		NUT M10 ZIN UNI 5588	4,00		--
0031		VTVR47072		ARTICULATION AS M10	2,00		--
0032		LAFN47073		ARM L.14 DX	1,00		--
0033		LAFN47078		ARM L.14 SX	1,00		--
0034		MPVR86579		SUPPORT TK	2,00		--
0035		ABGO00008		VIBRATION DAMP.PM 20X20 M6X20	2,00		--
0036		VTDD00482		NUT M 6 ZIN UNI 5588	2,00		--
0037		VTVT75726		SCREW TBEI M 6X 16 ISO 7380 ZB	4,00		--
0038		VTRS04026		WASHER D. 6X18X2.38	4,00		--
0039		VTAE87276		SEEGER EXT. D10 DIN471	2,00		--



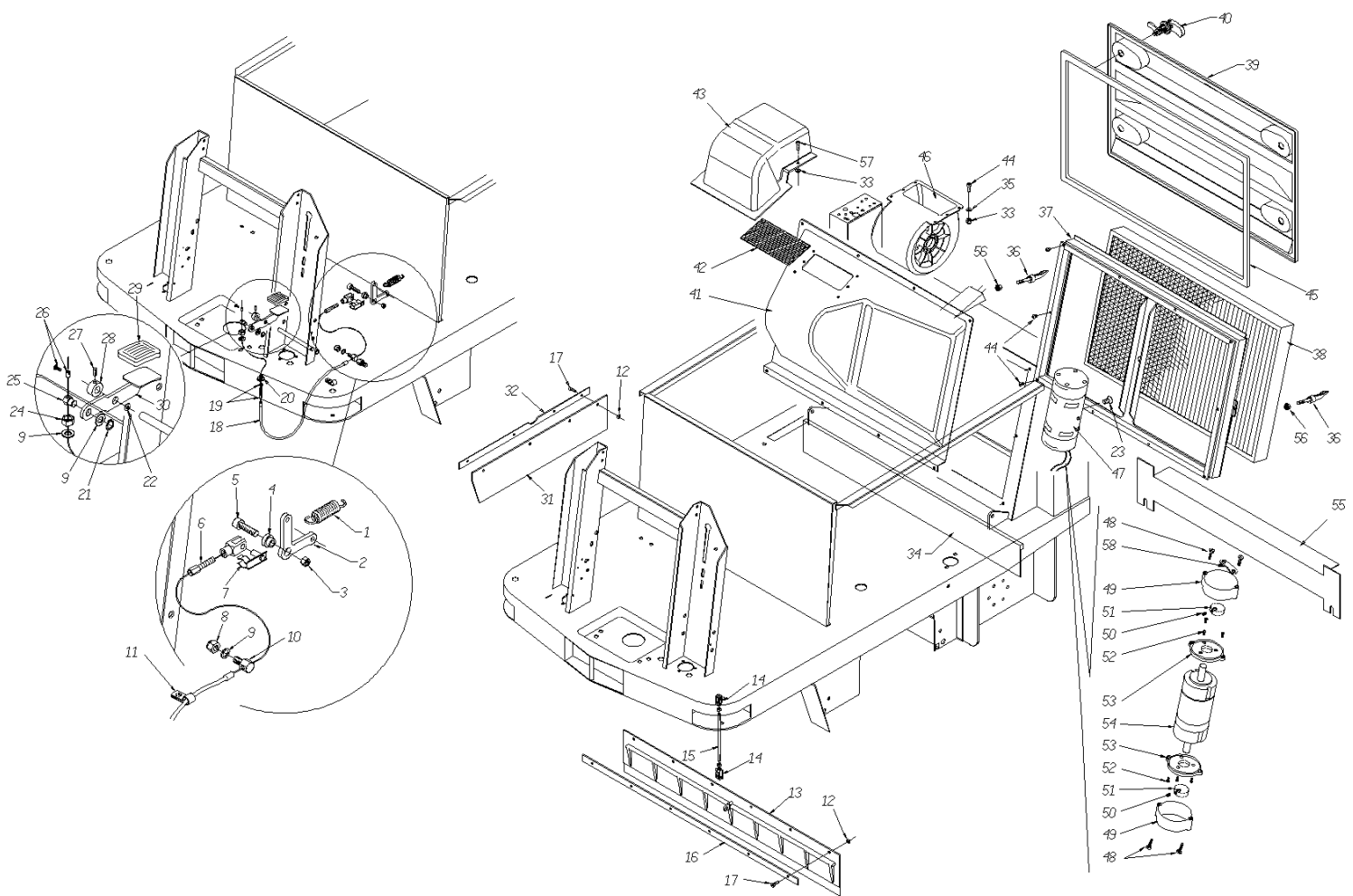
Ref. K	Part N.	Customer Part N.	Description	Qty	Validity:		Price
					From	To	
0040	VTRS00505		WASHER D.10 TE UNI 6592	2,00			--
0041	MLML47075		SPRING D.15X 24 X1.5	2,00			--
0042	MPVR47074		BUSHING L.14 INT.	2,00			--
0043	MPVR47076		BUSHING L.14 EXT.	2,00			--
0044	MPVR47077		KNOB L.14	2,00			--
0045	LAFN06795		BRACKET LEVE SPAZZOLE LATERALI	2,00			--
0046	LAFN06400		SUPPORT BRACKET RUOTINO	2,00			--
0047	VTVT00008		SCREW TE UNI 5739 6X30 ZB	2,00			--



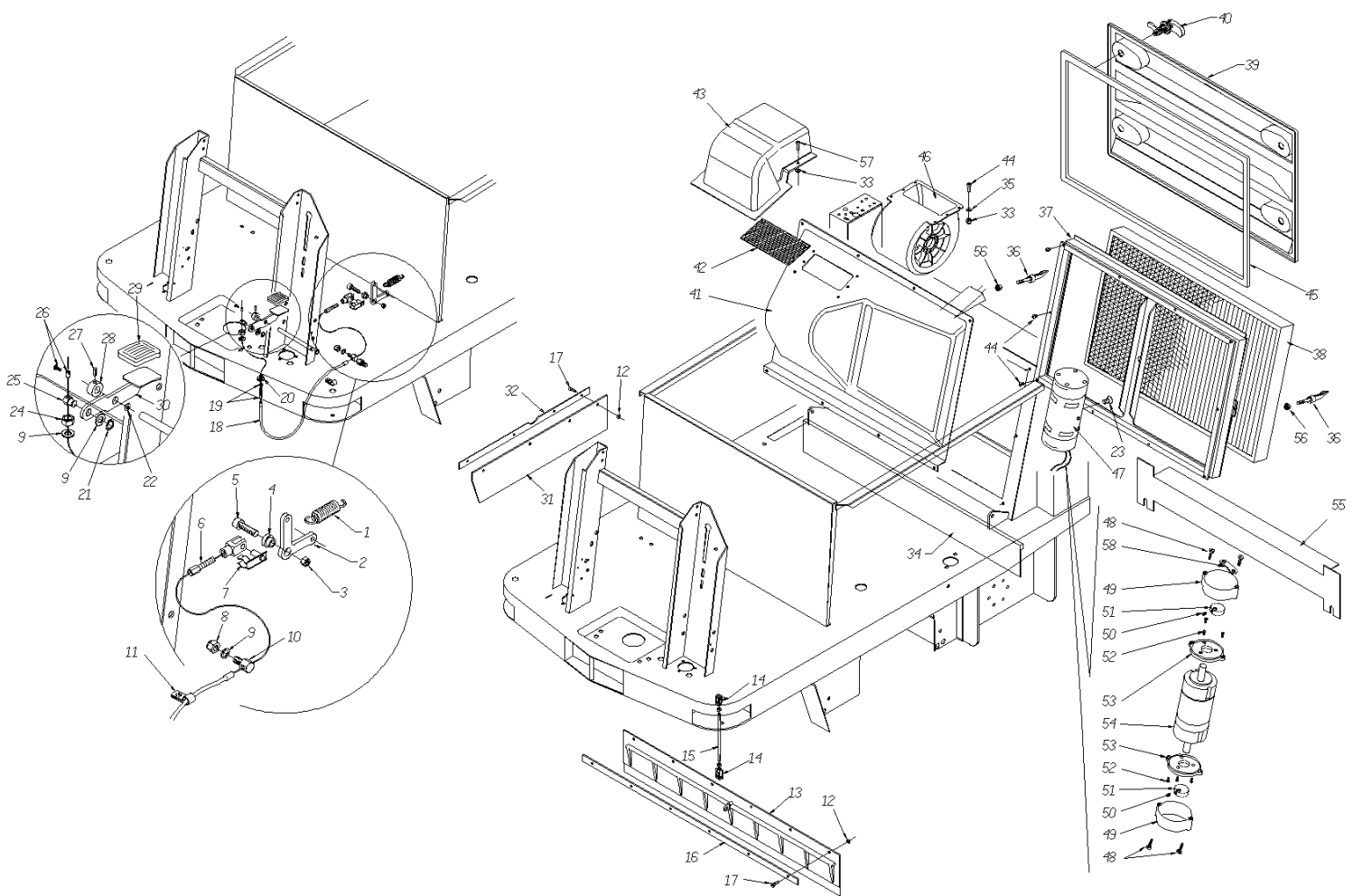
Ref.	K	Part N.	Customer Part N.	Description	Qty	Validity:		Price
						From	To	
0001		LAFN00245		DRAWER TK1200 COMPL.RAL7024 SOLL	1,00			--
0002		VTVT63029		SCREW TCEI M 6X 35 UNI 5931 ZB	3,00			--
0003		LAFN00141		BUSHING RULLINO CASSETTO TK1200	1,00			--
0004		VTRS00503		WASHER D. 6 TE UNI 6798	1,00			--
0005		LAFN00635		ROLLER CASSETTO TK1200	1,00			--
0006		VTDD19688		NUT M6 UNI 7473	6,00			--
0007		VTVT62920		SCREW TE F/ROND. M 6X 16 ZB	7,00			--
0008		VTVT01118		SCREW TCEI M 8X16 ZC. UNI 5931	2,00			--
0009		LAFN00410		HANDLE CASSETTO COMPLETO RAL7024	1,00			--
0010		MPVR00294		BUMPER POSTERIORE SUP.DX TK1200	1,00			--
0011		VTDD00482		NUT M 6 ZIN UNI 5588	8,00			--
0012		LAFN00354		LEVER SGANCIO CASSETTO	1,00			--
0013		LAFN00504		PIN MOLLA LEVA SGANCIO TK1200	1,00			--
0014		MLML00021		SPRING CHIAVISTELLO ROT.CASSETTO	1,00			--
0015		VTDD00124		NUT M 8 BASSO	5,00			--
0016		LAFN00506		PIN LEVA SGANCIO	1,00			--
0017		ABGO00008		VIBRATION DAMP.PM 20X20 M6X20	1,00			--
0018		CHVR76642		CLOSURE SW1000	1,00			--
0019		VTVT75719		SCREW TE F/ROND. M 6 X 10	8,00			--
0020		MPVR00284		COWLING COPRI PERNO	2,00			--
0021		LAFN00502		PIN CASSETTO	1,00			--
0022		LAFN00515		PIN BRACCIO	2,00			--
0023		LAFN00023		WASHER SPALLAMENTO CASSET.TK1200	1,00			--
0024		VTRS00512		WASHER D. 8 X24 ZC.	1,00			--
0025		VTVT24209		SCREW TCEI 6X12 UNI5931	5,00			--
0026		LAFN00508		PIN MOLLA GAS COMPLETO	2,00			--
0027		MPVR00286		CONVEYOR CASSETTO SX TK1200	1,00			--
0028		VTVT17639		SCREW TCEI M 5X10 UNI 5931	1,00			--
0029		VTVT09913		SCREW TCEI 6X16 UNI5931	1,00			--
0030		VTRS00291		WASHER D. 5 X20 ZC UNI 6593	1,00			--
0031		LAFN00792		BRACKET PARELLOGRAMMA COMPLETO	1,00			--
0032		LAFN00143		BUSHING BRACCIO	2,00			--
0033		LAFN00502		PIN CASSETTO	1,00			--
0034		VTDD00042		NUT AUT.M10 UNI7474	2,00			--
0035		VTRS00514		WASHER D.10X30X11.4	2,00			--
0036		MLML00004		SPRING A GAS X CASSETTO TK 1200	2,00			--
0037		MPVR00292		BUMPER POSTERIORE INF.DX TK1200	1,00			--
0038		MPVR00285		CONVEYOR CASSETTO DX TK1200	1,00			--
0039		LAFN00503		PIN BIELLA	2,00			--



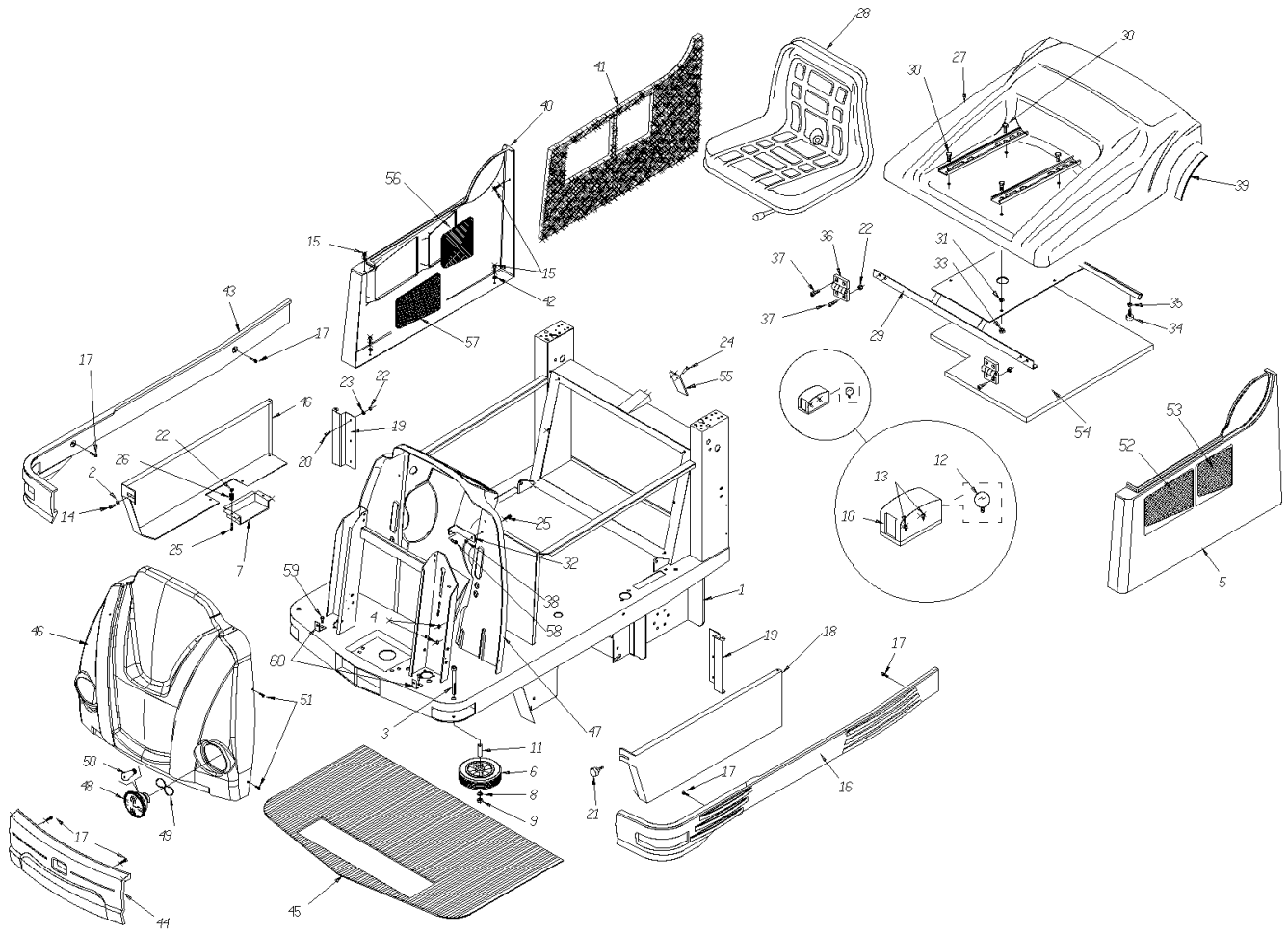
Ref. K	Part N.	Customer Part N.	Description	Qty	Validity:		Price
					From	To	
0040	VTVT00017		SCREW TE UNI 5739 8X35 ZB	4,00			--
0041	LAFN00789		ARM SOLLEVAM.TK1200 COMPL ZIN	1,00			--
0042	LAFN00355		CONNECTING ROD COMPLETA	2,00			--
0043	MPVR00293		BUMPER POSTERIORE INF.SX TK1200	1,00			--
0044	VTVT01532		SCREW TE 6X25 UNI5739	2,00			--
0045	LAFN00788		ARM PRALELOGRAMMA COMPL.1200	1,00			--
0046	CMCV75717		CLIP UNI 1676 M6	2,00			--
0046	CMCV76639		FORK M 6 UNI 1676	2,00			--
0047	MPVR00295		BUMPER POSTERIORE SUP.SX TK1200	1,00			--
0048	LAFN00797		CONTOLE ROD PARAU RTI POSTERIORE COMPL	2,00			--
0049	CEVR85332		HINGE MEB F D.6 TK	2,00			--
0050	MLML00022		SPRING GANCIO ARPIONE	2,00			--
0051	LAFN00323		FLANGE SGANCIO SOLLEVAMENTO 1200	2,00			--
0052	LAFN00511		PIN ESTERNO BRACCIO DESTRO	1,00			--
0053	LAFN00512		PIN ESTERNO BRACCIO SINISTRO	1,00			--
0054	VTVT12255		SCREW TCEI 6X25 UNI5931	2,00			--
0055	LAFN00505		PIN GANCIO ARPIONE TK 1200	2,00			--
0056	MPVR47125		BUSHING D. 16X18X20 GLYC.	2,00			--
0057	LAFN00790		HOOK ARPIONE BRACCIO	2,00			--
0058	MPVR00011		BUSHING GLYCODUR GLY.PG 10-12-20F	2,00			--
0059	LAFN00791		HOOK ARPIONE	2,00			--
0060	VTVT06237		SCREW TCEI 6X20 UNI5931	4,00			--
0061	GUGO00036		GASKET CASSETTO POSTER.TK1200	1,00			--



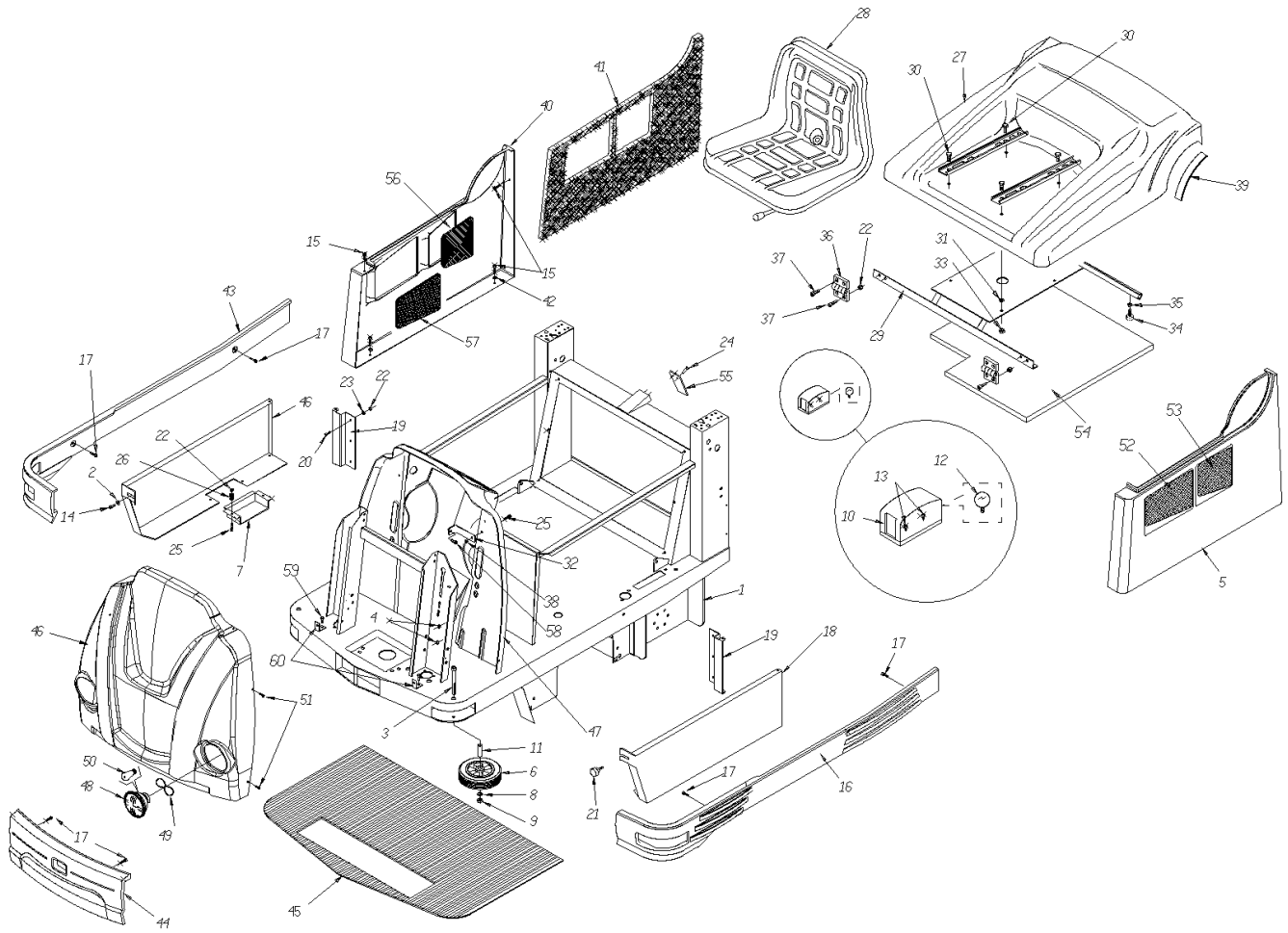
Ref. K	Part N.	Customer Part N.	Description	Qty	Validity:		Price
					From	To	
0001	MLML45109		SPRING TR D. 12X1.7X79.5	1,00			--
0002	LAFN47128		LEVER L.14	1,00			--
0003	VTDD00124		NUT M 8 BASSO	1,00			--
0004	LAFN47129		BUSHING L.14 A.FLAP	1,00			--
0005	VTVT00448		SCREW TE 8X30 UNI5739	1,00			--
0006	CMCV87172		CABLE ALZA FLAP 2125404	1,00			--
0007	CMCV75717		CLIP UNI 1676 M6	1,00			--
0008	VTDD00012		NUT AUTOBLOK DIN 985 M12 ZB	1,00			--
0009	VTRS00506		WASHER D.12 UNI 6592	4,00			--
0010	LAFN75976		SPRING GUIDE TK 1000	1,00			--
0011	FSVR00005		CLAMP TIPO "ECO"FORO MM8 D.1 W0	1,00			--
0012	VTVR47015		INSERT PLS. D.3	10,00			--
0013	MPVR00754		FLAP ANTERIORE TK1200 COMPL.	1,00			--
0014	CMCV76639		FORK M 6 UNI 1676	2,00			--
0015	LAFN00517		PIN TIRANTE ALZAFLAP ZINC.	1,00			--
0016	LAFN00324		CLAMP FLAP ANTER.TK1200 ZINC.	1,00			--
0017	VTVT00044		SCREW TC AF.X PLAS UNI9707 4X16	9,00			--
0018	CMCV75904		BRAKE SHEATH TK 1000E/S	1,00			--
0019	CMCV75723		REGISTER D.7	1,00			--
0020	LAFN75975		PIN TK	1,00			--
0021	VTAE14016		CIRCLIP D. 12 UNI 7435	2,00			--
0022	VTRS00505		WASHER D.10 TE UNI 6592	1,00			--
0023	VTVT47143		SCREW TSPEI M 10X 16 ZC UNI5933	1,00			--
0024	VTDD01682		NUT M12 ZC UNI 5588	1,00			--
0025	LAFN75973		PIN FLAP TK	1,00			--
0026	VTVR00028		CLAMP PER CASSETTO G1300	1,00			--
0027	VTVT75731		SCREW UNI 5923 6 X5	1,00			--
0028	LAFN47030		BUSHING L.14	1,00			--
0029	MPVR45096		RUBBER V 1201 GR.	1,00			--
0030	LAFN47133		PEDALE L.14 FLAP	1,00			--
0031	MPVR05017		FLAP -	1,00			--
0032	LAFN06826		SHEET METAL PA.FLAP	1,00			--
0033	VTDD00491		NUT M 6 TEF	8,00			--
0034	MPVR00755		FLAP POSTERIORE FISSO TK1200	1,00			--
0035	VTRS00503		WASHER D. 6 TE UNI 6798	6,00			--
0036	PMVR00290		HANDLE BLOCCAG.FILTRO TK1200	2,00			--
0037	PMVR00289		FRAME PORTA FILTRO	1,00			--
0038	FTDP76067		FILTER SW1000	1,00			--
0039	MPVR45784		COVER CHIUSURA FILTRO	1,00			--



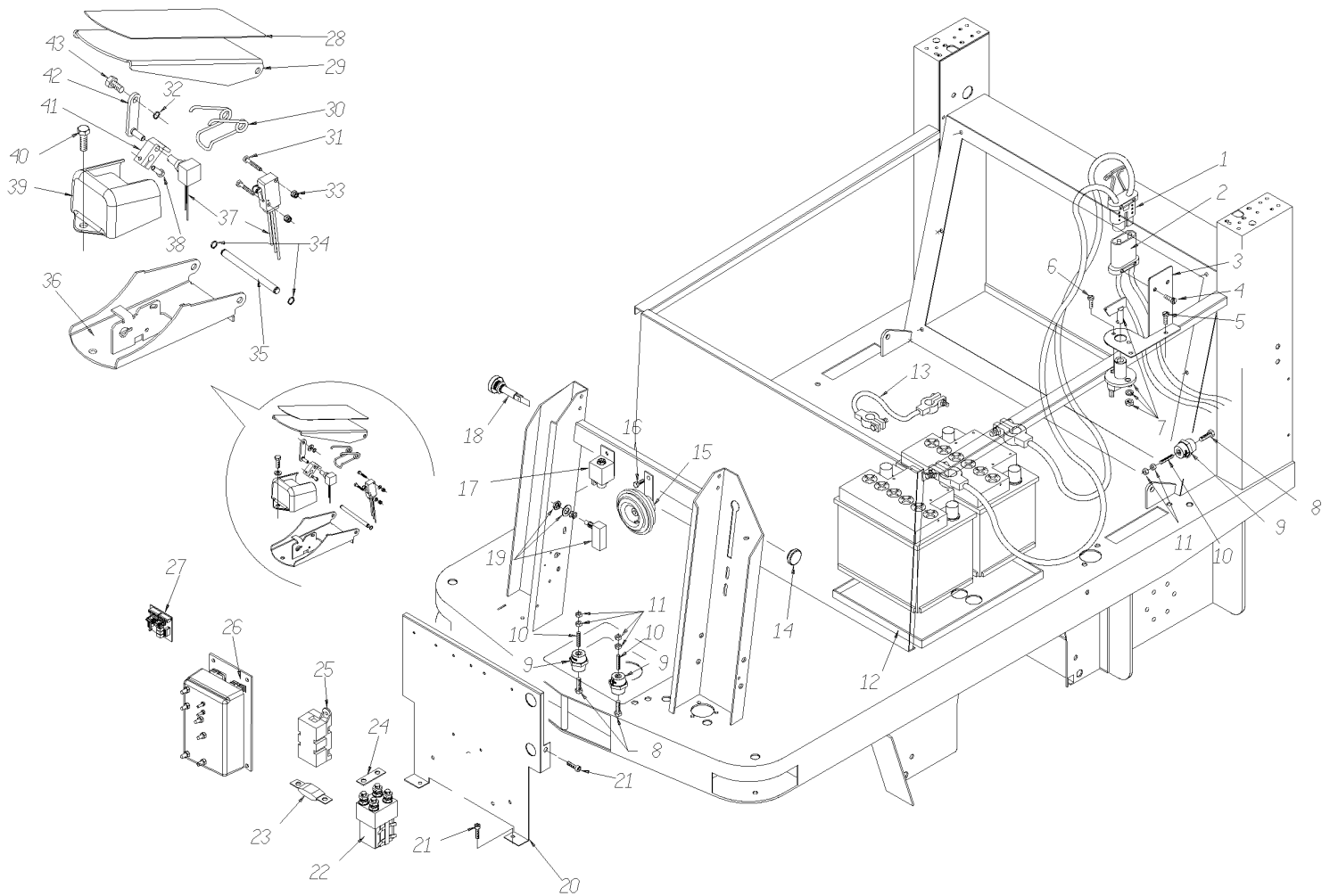
Ref. K	Part N.	Customer Part N.	Description	Qty	Validity:		Price
					From	To	
0040	PMVR00103		LOCK	4,00			--
0042	LAFN00908		BRACKET VENTOLA	1,00			--
0043	PMVR00500		TUNNEL ESPULSIONE ARIA TK1200	1,00			--
0044	VTVT75726		SCREW TBEI M 6X 16 ISO 7380 ZB	18,00			--
0045	GUVR46899		GASKET COPERCHIO	1,00			--
0046	MOCC00008		MOTOR VENTOLA ASPIRAZ.TK1200	1,00			--
0047	MOCC45112		MOTOR 24V CC ECC.	1,00			--
0048	VTVT47138		SCREW TSP-TC 3,9X32 ZC. UNI6955	8,00			--
0049	LAFN47139		MOTOR COVER L.14 FILT.	4,00			--
0050	VTVT75731		SCREW UNI 5923 6 X5	4,00			--
0051	LAFN47140		BUSHING L.14	4,00			--
0052	VTVT76616		SCREW M 4x18 STEAM GUN	12,00			--
0053	MFVR47141		FLANGE MOTOR L.14	4,00			--
0054	MOCC00004		MOTOR D.63 24V G3800 W35	1,00			--
0055	LAFN00855		BRACKET BLOCCA FILTRO G1200 VERN.	1,00			--
0056	VTDD13261		NUT M 8X1 UNI 5589	4,00			--
0057	VTVT62920		SCREW TE F/ROND. M 6X 16 ZB	2,00			--
0058	MPVR00765		RUBBER FISSAGGIO FILO SCUOTIFIL.	2,00			--



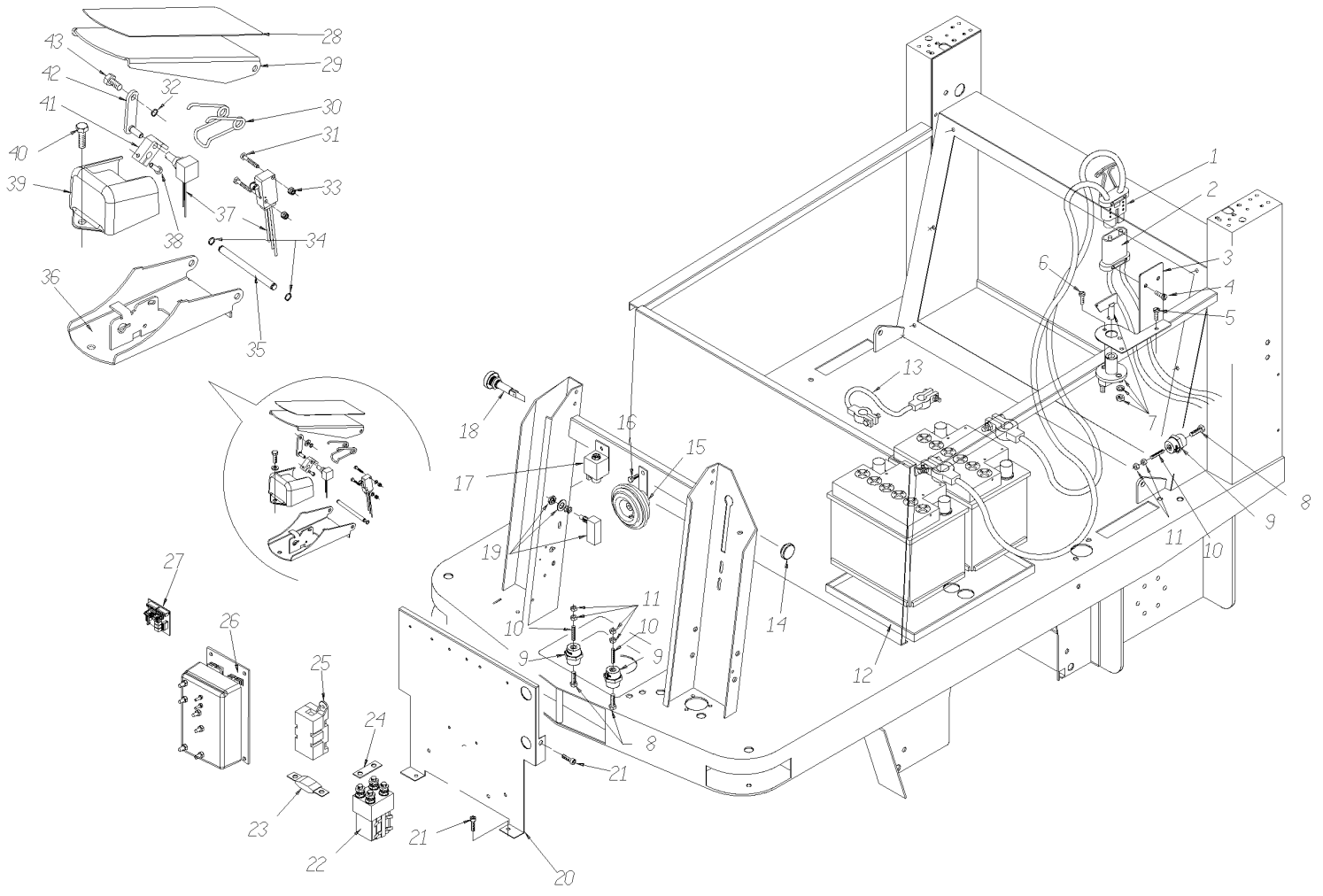
Ref.	K	Part N.	Customer Part N.	Description	Qty	Validity: From To	Price
0001		LAFN01024		FRAME TK1200 GRIGIO RAL7024	1,00		--
0002		VTRS04026		WASHER D. 6X18X2.38	1,00		--
0003		VTVT28307		SCREW TCCE UNI 5931 10X70 ZN	2,00		--
0004		VTDD00013		NUT INGABBIATO UNI 3740 M6	4,00		--
0005		MPVR04673		BODY SIDE SX	1,00		--
0006		RTRT31046		WHEEL D.150 E 350	2,00		--
0007		LAFN00776		PROTECTION CING.PORT.LAT DX 1300/200	1,00		--
0008		VTRS00505		WASHER D.10 TE UNI 6592	2,00		--
0009		VTDD00042		NUT AUT.M10 UNI7474	2,00		--
0010		MELF85067		LANTERN FLASH 21W 24V OR.	2,00		--
0011		LAFN47011		BUSHING L.14	2,00		--
0012		MELF33431		LAMP 24 V 21 W	2,00		--
0013		VTVT19236		SCREW TCEI 5X20 UNI 5931	4,00		--
0014		VTVT62920		SCREW TE F/ROND. M 6X 16 ZB	1,00		--
0015		VTVT06237		SCREW TCEI 6X20 UNI5931	8,00		--
0016		MPVR00268		BUMPER LATERALE SX G1200-1300	1,00		--
0017		VTVT01118		SCREW TCEI M 8X16 ZC. UNI 5931	6,00		--
0018		LAFN00782		BODY SIDE DX	1,00		--
0019		CEVR00001		HINGE X PORTELLI TK1300 ZINCATA	2,00		--
0020		VTVT00527		SCREW TE FR 6x10 ZB ZIGRINATE	2,00		--
0021		RTRT00022		HANDWHEEL D.30 M6X15	1,00		--
0022		VTDD00491		NUT M 6 TEF	2,00		--
0023		VTRS00503		WASHER D. 6 TE UNI 6798	2,00		--
0024		VTVT75726		SCREW TBEI M 6X 16 ISO 7380 ZB	2,00		--
0025		VTVT75726		SCREW TBEI M 6X 16 ISO 7380 ZB	2,00		--
0026		MLML46644		SPRING D. 6	2,00		--
0027		MPVR00287		HOOD SUPERIORE TK1200 GRIGIO	1,00		--
0028		SESD00003		SEAT TK1300 CON MICRO.E GUIDE	1,00		--
0029		LAFN01023		FRAME PORTASEDILE TK1200 COMPL.	1,00		--
0030		VTVT00447		SCREW TE 8X25 UNI5739	4,00		--
0031		VTRS00504		WASHER D. 8 TE ZC. UNI 6592	4,00		--
0032		LAFN06794		BRACKET FISSA FRONTALE G1404	2,00		--
0033		VTDD00124		NUT M 8 BASSO	4,00		--
0034		ABGO00008		VIBRATION DAMP.PM 20X20 M6X20	2,00		--
0035		VTDD00482		NUT M 6 ZIN UNI 5588	2,00		--
0036		CEVR85332		HINGE MEB F D.6 TK	2,00		--
0037		VTVT12255		SCREW TCEI 6X25 UNI5931	4,00		--
0038		VTDD00491		NUT M 6 TEF	2,00		--
0040		MPVR04675		BODY SIDE DX	1,00		--



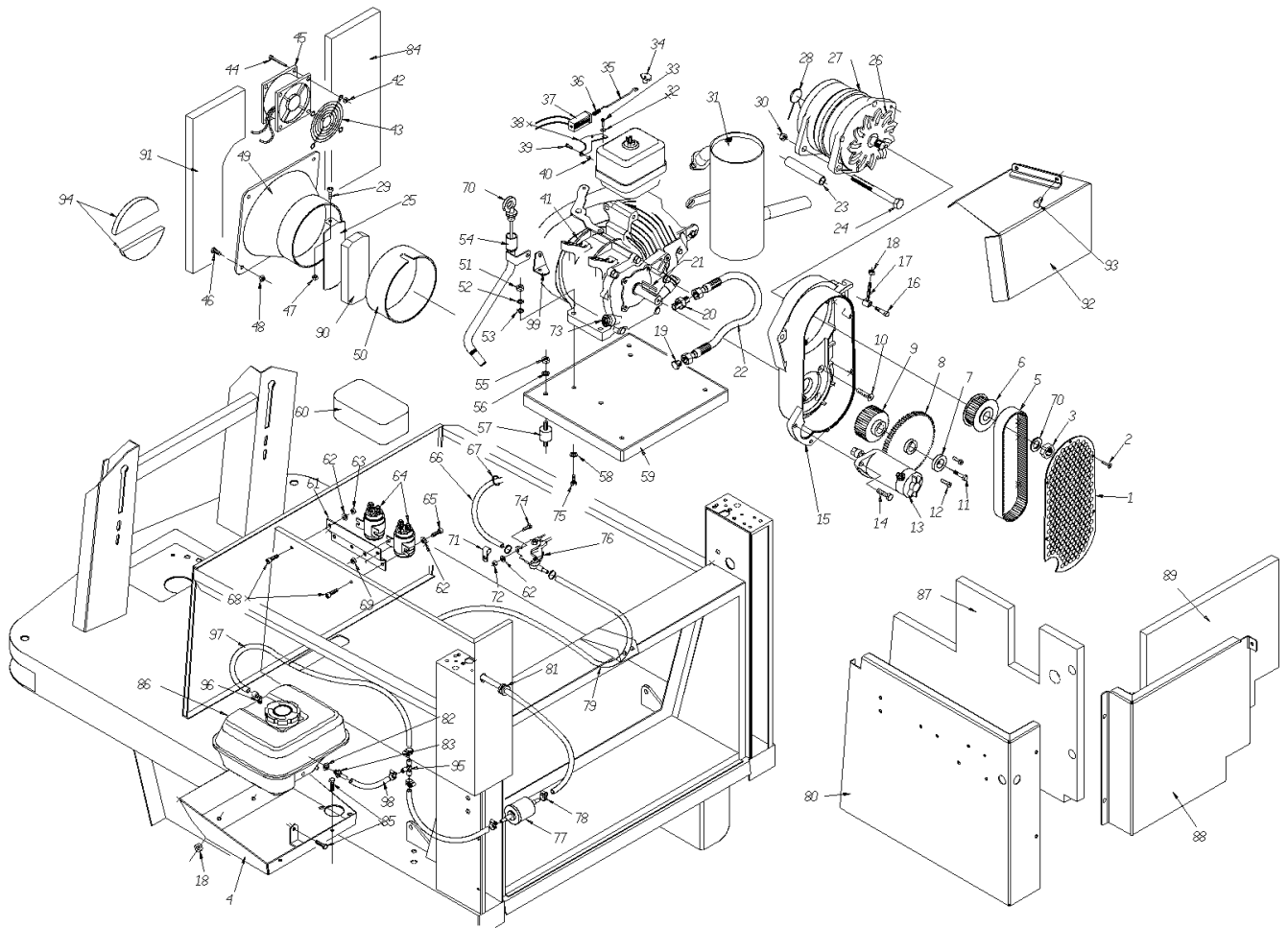
Ref. K	Part N.	Customer Part N.	Description	Qty	Validity:		Price
					From	To	
0041	ITSO00054		PANEL ISOLATORE PORTASEDILE	1,00			--
0042	VTRS04026		WASHER D. 6X18X2.38	8,00			--
0043	MPVR00267		BUMPER LATERALE DX G1200-1300	1,00			--
0044	MPVR00271		BUMPER ANTERIORE G1200-1300	1,00			--
0045	MPVR05058		PLANE MILLERIGHE CON BIADESIVO	1,00			--
0046	MPVR04890		HOOD ANTERIORE G1404	1,00			--
0047	MPVR04891		HOOD POSTERIORE G1404	1,00			--
0048	MEVR00135		LANTERN G1400	2,00			--
0049	GUGO45326		O-RING D. 112 X 6 -NBR 70SH	2,00			--
0050	MELF87169		LAMP 12V 35W	2,00			--
0051	VTVT45339		SCREW TBEI M 5X 16 ISO 7380 ZB	12,00			--
0052	LAFN06589		BRACKET FIANCATA	1,00			--
0053	LAFN06590		BRACKET FIANCATA	1,00			--
0054	ITSO00052		PANEL ISOLATORE PORTASEDILE	1,00			--
0055	CHVR76643		SUPP.HOLDER	1,00			--
0056	LAFN06588		BRACKET FIANCATA	1,00			--
0057	LAFN06587		BRACKET FIANCATA	1,00			--
0058	VTVT62920		SCREW TE F/ROND. M 6X 16 ZB	2,00			--
0059	VTVT09916		SCREW TBEI M 6X 20 ISO 7380 ZB	2,00			--
0060	LAFN06793		BRACKET FISSA FRONTALE	2,00			--



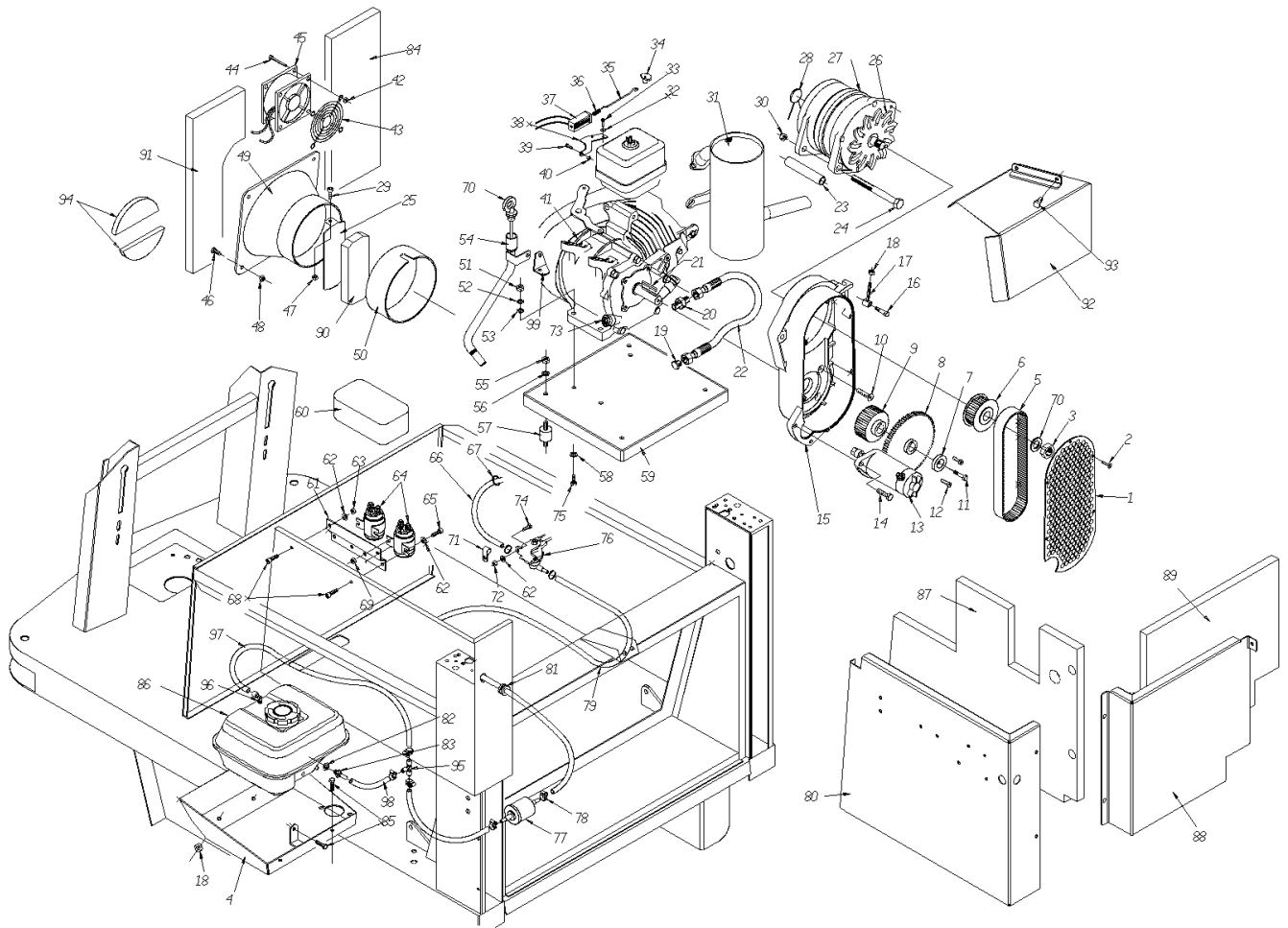
Ref.	K	Part N.	Customer Part N.	Description	Qty	Validity:		Price
						From	To	
0001		MECB44779		WIRING INTERNO BATTERIE	1,00			--
0002		MEVR44180		PLUG FT 80	1,00			--
0003		LAFN87621		PLATE PORTA PRESA TK1300/1200	1,00			--
0004		VTVT00128		SCREW TC M4X30	2,00			--
0005		VTVT13515		SCREW TSPEI M6x16 UNI5933 10.9	2,00			--
0006		VTVT09913		SCREW TCEI 6X16 UNI5931	2,00			--
0007		AZMC75803		DIASASS.SPANNERSW 1000	1,00			--
0008		VTVT00527		SCREW TE FR 6x10 ZB ZIGRINATE	3,00			--
0009		MEVR47082		INSULATOR M6 35-CH32	3,00			--
0010		VTVT47088		SCREW EI-ST 6X30 UNI5923 ZC	3,00			--
0011		VTDD00482		NUT M 6 ZIN UNI 5588	6,00			--
0012		MPVR00296		CONTAINER BATTERIA TK1200	1,00			--
0013		MEVR34820		WIRING B 450 BT	1,00			--
0014		MPVR00048		CAP DIAM.22 NERO P9ARHPR	1,00			--
0015		MEVR47083		KLAXON L.14 24V	1,00			--
0016		VTVT85116		SCREW TE FR 6,3X19 ZIN	1,00			--
0017		MECE00428		SWITCH RELAY 24V	1,00			--
0018		MECI00028		BUTTON DI EMERGENZA TK1400 24V	1,00			--
0019		MECI75801		MICROSWITCH TK	2,00			--
0020		LAFN06784		PLATE SUPPORTO ELETTRONICA	1,00			--
0021		VTVT62920		SCREW TE F/ROND. M 6X 16 ZB	4,00			--
0022		MECI00037		CONTACTOR TL22 P V 24V	1,00			--
0023		MEVR00145		FUSE 100A	1,00			--
0024		MECB00117		WIRING TELERUTTORE	1,00			--
0025		MEVR00146		FUSE-HOLDER MEGA	1,00			--
0026		MECE00019		BOARD POTENZA COMPLETA	1,00			--
0027		MECE45124		PCB RELE' L.1400	1,00			--
0028		ETET01356		ADHESIVE PEDALE P185	1,00			--
0029		LAFN51064		ASSEMBLED PEDALE AVANZ.SUPER.	1,00			--
0030		MLML00034		SPRING PEDALE AVANZAMENTO G1050	1,00			--
0031		VTVT00654		SCREW TC+ M.3-20	2,00			--
0032		VTAE48552		CIRCLIP D. 6 UNI 7435	1,00			--
0033		VTDD21115		NUT M 3 INOX	2,00			--
0034		VTAE48552		CIRCLIP D. 6 UNI 7435	2,00			--
0035		LAFN04159		PIN PEDALE P185	1,00			--
0036		LAFN51063		ASSEMBLED BASE PEDALE AVANZ.	1,00			--
0037		MECB00124		WIRING pedale acceleratore G1050	1,00			--
0038		VTVT21096		SCREW TE M 4X 10 INX	1,00			--
0039		MPVR51062		COVER POTENZIOM.	1,00			--



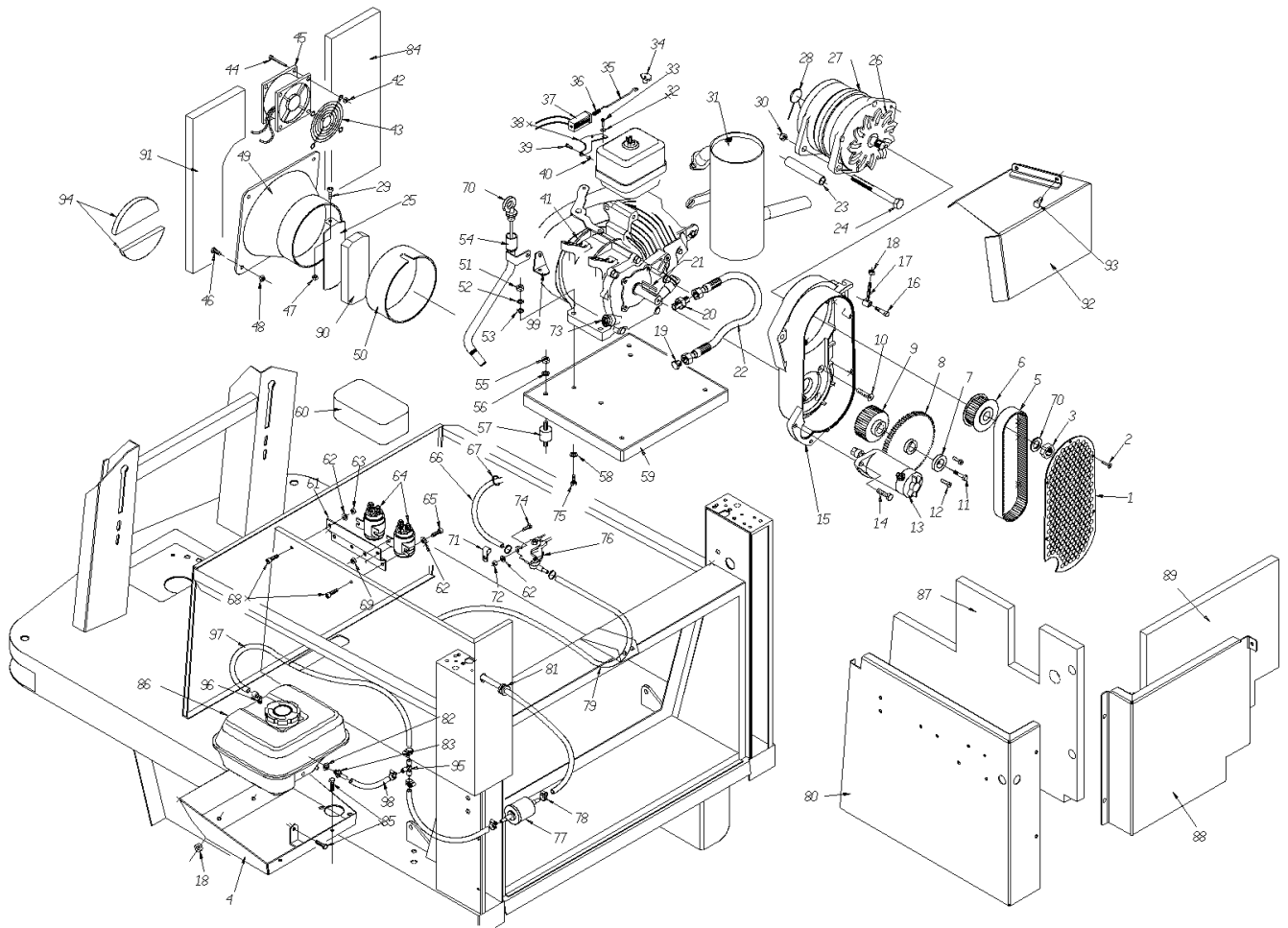
Ref. K	Part N.	Customer Part N.	Description	Qty	Validity:		Price
					From	To	
0040	VTVT06237		SCREW TCEI 6X20 UNI5931	1,00			--
0041	MPVR51061		HANDLE POTENZIOM.	1,00			--
0042	LAFN51062		ASSEMBLED BIELLA PEDALE AVANZ.	1,00			--
0043	LAFN51061		PIN AGGANCIO PEDALE MOB.	1,00			--



Ref.	K	Part N.	Customer Part N.	Description	Qty	Validity:		Price
						From	To	
0001		LAFN47152		BRACKET PROTEZIONE	1,00			--
0002		VTVT00005		SCREW TE FR 5X12 ZB	5,00			--
0003		LAFN00271		NUT FISSA PULEGGIA ALTERNA.	1,00			--
0004		LAFN00793		BRACKET SERBATOIO BENZINA	1,00			--
0005		MTCG44555		BELT HTD 565-5M 25	1,00			--
0006		MTPL00019		PULLEY ALTER.44-RPP5-25 TK1300	1,00			--
0007		LAFN06832		WASHER BLOCCA INGRANAGGIO	1,00			--
0008		MTCR45720		TOOTHED WHEEL Z. 80 P 1.75	1,00			--
0009		MTPL00020		PULLEY 40RPP5-25 MOT.HONDA5.5	1,00			--
0010		VTVT63134		SCREW M 8X25 TSPEI ZC UNI 5933	4,00			--
0011		VTVT00448		SCREW TE 8X30 UNI5739	1,00			--
0012		VTVT00066		SCREW TCCE UNI 5931 8X25 ZB	2,00			--
0013		MOCC45115		MOTOR 24V 300W SX	1,00			--
0014		VTVT01119		SCREW TCEI 8X20 UNI5931	2,00			--
0015		MFVR47154		CRANKCASE L.14	1,00			--
0016		VTVT28307		SCREW TCCE UNI 5931 10X70 ZN	1,00			--
0017		LAFN47168		BELT-STRETCHER L.14	1,00			--
0018		VTDD19688		NUT M6 UNI 7473	1,00			--
0019		RCDS00002		CAP 1/4"	1,00			--
0020		RCDS47173		NIPPLE 1/4 -M10X1.25	1,00			--
0021		VTVR47158		KEY 5X 5X41 UNI 6604	1,00			--
0022		TBBP47172		L.P. HOSE L=300 1/4F -1/4F 0°	1,00			--
0023		LAFN47157		SPACER L.14	1,00			--
0024		VTVT16260		SCREW TE M 10X160 UNI 5737 ZC	1,00			--
0025		LAFN06980		SHEET METAL PA.PARZIALIZZATORE	1,00			--
0026		VEVR47160		IMPELLER ALTER. A.OR.	1,00			--
0027		ARGN00004		ALTERNATOR 28V-80A	1,00			--
0028		METK47170		PROBE F11-140° NC	1,00			--
0029		VTVT75725		SCREW TBEI M 6X 10 ISO 7380 ZB	2,00			--
0030		VTDD00042		NUT AUT.M10 UNI7474	1,00			--
0031		MRSC00069		SILENCER HD COMPLETA	1,00			--
0032		VTRS27296		WASHER GROWER 3 ZNT	2,00			--
0033		VTVT10068		SCREW TC -TC 3X 6 UNI 7687	2,00			--
0034		MEVR45117		BALANCER L.14	1,00			--
0035		MEVR45118		CONNECTING ROD L.14	1,00			--
0036		MLML45119		SPRING L.14	1,00			--
0037		MEVR45120		SOLENOID K9B-36DL-1041	1,00			--
0038		LAFN47155		BRACKET L.14	1,00			--
0039		VTVT00107		SCREW TCTC UNI 7687 3X12 ZB	1,00			--



Ref. K	Part N.	Customer Part N.	Description	Qty	Validity: From	To	Price
0040	VTDD00001		NUT UNI 5588 M3 ZB	1,00			--
0041	MODS00001		MOTOR HONDA GX 160 K1 SX4 OH	1,00			--
0042	VTDD00039		NUT AUTOBLOCCANTE M4	4,00			--
0043	LAFN00009		BRACKET PROTEZIONE	1,00			--
0044	VTVT72043		SCREW M 4 X16 TC UNI7687	4,00			--
0045	VEVR45113		VENTILATOR 24V RF.	1,00			--
0046	VTVT75726		SCREW TBEI M 6X 16 ISO 7380 ZB	4,00			--
0047	VTDD86633		NUT AUTO BLOCK M6 DIN 985	2,00			--
0048	VTDD00491		NUT M 6 TEF	4,00			--
0049	LAFN45978		CONVEYOR L.14	1,00			--
0050	GUVR45977		GASKET L.14	1,00			--
0051	VTDD00124		NUT M 8 BASSO	4,00			--
0052	VTRS01080		WASHER D. 8 GRW	4,00			--
0053	VTRS00504		WASHER D. 8 TE ZC. UNI 6592	4,00			--
0054	LAFN06796		TUBE ASTA LIVELLO OLIO	1,00			--
0055	VTDD00124		NUT M 8 BASSO	4,00			--
0056	VTRS00512		WASHER D. 8 X24 ZC.	4,00			--
0057	ABGO00007		VIBRATION DAMP.MM 30X25 8X16	4,00			--
0058	VTRS00512		WASHER D. 8 X24 ZC.	4,00			--
0059	LAFN47159		MOTOR PLATE L.14	1,00			--
0060	MPVR47166		PROTECTION L.14 TLR.	1,00			--
0061	LAFN47167		BRACKET L.14	1,00			--
0062	VTRS00503		WASHER D. 6 TE UNI 6798	2,00			--
0063	VTDD00491		NUT M 6 TEF	2,00			--
0064	METT45116		CONTACTOR 24V T106 P	2,00			--
0065	VTVT62920		SCREW TE F/ROND. M 6X 16 ZB	2,00			--
0067	FSVR19693		CLAMP D. 7-11	1,00			--
0068	VTVT62920		SCREW TE F/ROND. M 6X 16 ZB	2,00			--
0069	VTDD00491		NUT M 6 TEF	2,00			--
0070	TBBP00383		ROD LIVELLO OLIO	1,00			--
0071	FSVR00005		CLAMP TIPO "ECO"FORO MM8 D.1 W0	1,00			--
0072	VTDD00482		NUT M 6 ZIN UNI 5588	2,00			--
0073	MPVR04911		RUBBER ASTA LIVELLO OLIO	1,00			--
0074	VTVT00527		SCREW TE FR 6x10 ZB ZIGRINATE	2,00			--
0075	VTVT00450		SCREW TE 8X40 UNI5739	4,00			--
0076	MEEV47161		SOLENOID VALVE FUEL	1,00			--
0077	FTCO34840		FUEL FILTER FB 1	1,00			--
0078	FSVR19692		CLAMP D. 11-16 VT	9,00			--
0080	LAFN00769		SHEET METAL PA.DIVIS.VANO MOTOR.1300 VER	1,00			--



Ref.	K	Part N.	Customer Part N.	Description	Qty	Validity:		Price
						From	To	
0081		MEVR00094		FAIR-LEAD EGP15-20S.60 PAS1	1,00			--
0082		GUVR00009		GASKET RACC.SERBATOIO BENZINA	1,00			--
0083		RCVR00037		CONNECTOR PORTAGOMMA SERB.HONDA	1,00			--
0084		ITSO00050		PANEL ISOLATORE	1,00			--
0085		VTVT62920		SCREW TE F/ROND. M 6X 16 ZB	2,00			--
0086		KTRI00257		KIT SOLLEVAMENTO SPAZZ.G1400	1,00			--
0087		ITSO00051		PANEL LAMIERA	1,00			--
0088		LAFN06982		BULKWARD -	1,00			--
0089		ITSO00053		PANEL ISOLATORE	1,00			--
0090		ITSO00049		PANEL ISOLATORE	1,00			--
0091		ITSO00048		PANEL ISOLATORE	1,00			--
0092		LAFN06981		CONVEYOR -	1,00			--
0093		VTVT01314		SCREW TCEI M6 X 12 INOX	2,00			--
0094		ITSO00007		PANEL FONOASS.MEZZALUNA DIESEL	2,00			--
0095		RCVR00083		CONNECTOR A "T"	1,00			--
0096		RCVR00084		CONNECTOR A "L"	1,00			--
0097		TBBP00023		TUBE COMBUSTIBILE L=25cm	1,00			--
0099		LAFN06838		BRACKET FISSA ASTA OLIO	1,00			--

