



IPC Integrated Professional Cleaning

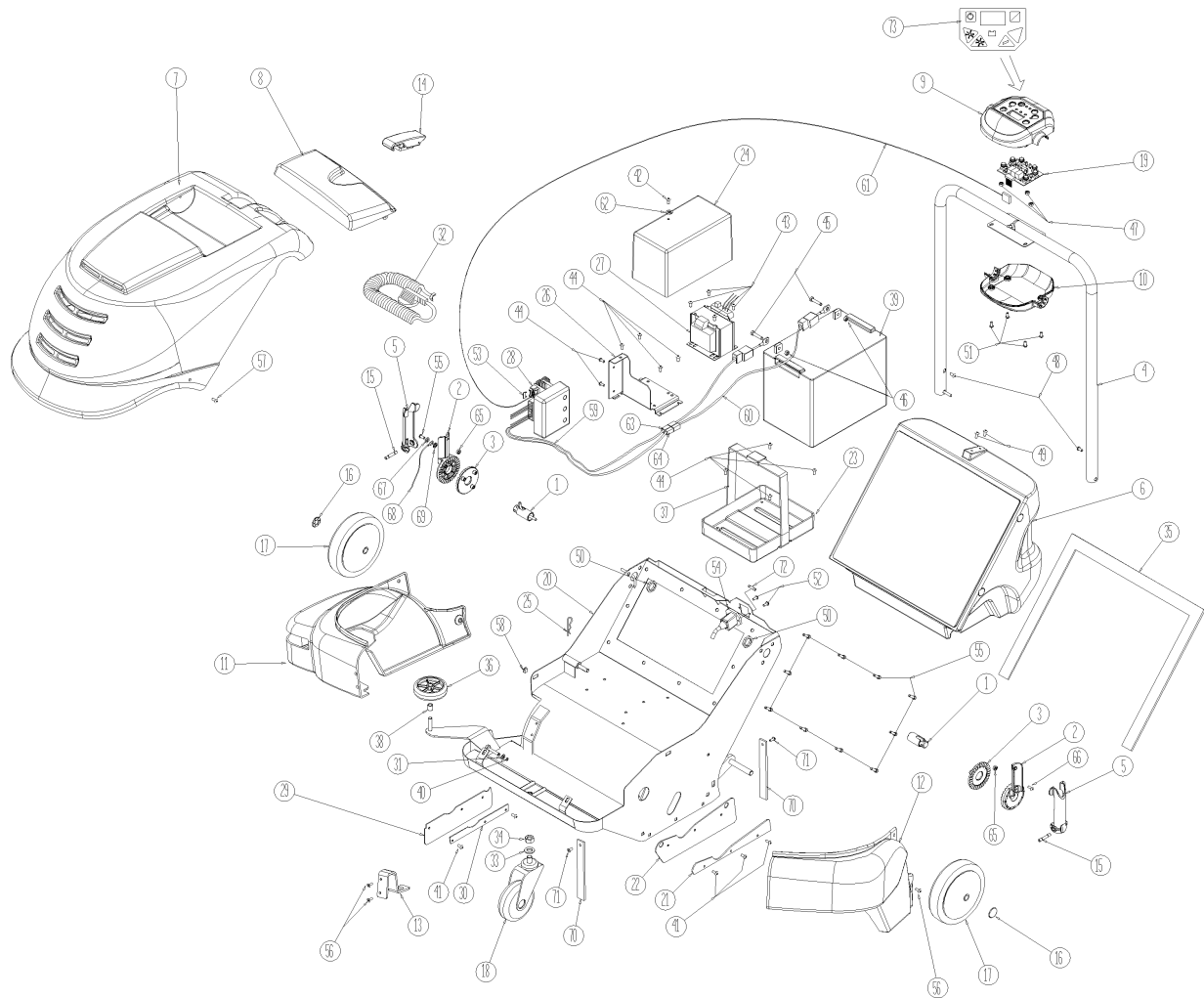
IPCGansow

Spare Parts List

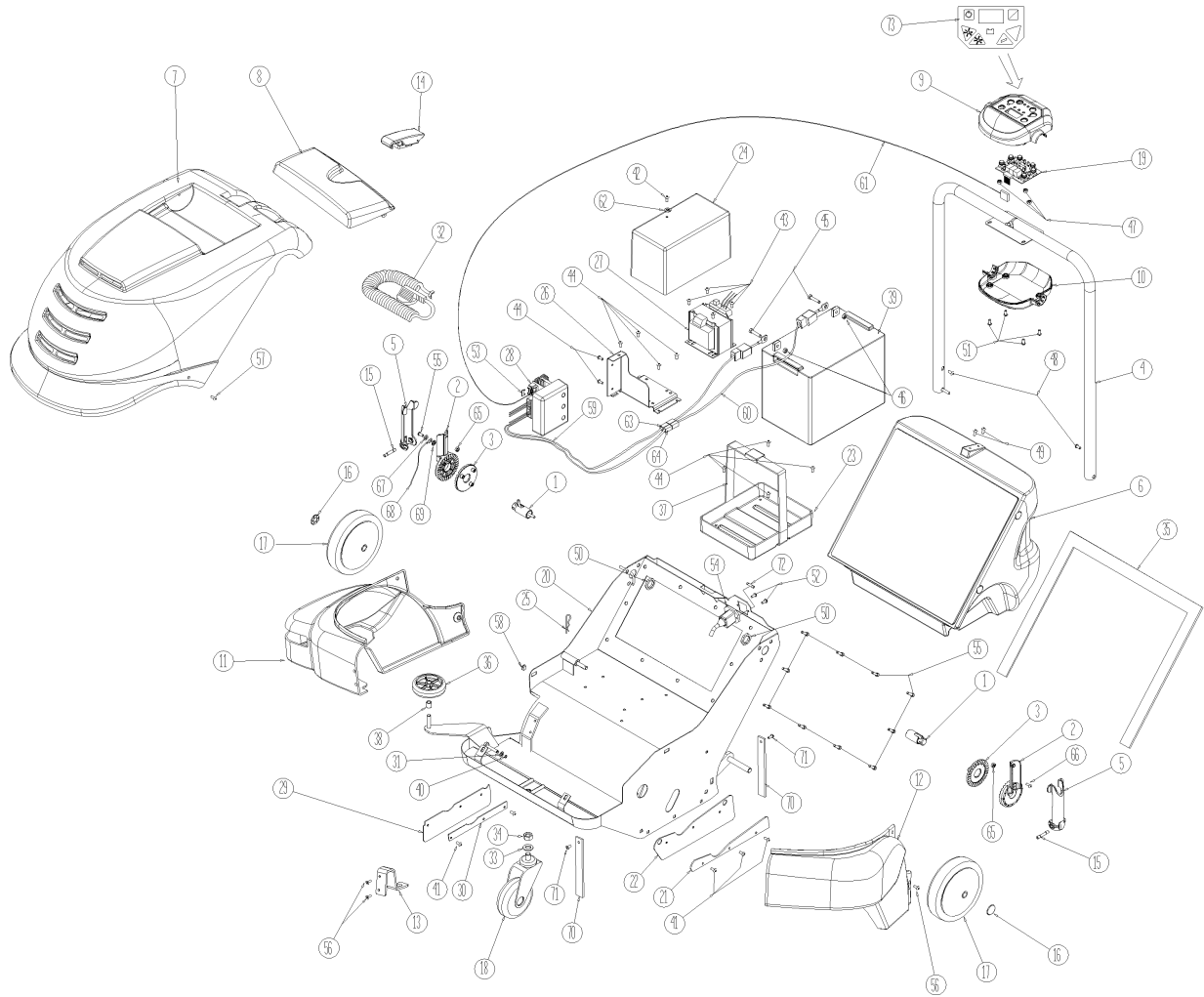
TAVERNARO AG

Ref: MSUT00473

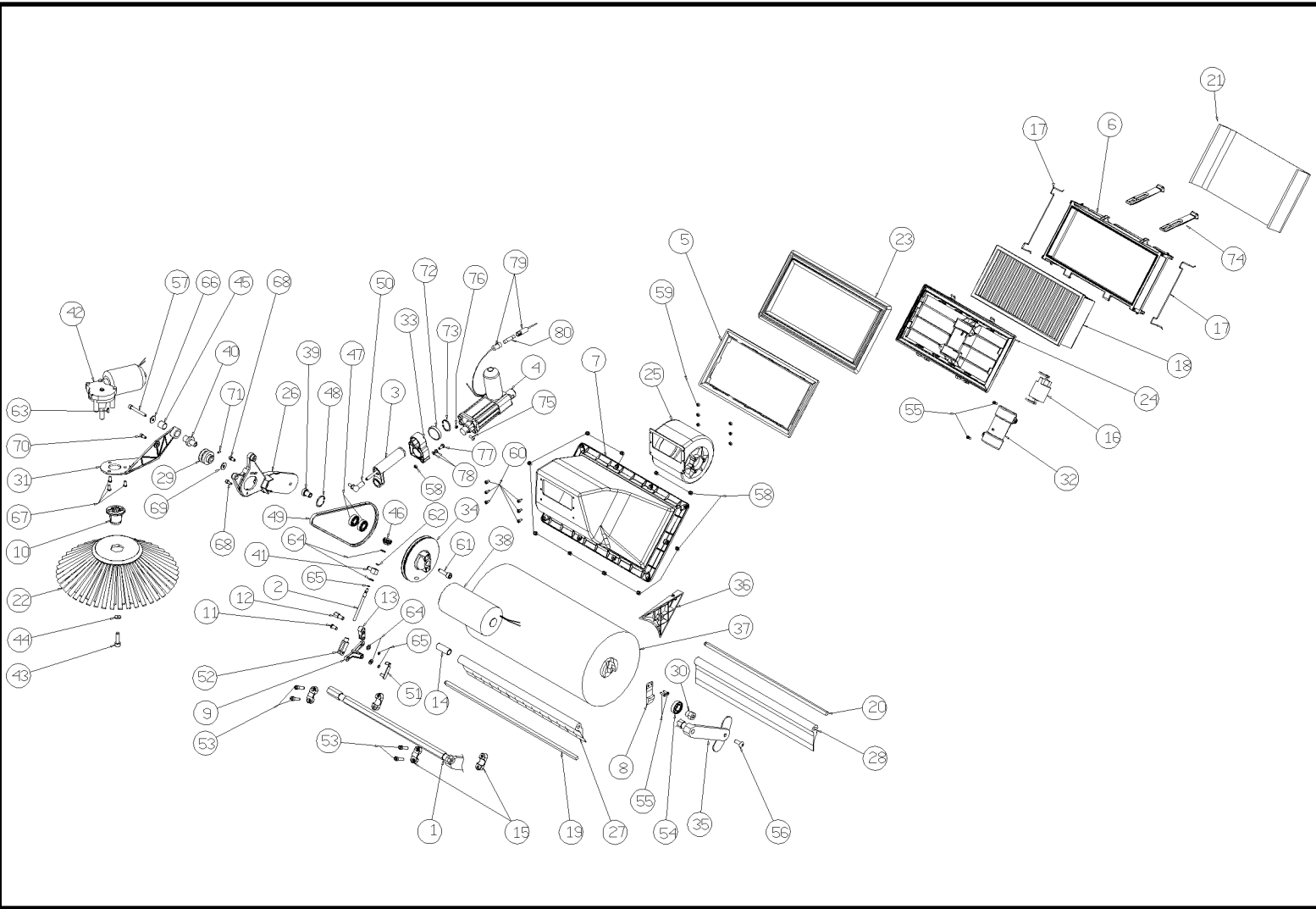
Model: Spazz. SILVER 464 gri/gri 230V IPC



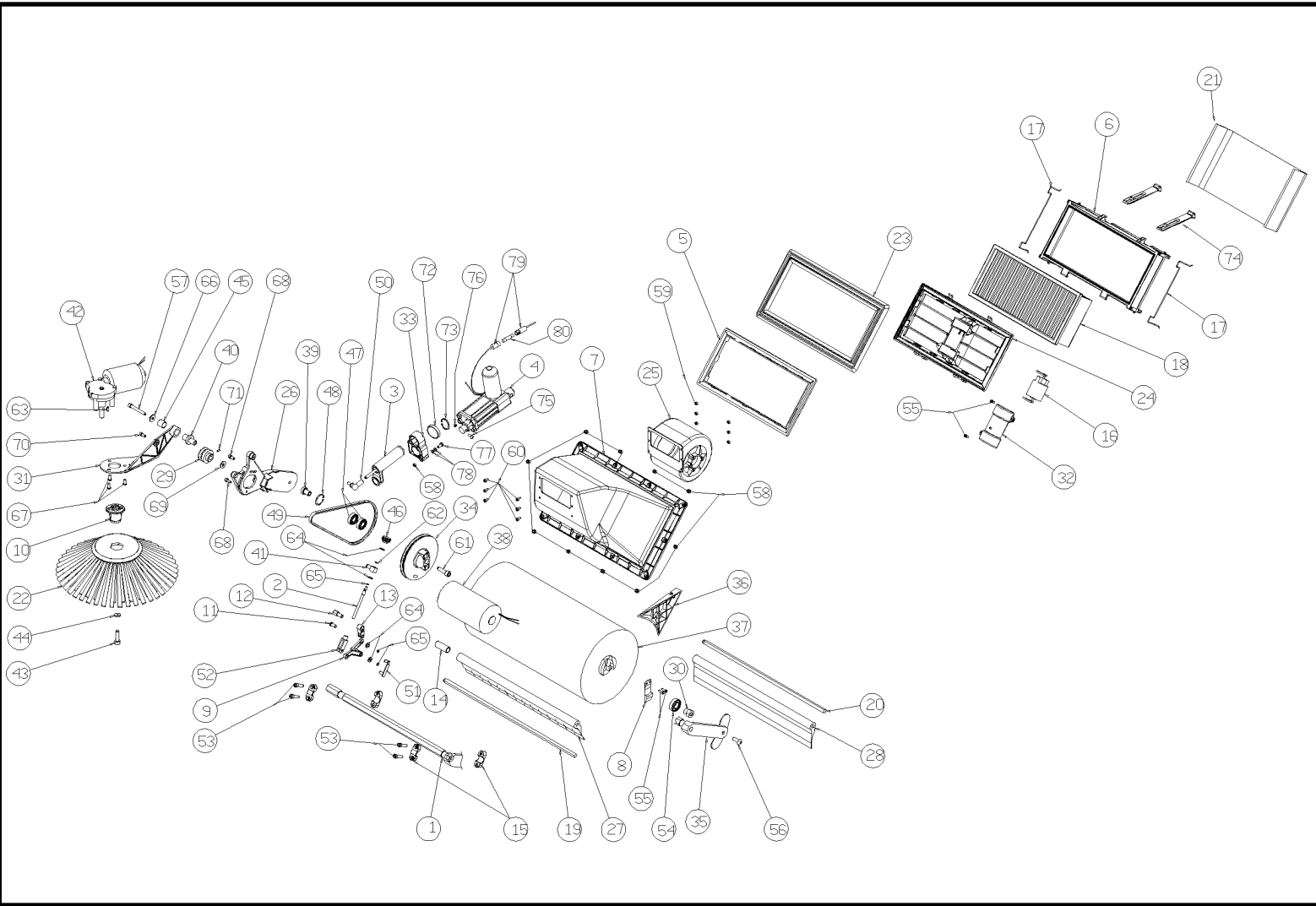
| Ref. K | Part N. | Customer Part N. | Description | Qty | Validity: | | Price |
|--------|-----------|------------------|--------------------------------------|------|-----------|----|-------|
| | | | | | From | To | |
| 0001 | LAFN01223 | | PIN ROTAZIONE MANIGLIONE | 2,00 | | | -- |
| 0002 | MPVR00914 | | HOOK MARGHERITA | 2,00 | | | -- |
| 0003 | MPVR00915 | | HOOK MARGHERITA | 2,00 | | | -- |
| 0004 | LAFN06583 | | HANDLE SILVER 460 + IMPUGNATURE | 1,00 | | | -- |
| 0005 | MPVR00917 | | CLAMP MANIGLIONE | 2,00 | | | -- |
| 0006 | MPVR00921 | | DRAWER RIFIUTI | 1,00 | | | -- |
| 0007 | MPVR04866 | | HOOD SUPERIORE GENIUS 464 | 1,00 | | | -- |
| 0008 | MPVR04867 | | COVER COFANO SUPERIORE G.464 | 1,00 | | | -- |
| 0009 | MPVR04643 | | INSTR.PANEL SUPERIORE SILVER 460 | 1,00 | | | -- |
| 0010 | MPVR04644 | | INSTR.PANEL INFERIORE SILVER 460 | 1,00 | | | -- |
| 0011 | MPVR04864 | | COVER LATERALE DX GENIUS 464 | 1,00 | | | -- |
| 0012 | MPVR04865 | | COVER LATERALE SX GENIUS 464 | 1,00 | | | -- |
| 0013 | LAFN06806 | | BRACKET FISSA FIANCATA | 1,00 | | | -- |
| 0014 | MPVR00902 | | HANDLE BLOCCA CASSETTO | 1,00 | | | -- |
| 0015 | LAFN01237 | | PIN BLOCCAGGIO MANIGLIONE | 2,00 | | | -- |
| 0016 | VTVR00305 | | WASHER DI FERMO DIAMETRO 12 | 2,00 | | | -- |
| 0017 | RTRT00039 | | WHEEL POSTERIORE | 2,00 | | | -- |
| 0018 | RTRT00040 | | WHEEL ANTERIORE | 1,00 | | | -- |
| 0019 | MECE00020 | | BOARD DISPLAY | 1,00 | | | -- |
| 0020 | LAFN01219 | | FRAME P203 | 1,00 | | | -- |
| 0021 | LAFN01235 | | PLATE FISSA FLAP SX | 1,00 | | | -- |
| 0022 | MPVR00938 | | FLAP LATERALE SX | 1,00 | | | -- |
| 0023 | MPVR00923 | | CONTAINER BATTERIA | 1,00 | | | -- |
| 0024 | MPVR00941 | | COVER SCHEDA POTENZA | 1,00 | | | -- |
| 0025 | VTVR47052 | | SPLIT PIN "R" D. 2 X 43 ZC | 1,00 | | | -- |
| 0026 | LAFN01236 | | SUPPORT SCHEDA POTENZA | 1,00 | | | -- |
| 0027 | MECE00022 | | TRANSFORMER PER CARICA BATTERIA 230V | 1,00 | | | -- |
| 0028 | MECE00025 | | BOARD DI POTENZA COMPLETA | 1,00 | | | -- |
| 0029 | MPVR00937 | | FLAP LATERALE DX | 1,00 | | | -- |
| 0030 | LAFN01234 | | PLATE FISSA FLAP DX | 1,00 | | | -- |
| 0031 | VTRS00011 | | WASHER UNI 6592 6X12 ZB | 1,00 | | | -- |
| 0032 | MECB00922 | | EXTENSION 3X0,75 SPINA SHUKO | 1,00 | | | -- |
| 0033 | VTRS86510 | | WASHER 15X24 UNI6592 | 1,00 | | | -- |
| 0034 | VTDD00012 | | NUT AUTOBLOK DIN 985 M12 ZB | 1,00 | | | -- |
| 0035 | MPVR01708 | | KIT MOUSSE SILVER 460 | 1,00 | | | -- |
| 0036 | RTRT00011 | | WHEEL D.150 GRI/NR PARAC.SILVER | 1,00 | | | -- |
| 0037 | MTCG00011 | | BELT ELASTICA PER BATTERIA | 1,00 | | | -- |
| 0038 | LAFN75911 | | SPACER D.12 h.7 | 1,00 | | | -- |
| 0039 | BAAC00019 | | BATTERY 12V 45AH GEL | 1,00 | | | -- |



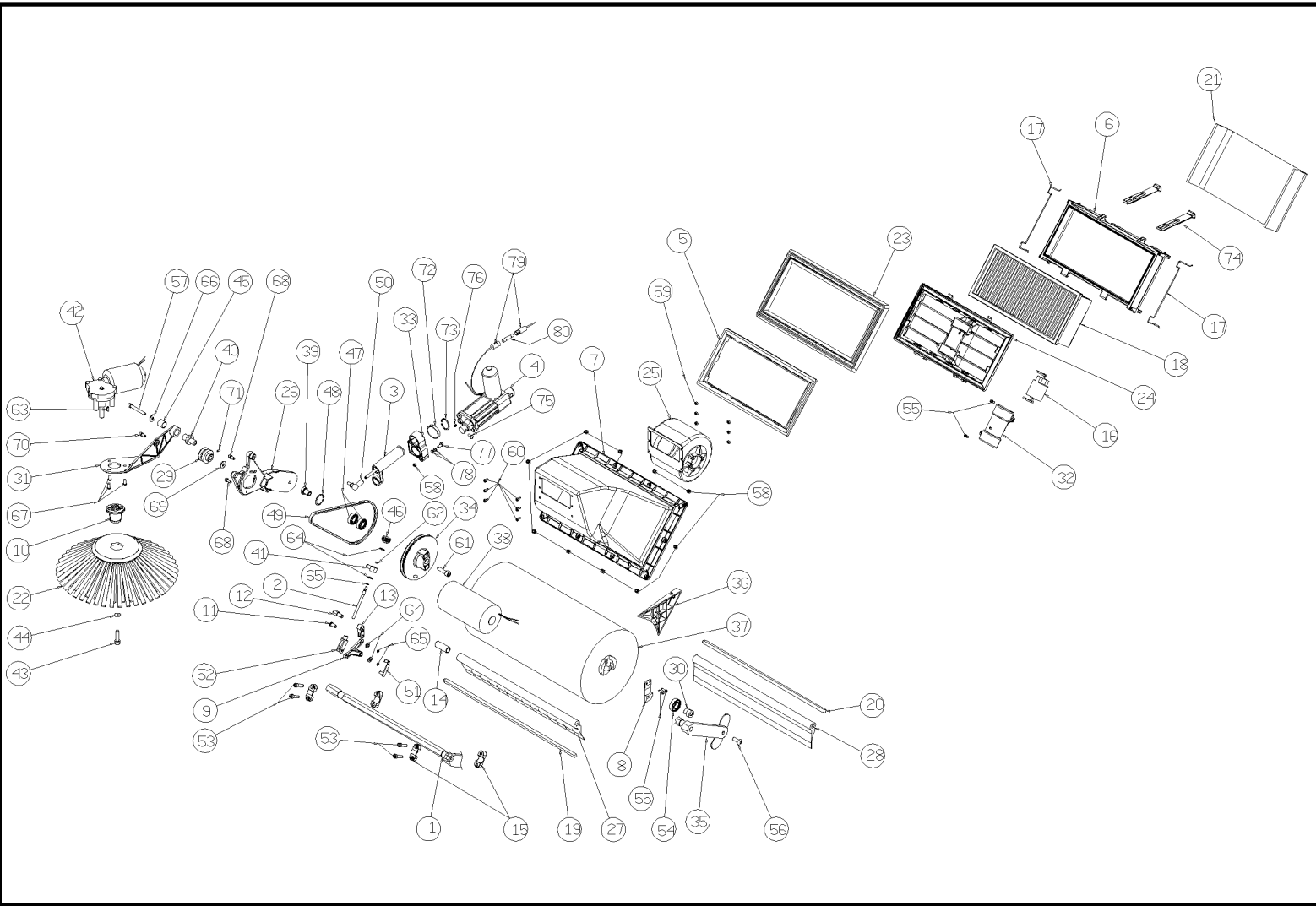
| Ref. K | Part N. | Customer Part N. | Description | Qty | Validity: | | Price |
|--------|-----------|------------------|--------------------------------|-------|-----------|----|-------|
| | | | | | From | To | |
| 0040 | VTAE48552 | | CIRCLIP D. 6 UNI 7435 | 1,00 | | | -- |
| 0041 | VTVT00106 | | SCREW AUTOFIL. TC 3,5X14,5 | 5,00 | | | -- |
| 0042 | VTVT00003 | | SCREW TE UNI 5739 4X12 ZB | 1,00 | | | -- |
| 0043 | VTVT72043 | | SCREW M 4 X16 TC UNI7687 | 4,00 | | | -- |
| 0044 | VTVT00003 | | SCREW TE UNI 5739 4X12 ZB | 10,00 | | | -- |
| 0045 | VTVT00104 | | SCREW TE UNI 5739 6X18 ZB | 2,00 | | | -- |
| 0046 | VTDD00482 | | NUT M 6 ZIN UNI 5588 | 2,00 | | | -- |
| 0047 | VTDD00002 | | NUT UNI 5588 M4 ZB | 3,00 | | | -- |
| 0048 | VTVT00993 | | SCREW TC UNI 8112 TRILOBATA | 2,00 | | | -- |
| 0049 | VTVT00075 | | SCREW TSCE UNI 5933 5X20 ZB | 2,00 | | | -- |
| 0050 | LAFN06270 | | RING NUT BLOCCAGGIO MARGHERITA | 2,00 | | | -- |
| 0051 | VTVT14062 | | SCREW TE 5X16 UNI5739 | 4,00 | | | -- |
| 0052 | VTVT01353 | | SCREW TSCE UNI 5933 3X8 ZB | 2,00 | | | -- |
| 0053 | MEVR00039 | | FUSE LAMELLARE 20A | 1,00 | | | -- |
| 0054 | MEVR01930 | | PLUG CON FUSIBILE | 1,00 | | | -- |
| 0055 | VTVT83145 | | SCREW TSCE UNI 5933 5X15 ZB | 11,00 | | | -- |
| 0056 | VTVT75726 | | SCREW TBEI M 6X 16 ISO 7380 ZB | 4,00 | | | -- |
| 0057 | VTVT09916 | | SCREW TBEI M 6X 20 ISO 7380 ZB | 2,00 | | | -- |
| 0058 | VTDD00501 | | NUT INGABBIATO M6 | 4,00 | | | -- |
| 0059 | MECE00026 | | WIRING SILVER 460 E | 1,00 | | | -- |
| 0060 | MECB00924 | | CABLE COLL.BATT.+CAPPUC | 1,00 | | | -- |
| 0061 | MECE00023 | | CABLE PCB DISPLAY | 1,00 | | | -- |
| 0062 | VTRS15959 | | WASHER D. 4X12 UNI 6593 | 1,00 | | | -- |
| 0063 | MEVR00082 | | CONNECTOR PP75 CORPO NERO | 1,00 | | | -- |
| 0064 | MEVR00083 | | CONNECTOR PP75 CORPO ROSSO | 1,00 | | | -- |
| 0065 | VTDD00017 | | NUT AUTOBLOK DIN 985 M5 | 2,00 | | | -- |
| 0066 | VTVT05726 | | SCREW TSCE UNI 5933 5X12 ZB | 1,00 | | | -- |
| 0067 | VTRS00010 | | WASHER UNI 6592 5X10 ZB | 1,00 | | | -- |
| 0068 | MECB00971 | | WIRING FUGGISCOSSA | 1,00 | | | -- |
| 0069 | VTRS03924 | | WASHER D. 5 DIN 6798E | 1,00 | | | -- |
| 0070 | MPVR04693 | | RUBBER FUGGISCOSSA | 2,00 | | | -- |
| 0071 | VTVT62920 | | SCREW TE F/ROND. M 6X 16 ZB | 2,00 | | | -- |
| 0072 | MEVR00150 | | FUSE 2.5 A 250V 5X20 | 1,00 | | | -- |
| 0073 | ETET00146 | | LABEL CRUSCOTTO P203 | 1,00 | | | -- |



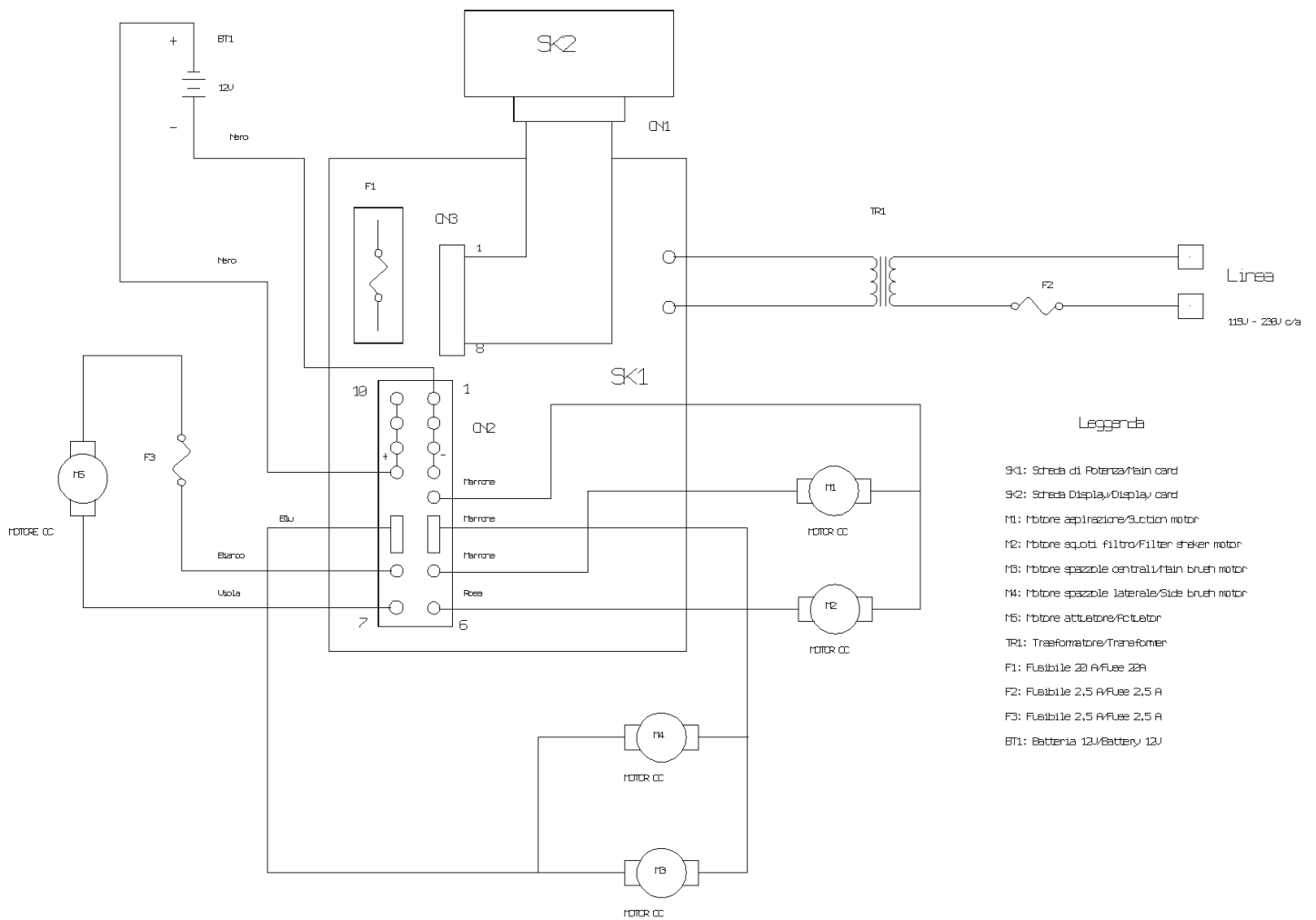
| Ref. K | Part N. | Customer Part N. | Description | Qty | Validity: | | Price |
|--------|-----------|------------------|-----------------------------------|------|-----------|----|-------|
| | | | | | From | To | |
| 0001 | ALTR00041 | | SHAFT COMANDO SPAZZOLA CENTRALE | 1,00 | | | -- |
| 0002 | ALTR00042 | | ROD MANOPOLA REGOLAZIONE | 1,00 | | | -- |
| 0003 | LAFN01238 | | GUIDE ASTUCC.MOLLA | 1,00 | | | -- |
| 0004 | MOCC00034 | | ATUATOR SPAZZOLA CENTRALE | 1,00 | | | -- |
| 0005 | MPVR00918 | | CLAMP TELAIO SCUOTIFILTRO | 1,00 | | | -- |
| 0006 | MPVR00919 | | CLAMP FILTRO | 1,00 | | | -- |
| 0007 | MPVR04645 | | CRANKCASE VENTILATORE | 1,00 | | | -- |
| 0008 | PMVR00333 | | LEVER AGGANCI SPAZZOLA COMPL. | 1,00 | | | -- |
| 0009 | MPVR00934 | | ARM RINVIO SPAZZOLA LAT. | 1,00 | | | -- |
| 0010 | MPVR01707 | | HUB SPAZZOLA LATERALE 460 | 1,00 | | | -- |
| 0011 | MPVR00932 | | PIN BIELLETTA | 1,00 | | | -- |
| 0012 | LAFN01227 | | PIN COMANDO BRACCIO SPAZZ.LAT | 1,00 | | | -- |
| 0013 | MPVR00916 | | CONNECTING ROD RINVIO SPAZZ. LAT. | 1,00 | | | -- |
| 0014 | LAFN01221 | | SPACER FLAP ANTERIORE | 1,00 | | | -- |
| 0015 | MPVR00807 | | SUPPORT BRACCIO REGOL.SPAZZ. | 2,00 | | | -- |
| 0016 | MOCC00035 | | MOTOR 10035 | 1,00 | | | -- |
| 0017 | MLML00040 | | SPRING PREFILTRO | 2,00 | | | -- |
| 0018 | FTDP00013 | | FILTER IN CARTA | 1,00 | | | -- |
| 0019 | LAFN01232 | | PIN PORTA FLAP ANTERIORE | 1,00 | | | -- |
| 0020 | LAFN01233 | | PIN PORTA FLAP POSTERIORE | 1,00 | | | -- |
| 0021 | FTDP00014 | | FILTER P203 | 1,00 | | | -- |
| 0022 | SPPV00303 | | BRUSH LATERALE NUOVA | 1,00 | | | -- |
| 0023 | MPVR00931 | | GASKET PORTAFILTRO | 1,00 | | | -- |
| 0024 | MPVR00933 | | FRAME SCUOTITORE | 1,00 | | | -- |
| 0025 | MOCC00036 | | MOTOR VENTOLA ASPIRAZIONE | 1,00 | | | -- |
| 0026 | MFVR00025 | | ARM SPAZZOLA CENTR. LAT. TRAZ | 1,00 | | | -- |
| 0027 | MPVR00935 | | FLAP ANTERIORE | 1,00 | | | -- |
| 0028 | MPVR00936 | | FLAP POSTERIORE | 1,00 | | | -- |
| 0029 | MTPL00038 | | PULLEY MOTORE SPAZZOLA CENTRALE | 1,00 | | | -- |
| 0030 | LAFN01230 | | PIN SPAZZOLA CENTRALE LAT.SX | 1,00 | | | -- |
| 0031 | LAFN15263 | | ARM SPAZZOLA LATERALE | 1,00 | | | -- |
| 0032 | MPVR00925 | | COVER VIBRO SCUOTITORE | 1,00 | | | -- |
| 0033 | MPVR00943 | | GUIDE MOLLA | 1,00 | | | -- |
| 0034 | MTPL00039 | | PULLEY COMANDO SPAZZOLA CENTRALE | 1,00 | | | -- |
| 0035 | MFVR00026 | | ARM SPAZZOLA CENTR. LAT. SX | 1,00 | | | -- |
| 0036 | MPVR00940 | | CONVEYOR P203 | 1,00 | | | -- |
| 0037 | PMVR01121 | | BRUSH CENTRALE CON LEVA | 1,00 | | | -- |
| 0038 | MOCC00033 | | MOTOR SPAZZOLA CENTRALE | 1,00 | | | -- |
| 0039 | LAFN01229 | | PIN PULEGGIA SPAZZOLA CENTR. | 1,00 | | | -- |



| Ref. K | Part N. | Customer Part N. | Description | Qty | Validity: From | To | Price |
|--------|-----------|------------------|-----------------------------------|-------|----------------|----|-------|
| 0040 | LAFN01228 | | PIN ROTAZIONE BRACCIO SPA.LAT | 1,00 | | | -- |
| 0041 | LAFN01220 | | BLOCK SNODO ASTA REGOLAZIONE | 1,00 | | | -- |
| 0042 | MOCC00037 | | MOTOR SPAZZOLA LATERALE | 1,00 | | | -- |
| 0043 | VTVT29884 | | SCREW TE M 4X 16 UNI 5739 | 1,00 | | | -- |
| 0044 | VTRS05904 | | WASHER D. 4 X16 2.083 | 1,00 | | | -- |
| 0045 | LAFN06774 | | BUSHING GLYCODUR GLY.PG 14-16-15F | 1,00 | | | -- |
| 0046 | VTVR00303 | | HANDWHEEL V1/30/BFC-M5 | 1,00 | | | -- |
| 0047 | CUVR46942 | | BALL BEARING 6001-2RS1 -SKF | 2,00 | | | -- |
| 0048 | VTAE00010 | | SEEGER INTERNO DIN 472 D.28 | 1,00 | | | -- |
| 0049 | MTCG00019 | | BELT POLY 610 J 3 | 1,00 | | | -- |
| 0050 | VTVR45280 | | ARTICULATION AS M6 | 1,00 | | | -- |
| 0051 | CMCV00009 | | CLIP UNI 1676 | 1,00 | | | -- |
| 0052 | CMCV00006 | | FORK UNI 1676 M6X24 | 1,00 | | | -- |
| 0053 | VTVT06237 | | SCREW TCEI 6X20 UNI5931 | 4,00 | | | -- |
| 0054 | CUVR00164 | | BEARING 6002RS -SKF- | 1,00 | | | -- |
| 0055 | VTVT00099 | | SCREW AUTOF.TC UNI 6954 3,9X13 | 2,00 | | | -- |
| 0056 | VTVT87271 | | SCREW TBEI M 8X 16 ISO 7380 | 1,00 | | | -- |
| 0057 | VTVT00063 | | SCREW TCCE UNI 5931 6X50 ZB | 1,00 | | | -- |
| 0058 | VTDD00017 | | NUT AUTOBLOK DIN 985 M5 | 12,00 | | | -- |
| 0059 | VTDD00009 | | NUT AUTOBLOK DIN 985 M4 BASSO | 6,00 | | | -- |
| 0060 | VTVT00003 | | SCREW TE UNI 5739 4X12 ZB | 6,00 | | | -- |
| 0061 | VTVT01354 | | SCREW TCCE UNI 5931 8X35 ZB | 1,00 | | | -- |
| 0062 | GUGO00288 | | GASKET OR | 1,00 | | | -- |
| 0063 | VTVR75730 | | KEY UNI 6606 3 X 3,7 | 1,00 | | | -- |
| 0064 | VTRS00011 | | WASHER UNI 6592 6X12 ZB | 4,00 | | | -- |
| 0065 | VTAE48552 | | CIRCLIP D. 6 UNI 7435 | 3,00 | | | -- |
| 0066 | VTRS63242 | | WASHER D. 6 X24 ZC | 1,00 | | | -- |
| 0067 | VTVT62920 | | SCREW TE F/ROND. M 6X 16 ZB | 3,00 | | | -- |
| 0068 | VTVT00005 | | SCREW TE FR 5X12 ZB | 1,00 | | | -- |
| 0069 | LAFN01186 | | SPACER STERZO 0,3 | 1,00 | | | -- |
| 0070 | VTVT00005 | | SCREW TE FR 5X12 ZB | 1,00 | | | -- |
| 0071 | VTVT00989 | | GRUB SCREW 4X8 coppa zigrinata | 1,00 | | | -- |
| 0072 | LAFN06775 | | SPACER - | 1,00 | | | -- |
| 0073 | VTAE09655 | | CIRCLIP D. 25 UNI 7435 | 1,00 | | | -- |
| 0074 | MPVR04648 | | TIE ROD FISSA FILTRO SILVER 460 | 2,00 | | | -- |
| 0075 | VTVT00245 | | SCREW TE M6X30 UNI 5739 | 1,00 | | | -- |
| 0076 | VTDD00010 | | NUT AUTOBLOK DIN 985 M6 BASSO | 1,00 | | | -- |
| 0077 | VTVT00847 | | SCREW TBEI M5X25 INOX | 2,00 | | | -- |
| 0078 | VTRS00010 | | WASHER UNI 6592 5X10 ZB | 2,00 | | | -- |



| Ref. K | Part N. | Customer Part N. | Description | Qty | Validity: | | Price |
|--------|-----------|------------------|------------------------------|------|-----------|----|-------|
| | | | | | From | To | |
| 0079 | MECB00925 | | CABLE COLLEGAMENTO ATTUATORE | 1,00 | | | -- |
| 0080 | MEVR00150 | | FUSE 2.5 A 250V 5X20 | 1,00 | | | -- |



| Ref. | K | Part N. | Customer Part N. | Description | Qty | Validity: | | Price |
|------|---|-----------|------------------|--------------------------------------|------|-----------|----|-------|
| | | | | | | From | To | |
| BT1 | | BAAC00019 | | BATTERY 12V 45AH GEL | 1,00 | | | -- |
| F1 | | MEVR00039 | | FUSE LAMELLARE 20A | 1,00 | | | -- |
| F2 | | MEVR00150 | | FUSE 2.5 A 250V 5X20 | 1,00 | | | -- |
| F3 | | MEVR00150 | | FUSE 2.5 A 250V 5X20 | 1,00 | | | -- |
| M1 | | MOCC00036 | | MOTOR VENTOLA ASPIRAZIONE | 1,00 | | | -- |
| M2 | | MOCC00035 | | MOTOR 10035 | 1,00 | | | -- |
| M3 | | MOCC00033 | | MOTOR SPAZZOLA CENTRALE | 1,00 | | | -- |
| M4 | | MOCC00037 | | MOTOR SPAZZOLA LATERALE | 1,00 | | | -- |
| M5 | | MOCC00034 | | ATUATOR SPAZZOLA CENTRALE | 1,00 | | | -- |
| SK1 | | MECE00025 | | BOARD DI POTENZA COMPLETA | 1,00 | | | -- |
| SK2 | | MECE00020 | | BOARD DISPLAY | 1,00 | | | -- |
| TR1 | | MECE00022 | | TRANSFORMER PER CARICA BATTERIA 230V | 1,00 | | | -- |