



IPC Integrated Professional Cleaning

IPCGansow

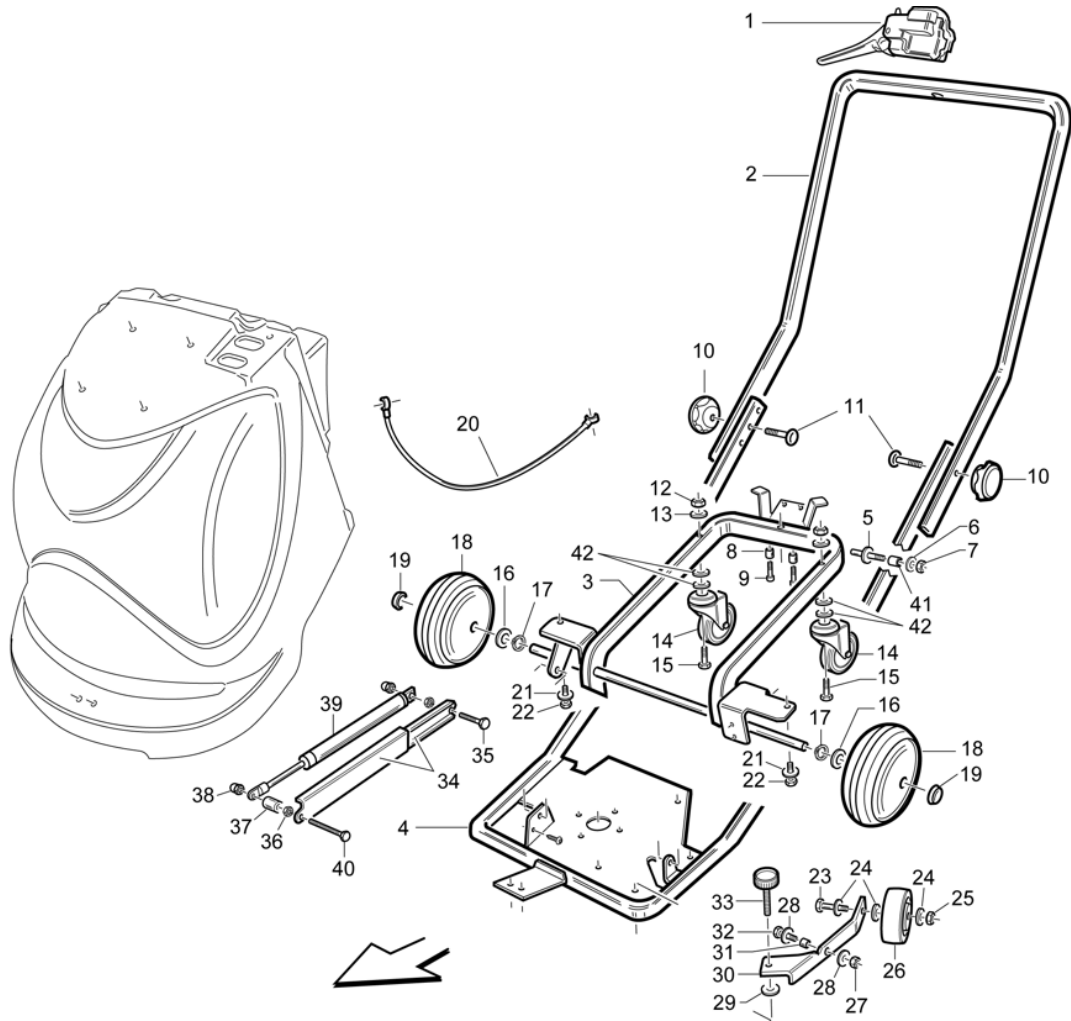
Spare Parts List

TAVERNARO AG

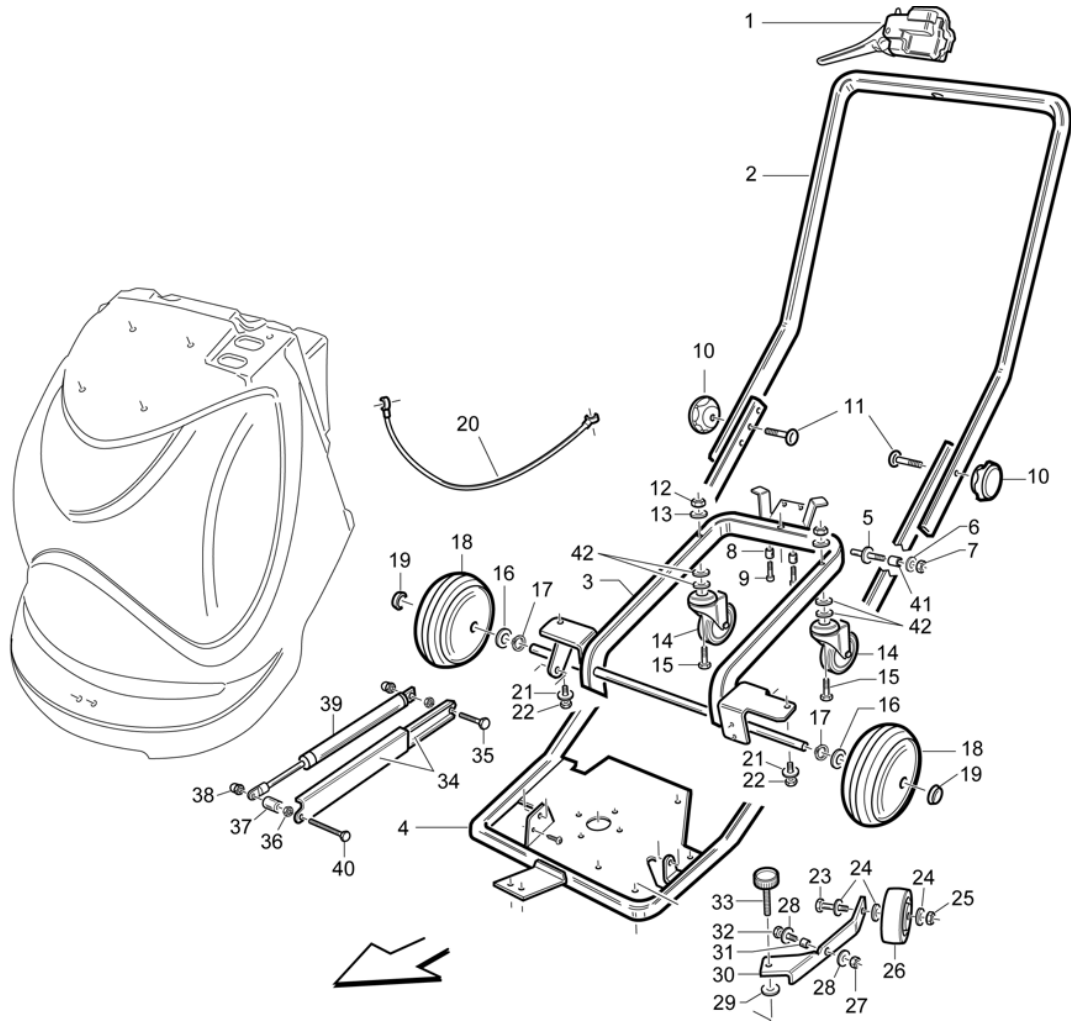
Ref: LPTE00475

Model: LAVASCIUGA GANSY C 230V

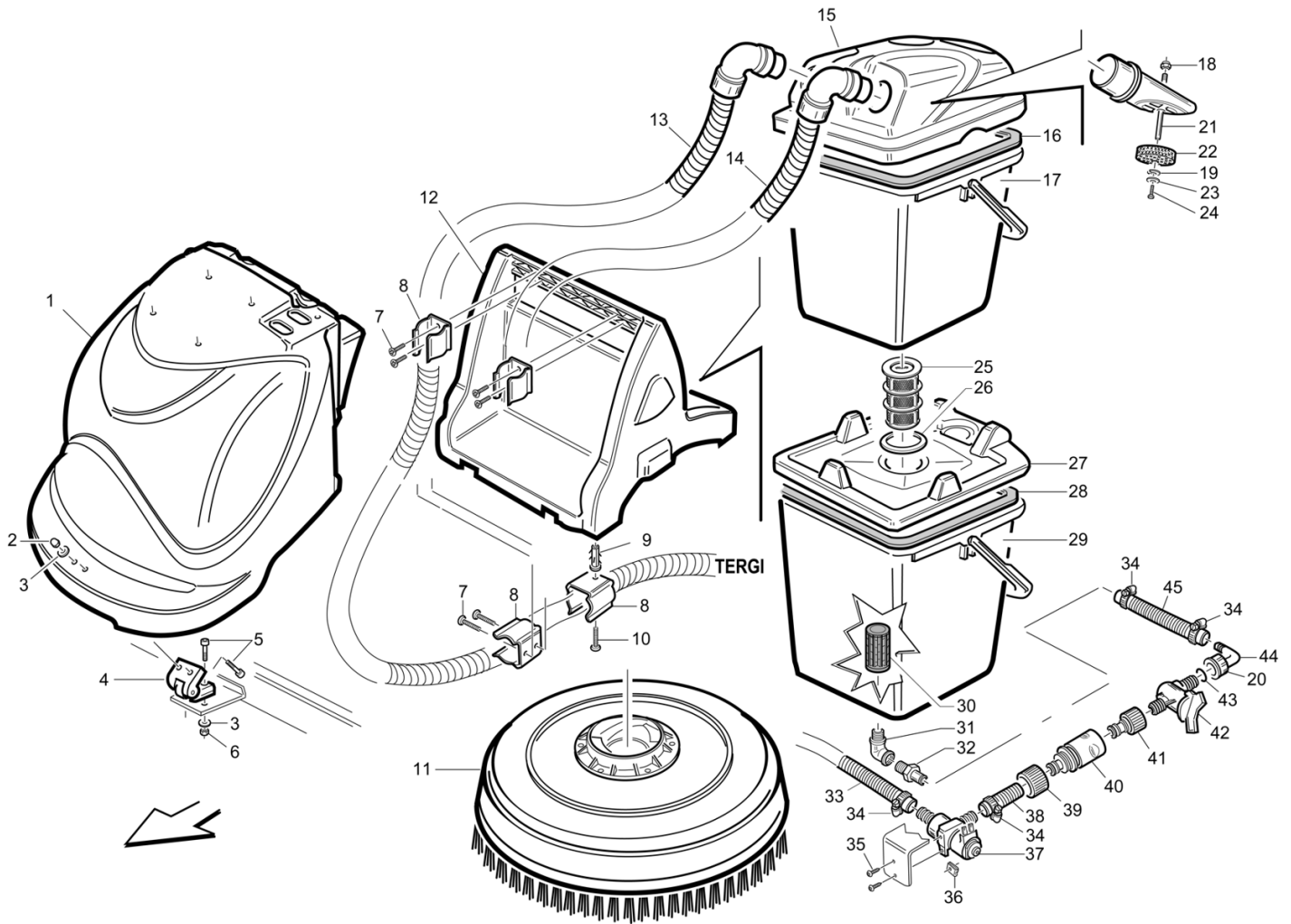
IPC



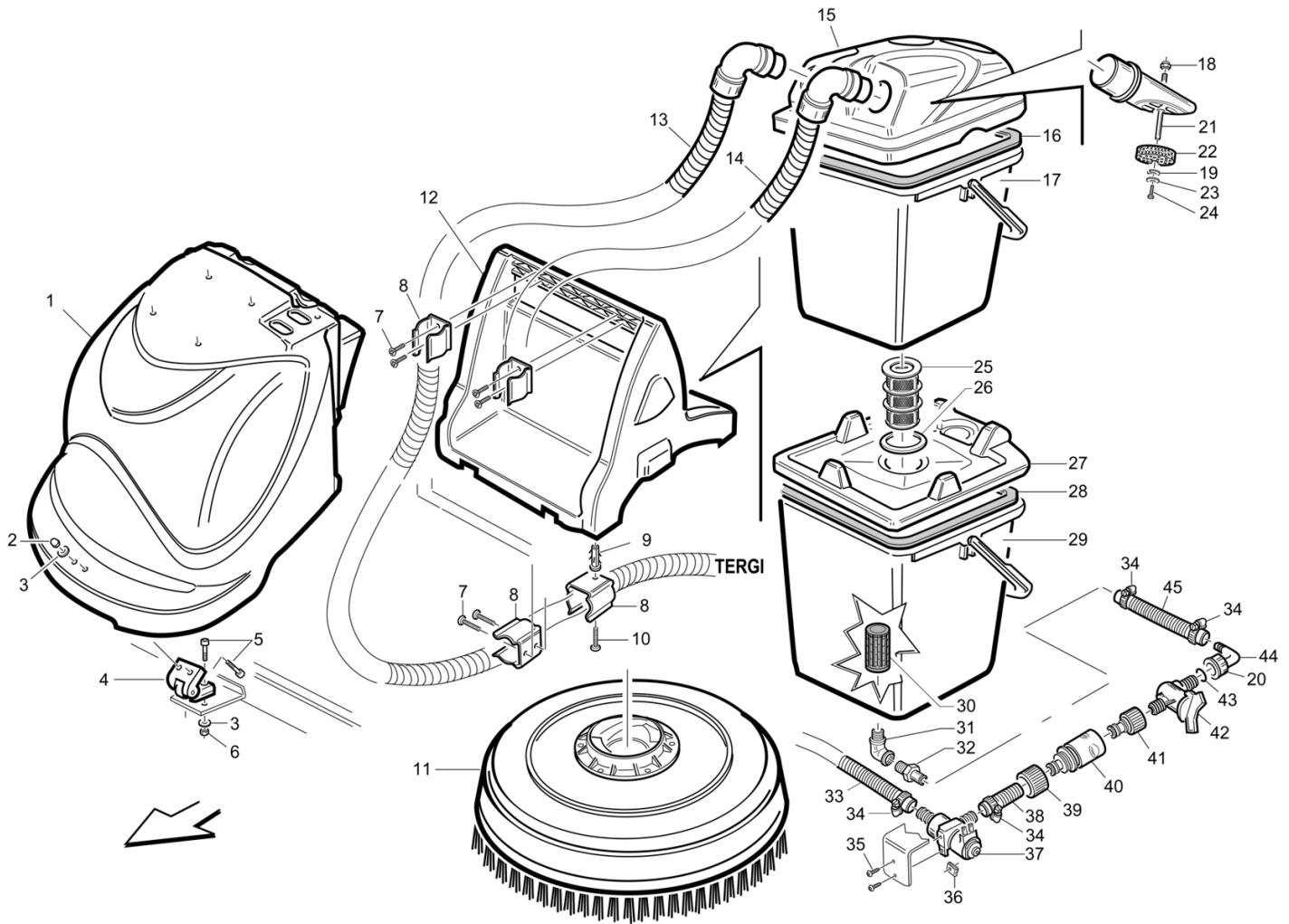
Ref. K	Part N.	Customer Part N.	Description	Qty	Validity: From To	Price
0001	MEVR01732		HANDLE CT25	1,00		--
0002	LAFN06863		HANDLE CT25	1,00		--
0003	LAFN06704		TUBE CT25	1,00		--
0004	LAFN06705		FRAME CT25	1,00		--
0005	LAFN06710		PIN CT25	2,00		--
0006	VTRS13946		WASHER D. 8 X24 INX UNI 6593	2,00		--
0007	VTDD01695		NUT M 8 INX	2,00		--
0008	LAFN04067		BUSHING PER CAVETTO	2,00		--
0009	VTVT17720		SCREW TCEI M 5X16 INOX	2,00		--
0010	MPVR05374		KNOB CT25	2,00		--
0011	VTVT01143		SCREW TTQDE M8X35	2,00		--
0012	VTDD10310		NUT AUTOBL.M10 INOX DIN 985	2,00		--
0013	VTRS15523		WASHER D.10 X21 INOX UNI 6592	2,00		--
0014	RTRT00513		WHEEL 2870	2,00		--
0015	VTVT01679		SCREW TCEI M 10X50	2,00		--
0016	VTRS09142		WASHER D.12 X 36	2,00		--
0017	VTAE00051		CIRCLIP X ALBERO D. 12 U7435 INX	2,00		--
0018	RTRT00039		WHEEL POSTERIORE	2,00		--
0019	VTVR00305		WASHER DI FERMO DIAMETRO 12	2,00		--
0020	CMCV00353		CABLE CT25	1,00		--
0021	VTRS15523		WASHER D.10 X21 INOX UNI 6592	2,00		--
0022	VTVT00715		SCREW TE M.10-35	2,00		--
0023	VTVT00836		SCREW TE M12-60 INOX	1,00		--
0024	VTRS15978		WASHER D.12X24 UNI 6592 INX	2,00		--
0025	VTDD00176		NUT M.12 INOX A2 BASSO AUTOB.	1,00		--
0026	RTRT49171		CASTER D. 80-12	1,00		--
0027	VTDD19689		CARRYNG BAG	1,00		--
0028	VTRS13947		WASHER D. 8 INX UNI 6592	2,00		--
0029	VTRS00374		KNOB -	1,00		--
0030	LAFN06703		BRACKET -	1,00		--
0031	RCDS34717		BUSHING D. 9X12X 8.3	1,00		--
0032	VTVT15907		SCREW TE 8X25 UNI5739 INX	1,00		--
0033	MPVR05375		KNOB CT25	1,00		--
0034	LAFN01252		ARM FRONT	1,00		--
0035	VTVT13939		SCREW TE 6X20 UNI5739 INX	1,00		--
0036	VTDD01694		NUT M 6 INX	1,00		--
0037	LAFN03742		SPACER SILENZIATORE	1,00		--
0038	VTDD48188		NUT M 6 CIE. INX A2 UNI 5721	1,00		--
0039	MLML00314		SPRING -	1,00		--



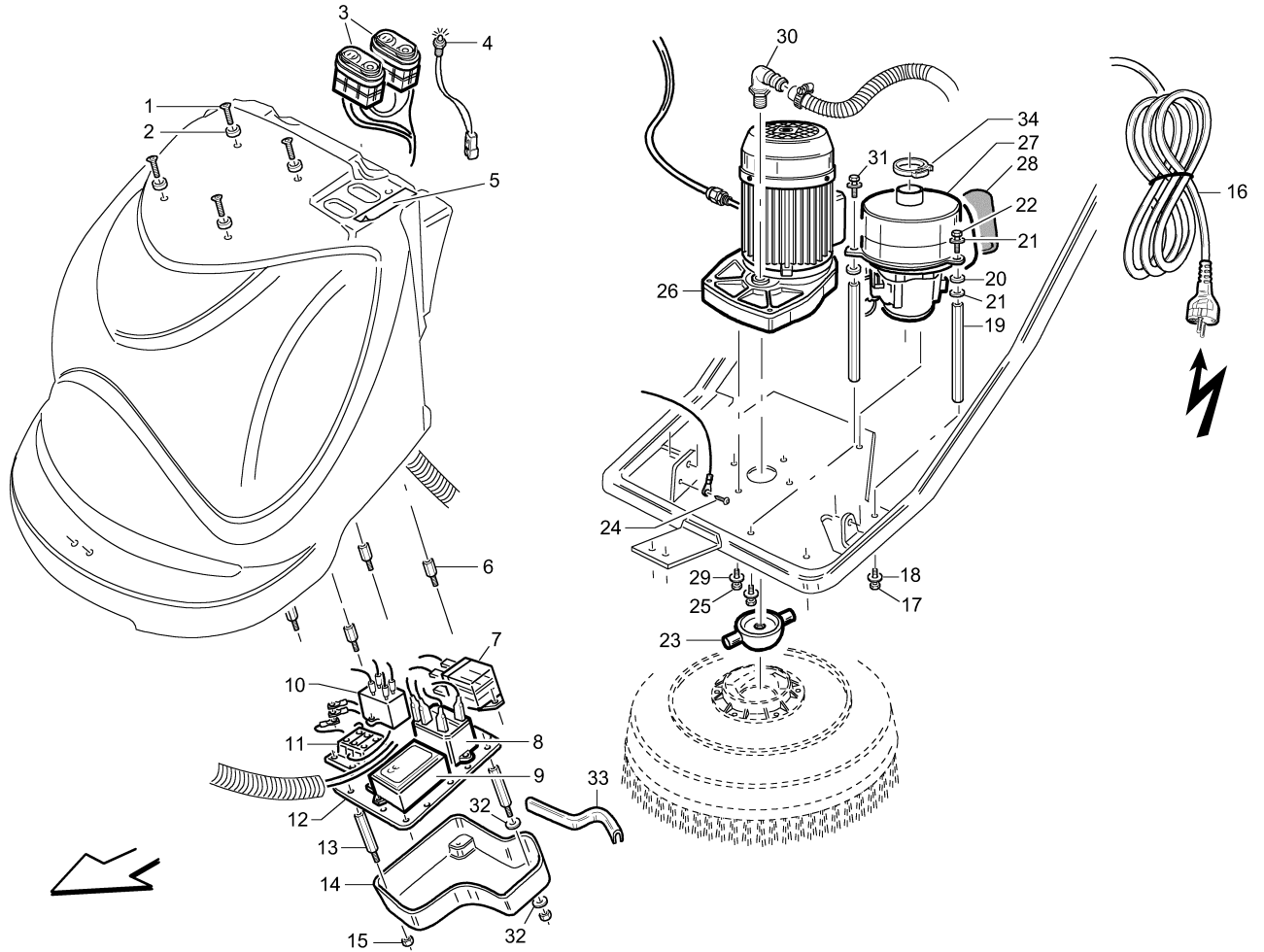
Ref. K	Part N.	Customer Part N.	Description	Qty	Validity:		Price
					From	To	
0040	VTVT00392		SCREW M6x35 UNI5739 inox	1,00			--
0041	LAFN06711		BUSHING CT25	2,00			--



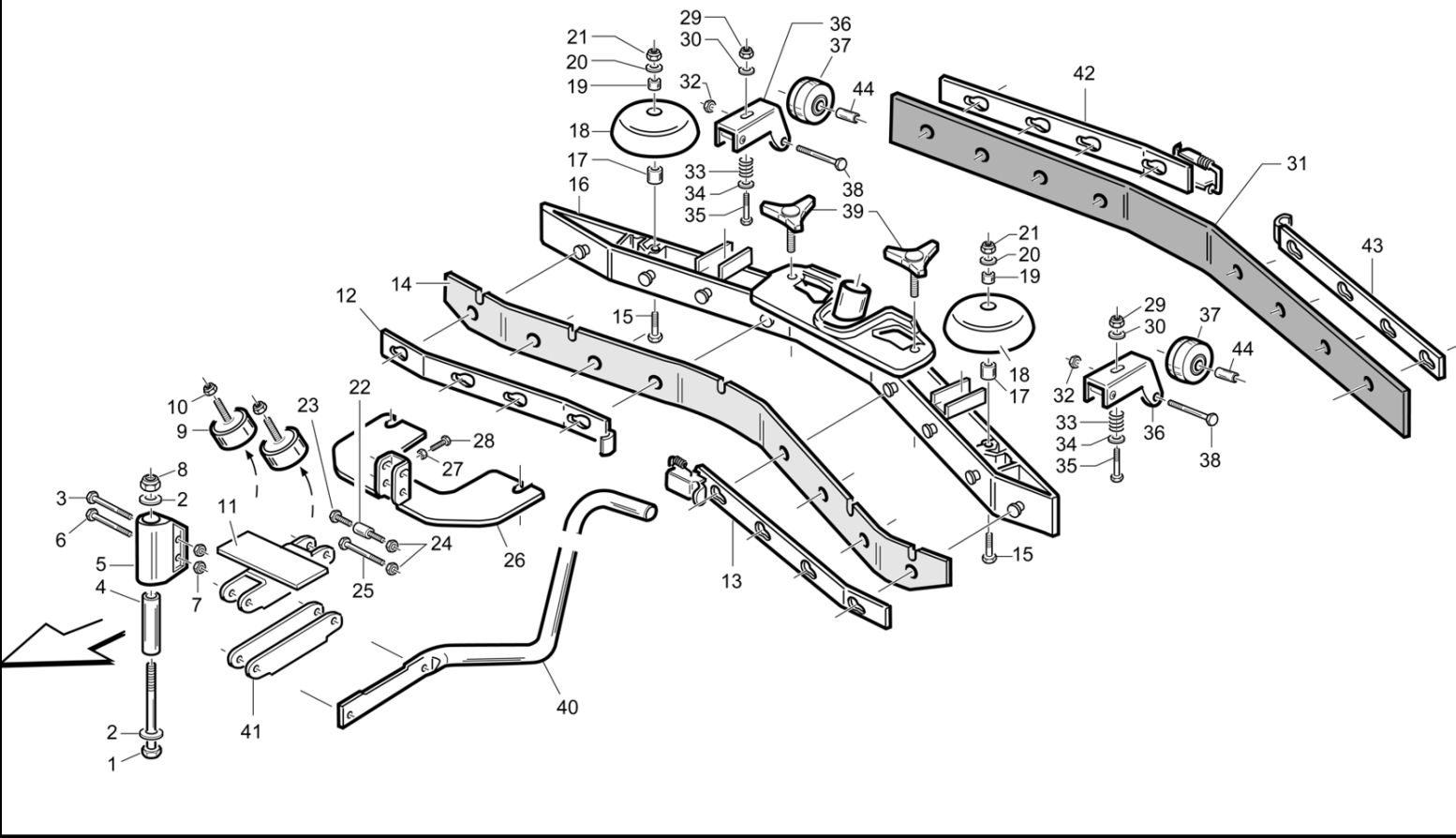
Ref.	K	Part N.	Customer Part N.	Description	Qty	Validity:		Price
						From	To	
0001		MPVR05396		HOOD CT25	1,00			--
0002		VTDD48188		NUT M 6 CIE. INX A2 UNI 5721	2,00			--
0003		VTRS13945		WASHER D. 6X18 INX UNI 6593	4,00			--
0004		CEVR85332		HINGE MEB F D.6 TK	1,00			--
0005		VTVT00717		SCREW TCEI M. 6-16	4,00			--
0006		VTDD01694		NUT M 6 INX	2,00			--
0007		VTVT00043		SCREW AUTOF.LEGNO 4,5X25 TS BR	6,00			--
0008		MPVR46988		CLIP LAV. SHK	3,00			--
0009		VTVR00485		BOSS 8X50	1,00			--
0010		VTVR00485		BOSS 8X50	1,00			--
0011		SPPV01231		BRUSH CT25	1,00			--
0013		TBFX00316		TUBE CT25	1,00			--
0014		TBFX00317		TUBE CT25	1,00			--
0015		MPVR05354		COVER CT25	1,00			--
0016		MPVR05358		MOUSSE CT25	1,00			--
0017		MPVR05457		TANK CT25	1,00			--
0018		VTDD15925		NUT M 4 INX	1,00			--
0019		VTRS15913		WASHER D. 4 GROVER A2 UNI1751	1,00			--
0020		MPVR05240		RING NUT G1/2	1,00			--
0021		LAFN06724		PIN CT25	1,00			--
0022		MPVR05357		FLOATER CT25	1,00			--
0023		VTRS00251		WASHER 4-16 INOX A2	1,00			--
0024		VTVT21096		SCREW TE M 4X 10 INX	1,00			--
0025		FTAC48857		FILTER ASP. ACQUA SERB. LAVAP.	1,00			--
0026		GUGO00267		GASKET FILTRO	1,00			--
0027		MPVR05341		COVER CT25	1,00			--
0028		MPVR05358		MOUSSE CT25	1,00			--
0029		MPVR05458		BASKET LT.25	1,00			--
0030		FTAC00001		FILTER 1/2"	1,00			--
0031		RCVR00094		CURVE 90° 1/2" F/F	1,00			--
0032		RCVR00113		NIPPLE M-M 1/2"-D.13	1,00			--
0033		TBFX00319		TUBE	1,00			--
0034		FSVR00096		CLAMP 10-16 INOX	4,00			--
0035		VTVT48694		SCREW TCB TC 5 X12 UNI 9707 TZ	2,00			--
0036		MLML00002		SPRING PRESTOLA DOPPIA 8P	2,00			--
0037		MEEV00031		SOLENOID VALVE	1,00			--
0038		TBFX00321		TUBE	1,00			--
0039		RCVR00104		JOINT 1/2"	1,00			--
0040		RCVR00104		JOINT 1/2"	1,00			--



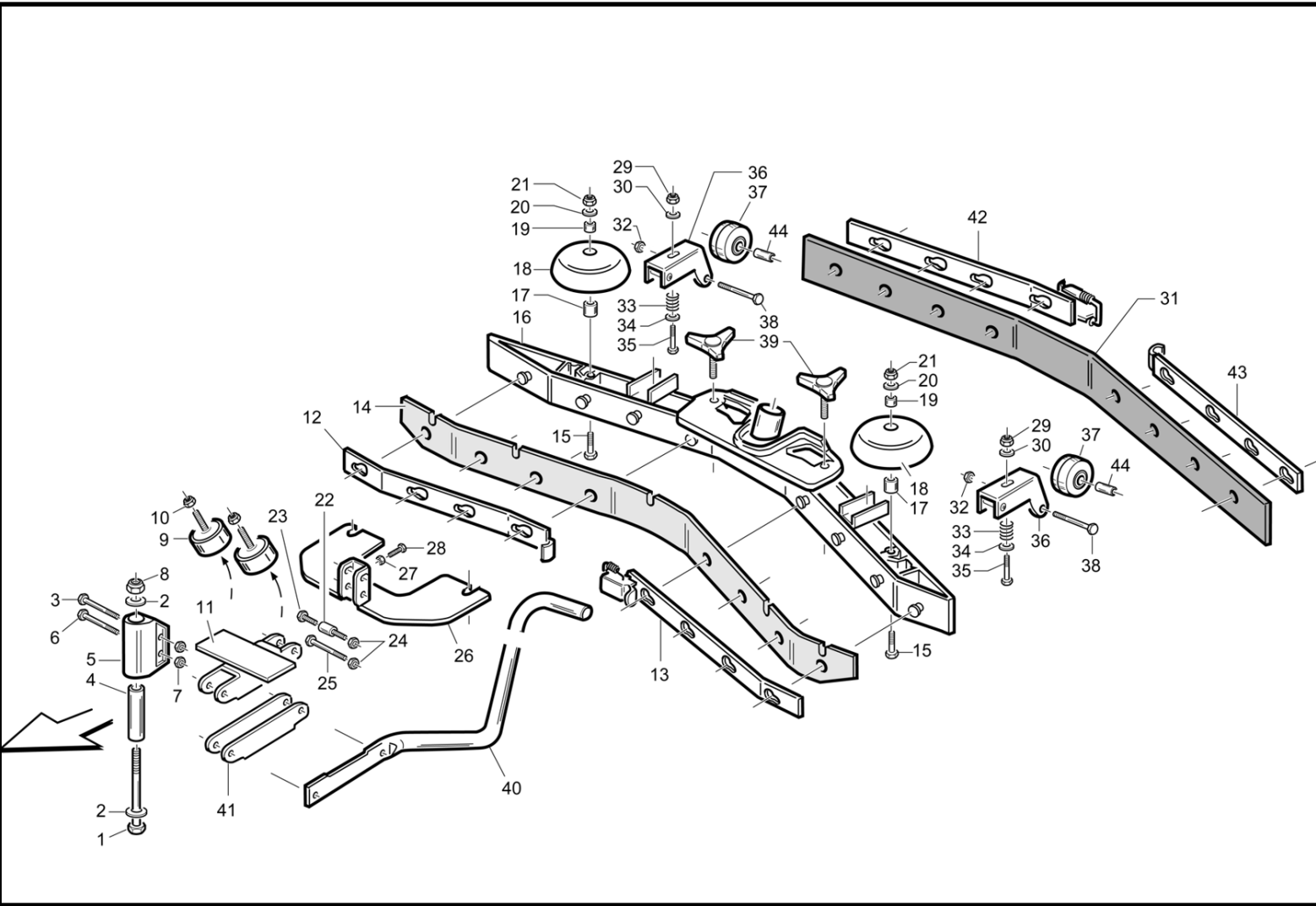
Ref. K	Part N.	Customer Part N.	Description	Qty	Validity:		Price
					From	To	
0041	RCVR00103		JOINT R 1/2"	1,00			--
0042	RCGR00078		TAP -	1,00			--
0043	GUGO00427		GASKET -	1,00			--
0044	RCVR00752		CONNECTOR G1/2"G	1,00			--
0045	TBFX00320		TUBE	1,00			--



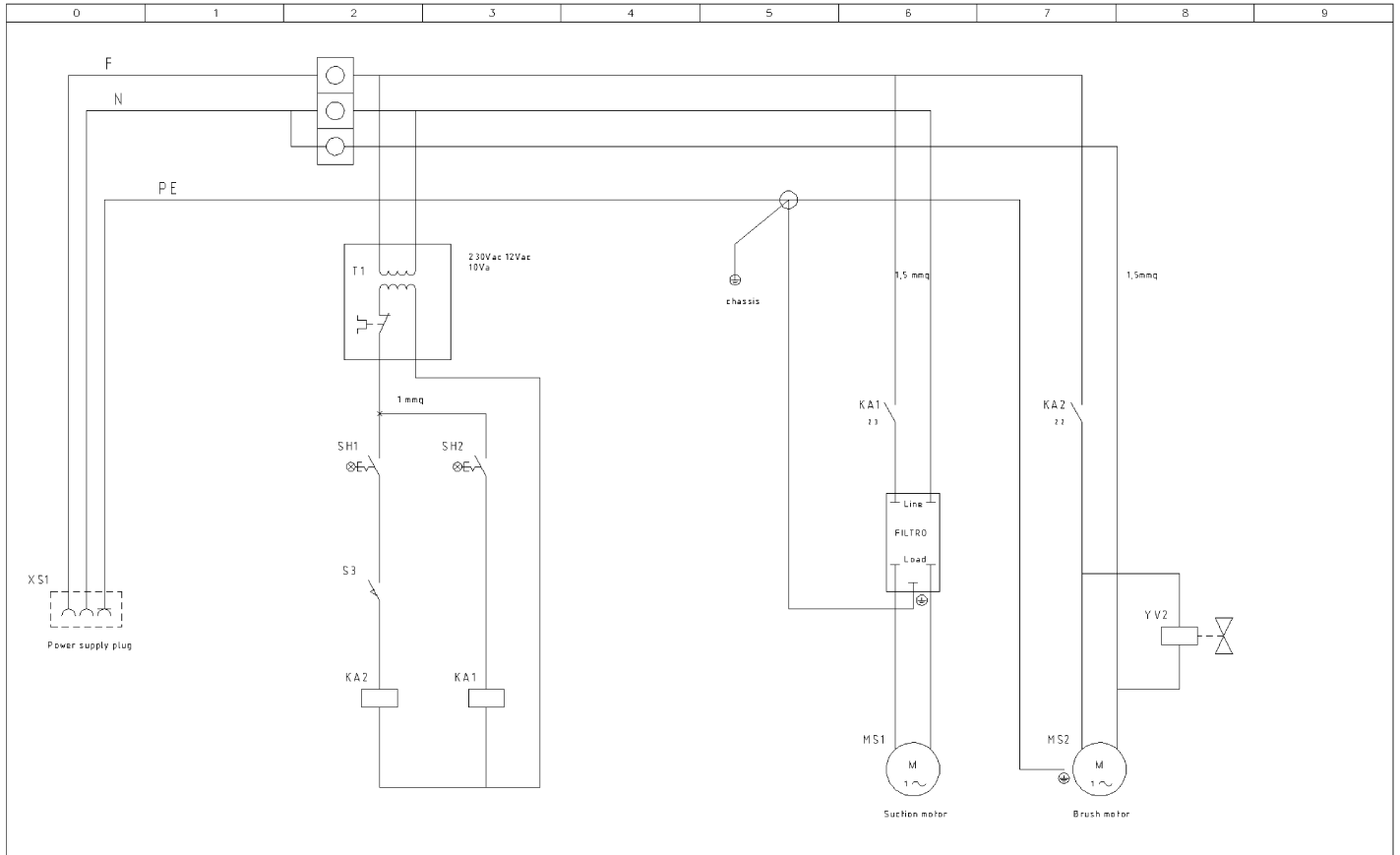
Ref.	K	Part N.	Customer Part N.	Description	Qty	Validity:		Price
						From	To	
0001		VTVT00474		SCREW TSCE uni 5933 4x12 ZB	4,00			--
0002		VTRS00119		WASHER UN.SCREWBLACK	4,00			--
0003		MECI00346		SWITCH TTR/L BIP. 24V	2,00			--
0004		MECB01067		WIRING LED CT25	1,00			--
0005		ETET01585		LABEL CT25	1,00			--
0006		VTVR00552		SPACER -	4,00			--
0007		MERL00010		SWITCH RELAY 12V	1,00			--
0008		MERL00011		SWITCH RELAY 12V	1,00			--
0009		MECI00542		TRANSFORMER 230/12V	1,00			--
0010		MECE31132		FILTER LC LAVAM. FL.	1,00			--
0011		MEVR01111		BOARD HOLDER	1,00			--
0012		LAFN06870		PLATE CT25	1,00			--
0013		VTVR01679		SPACER H60	2,00			--
0014		MPVR05350		CONTAINER CT25	1,00			--
0015		VTDD00481		NUT M4 INOX	2,00			--
0016		MECB01063		CABLE 25MT	1,00			--
0017		VTVT15143		SCREW TE 6X16 UNI5739	3,00			--
0018		VTRS15144		WASHER D. 6 INX GRW UNI 1751	3,00			--
0019		VTVR00550		SPACER -	3,00			--
0020		MPVR35582		RUBBER LAV.	3,00			--
0021		VTRS13945		WASHER D. 6X18 INX UNI 6593	6,00			--
0022		VTVT15143		SCREW TE 6X16 UNI5739	3,00			--
0023		MFVR00134		DRIVE DISK SPAZZOLE	1,00			--
0025		VTVT15143		SCREW TE 6X16 UNI5739	3,00			--
0026		MOMO00234		MOTOR 230V	1,00			--
0027		MOMO00233		MOTOR 230V	1,00			--
0028		KTRI01795		TUBE CT25	1,00			--
0029		VTRS15144		WASHER D. 6 INX GRW UNI 1751	3,00			--
0030		RCVR00543		CONNECTOR A GOMITO	1,00			--
0031		VTVT13939		SCREW TE 6X20 UNI5739 INX	1,00			--
0032		VTRS00515		WASHER D. 4 INX	4,00			--
0033		GUGO00285		GASKET TK1320048	0,13			--
0034		MEVR00370		CLAMP 44mm - 47,5mm	1,00	07/2008		--



Ref. K	Part N.	Customer Part N.	Description	Qty	Validity:		Price
					From	To	
0001	VTVT01680		SCREW TE M 10X110	1,00			--
0002	VTRS15523		WASHER D.10 X21 INOX UNI 6592	2,00			--
0003	VTVT15142		SCREW TE M 6x45 INOX	1,00			--
0004	LAFN06767		BUSHING CT25	1,00			--
0005	MPVR04734		BLOCK TERGI	1,00			--
0006	VTVT15145		SCREW TE 6X40 UNI5739 INX	1,00			--
0007	VTDD01694		NUT M 6 INX	2,00			--
0008	VTDD10310		NUT AUTOBL.M10 INOX DIN 985	1,00			--
0009	MEVR01961		CLAMP SM08.3015	2,00			--
0010	VTDD01693		NUT M 5 INX	2,00			--
0011	LAFN06707		PLATE CT25	1,00			--
0012	LAFN51043		LAMINATION BLOCCA LAMA ANTER.DX XS	1,00			--
0013	LAFN51042		LAMINATION BLOCCA LAMA ANTER.SX XS	1,00			--
0014	MPVR51017		BLADE ANTER.TERGI XS	1,00			--
0015	VTVT17342		SCREW TE M 6X 60 UNI 5739 INX	2,00			--
0016	MFVR00143		BODY SQUEEGEE PRESSOFUSO	1,00			--
0017	LAFN04100		SPACER PER RUOTINO PARACOLPI	2,00			--
0018	RTRT43370		CASTER D.100 2V.	2,00			--
0019	MPVR49229		BUSHING SHK	2,00			--
0020	VTRS00245		WASHER D.6 UNI 6592 INOX	2,00			--
0021	VTDD01694		NUT M 6 INX	2,00			--
0022	LAFN03742		SPACER SILENZIATORE	1,00			--
0023	VTVT15142		SCREW TE M 6x45 INOX	1,00			--
0024	VTDD01694		NUT M 6 INX	2,00			--
0025	VTVT15145		SCREW TE 6X40 UNI5739 INX	1,00			--
0026	LAFN06706		PLATE CT25	1,00			--
0027	VTDD15521		NUT M 8 INX A2 UNI 5588	1,00			--
0028	VTVT15907		SCREW TE 8X25 UNI5739 INX	1,00			--
0029	VTDD01695		NUT M 8 INX	2,00			--
0030	VTRS13947		WASHER D. 8 INX UNI 6592	2,00			--
0031	MPVR51016		BLADE POST.TERGI XS	1,00			--
0032	VTDD01694		NUT M 6 INX	2,00			--
0033	MLML49422		SPRING D.15X 45 X1	2,00			--
0034	VTRS13947		WASHER D. 8 INX UNI 6592	2,00			--
0035	VTVT01304		SCREW M 8X 40 TTQST UNI 5731	2,00			--
0036	LAFN05559		SUPPORT RUOTINO	2,00			--
0037	RTRT49413		WHEEL D. 60-D.15 X36 NYL.	2,00			--
0038	VTVT15515		SCREW TE M 6X 50 INOX A2	2,00			--
0039	MPVR05265		KNOB 8X25	2,00			--

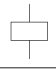
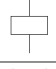

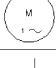





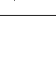


Ref. K	Part N.	Customer Part N.	Description	Qty	Validity:		Price
					From	To	
0040	LAFN06701		TUBE -	1,00			--
0041	LAFN05853		LEVER ARM SOLLEVAMENTO TERGI	1,00			--
0042	LAFN51041		LAMINATION BLOCCA LAMA POST.DX XS	1,00			--
0043	LAFN51040		LAMINATION BLOCCA LAMA POST.SX XS	1,00			--
0044	LAFN04041		SPACER D6/15	2,00			--



			Dis. N.	Impianto	Wiring diagram cable CT25	Ordine		FOGLIO
			C.A.B.	SPAC		Commissa		2
Sorgente			Nome File	Denominazione	PLDC01594	Esecutore		SEQUE
26-02-08			Data					

Ref.	K	Part N.	Customer Part N.	Description	Qty	Validity:	From	To	Price
KA1		MERL00010		SWITCH RELAY 12V	1,00				--
KA2		MERL00011		SWITCH RELAY 12V	1,00				--
MS1		MOMO00233		MOTOR 230V	1,00				--
MS2		MOMO00234		MOTOR 230V	1,00				--
S3		MEVR01732		HANDLE CT25	1,00				--
SH1		MECI00346		SWITCH TTR/L BIP. 24V	1,00				--
SH2		MECI00346		SWITCH TTR/L BIP. 24V	1,00				--
T1		MECI00542		TRANSFORMER 230/12V	1,00				--
YV2		MEEV00029		SOLENOID VALVE	1,00				--

0			1			2			3			4			5			6			7			8			9		
Sim.\Sym.	Sigla\Item	Funzione\Use Type	Sim.\Sym.	Sigla\Item	Funzione\Use Type	Sim.\Sym.	Sigla\Item	Funzione\Use Type	Sim.\Sym.	Sigla\Item	Funzione\Use Type	Sim.\Sym.	Sigla\Item	Funzione\Use Type	Sim.\Sym.	Sigla\Item	Funzione\Use Type	Sim.\Sym.	Sigla\Item	Funzione\Use Type	Sim.\Sym.	Sigla\Item	Funzione\Use Type	Sim.\Sym.	Sigla\Item	Funzione\Use Type			
	KA1 =06 2	Suction relè																											
	KA2 =06 2	Brush relè																											
	MS1 =06 2	Suction motor																											
	MS2 =06 2	Brush motor																											
	S3 =06 2	Start brush command																											
	SH1 =06 2	Brush button																											
	SH2 =06 2	Suction button																											
	T1 =06 2	Tension regulator																											
	XS1 =06 2	Power supply plug																											
	YV2 =06 2	Electrovalve																											

Dis. N.	Impianto	Ordine	FOGLIO
C AD	SPAC	Commissio	3
Nome File	Denominazione	Esecutore	SEQUE
Data			

Ref. K	Part N.	Customer Part N.	Description	Qty	Validity: From To	Price
KA1	MERL00010		SWITCH RELAY 12V	1,00		--
KA2	MERL00011		SWITCH RELAY 12V	1,00		--
MS1	MOMO00233		MOTOR 230V	1,00		--
MS2	MOMO00234		MOTOR 230V	1,00		--
S3	MEVR01732		HANDLE CT25	1,00		--
SH1	MECI00346		SWITCH TTR/L BIP. 24V	1,00		--
SH2	MECI00346		SWITCH TTR/L BIP. 24V	1,00		--
T1	MECI00542		TRANSFORMER 230/12V	1,00		--
YV2	MEEV00029		SOLENOID VALVE	1,00		--