



IPC Integrated Professional Cleaning

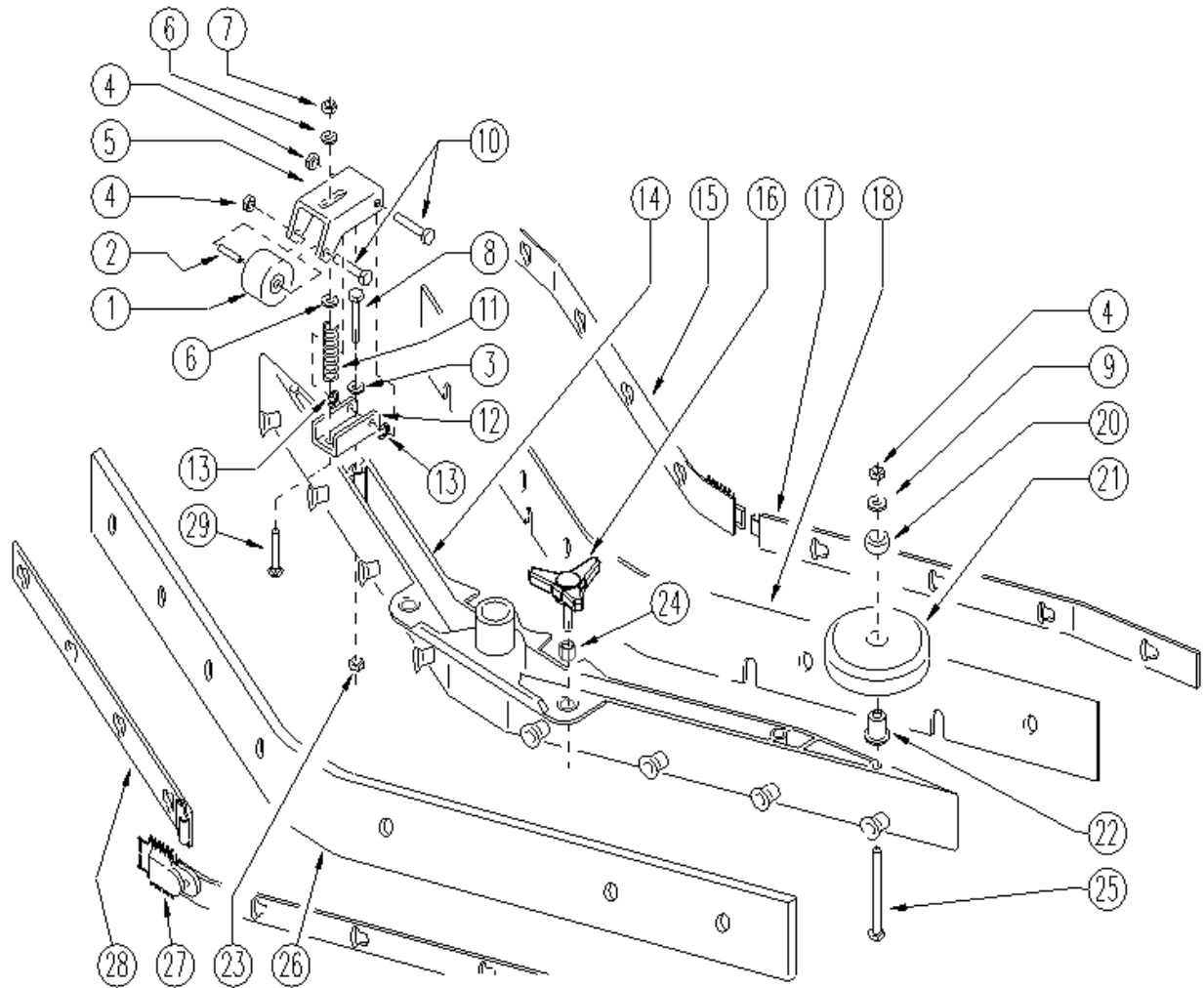
IPCGansow

Spare Parts List

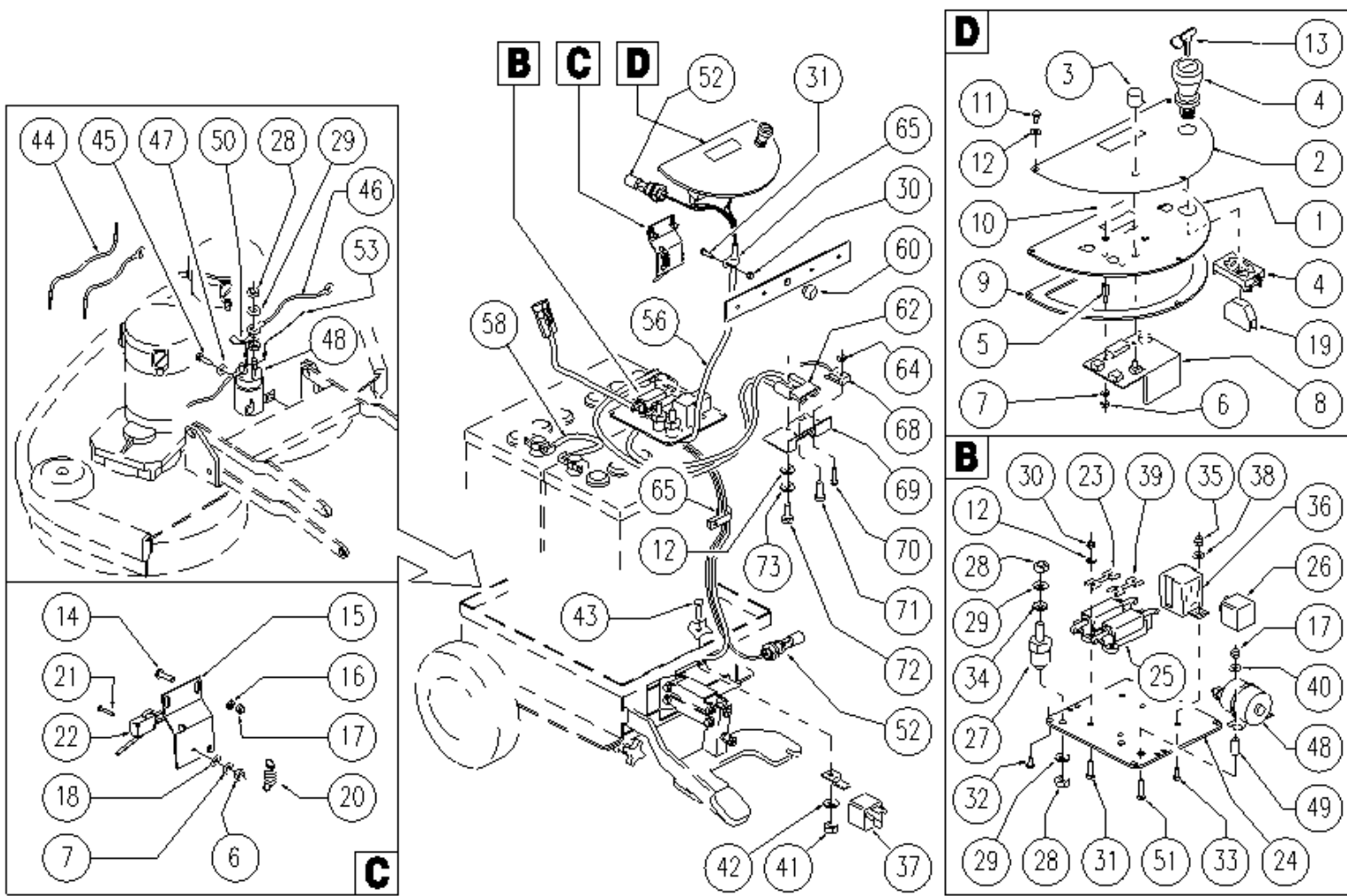
TAVERNARO AG

Ref: LPTB02174

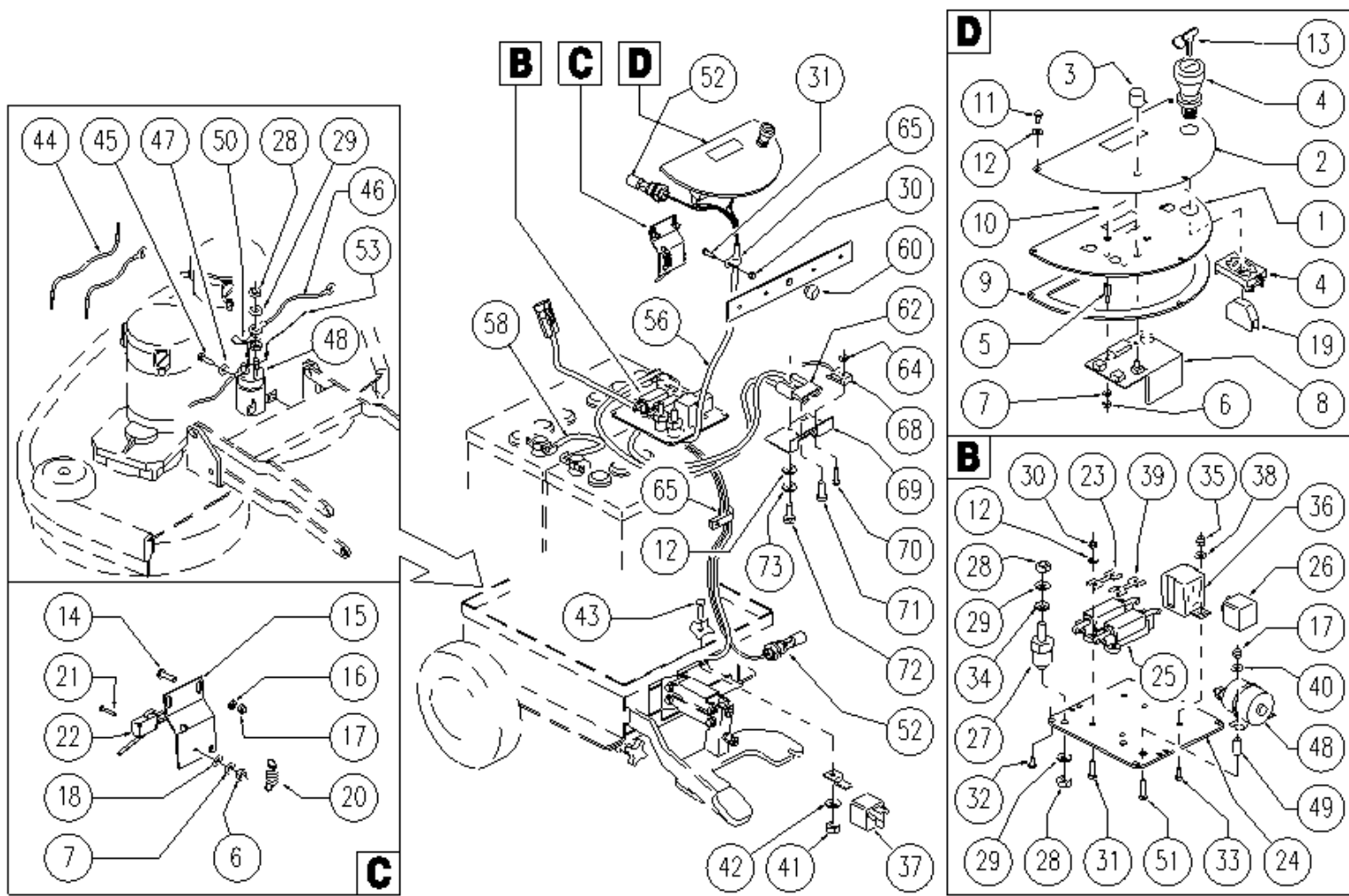
Model: CLEANTIME 70 BT70



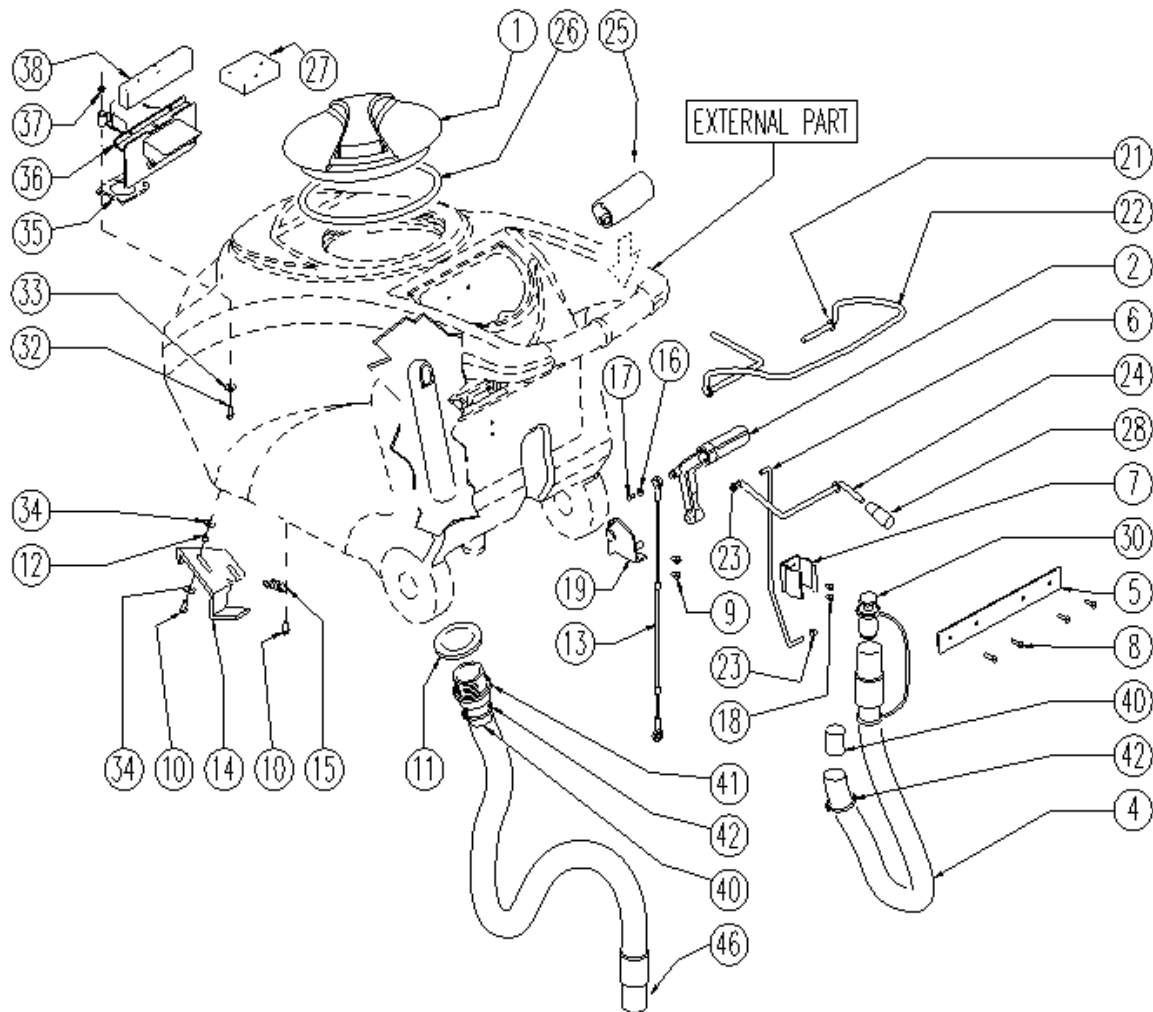
Ref. K	Part N.	Customer Part N.	Description	Qty	Validity:		Price
					From	To	
0001	RTRT49413		WHEEL D. 60-D.15 X36 NYL.	2,00	03/2004		--
0002	LAFN04041		SPACER D6/15	2,00	03/2004		--
0003	VTRS15144		WASHER D. 6 INX GRW UNI 1751	2,00			--
0004	VTDD01694		NUT M 6 INX	6,00	03/2004		--
0005	LAFN05559		SUPPORT RUOTINO	2,00	03/2004		--
0006	VTRS13947		WASHER D. 8 INX UNI 6592	4,00	03/2004		--
0007	VTDD01695		NUT M 8 INX	2,00	03/2004		--
0008	VTVT15142		SCREW TE M 6x45 INOX	2,00	03/2004		--
0009	VTRS00245		WASHER D.6 UNI 6592 INOX	2,00			--
0010	VTVT15515		SCREW TE M 6X 50 INOX A2	4,00			--
0011	MLML49422		SPRING D.15X 45 X1	2,00			--
0012	LAFN51069		BRACKET SUPP.RUOTINO SQUEEGEE	2,00			--
0013	VTAE45707		CIRCLIP D. 6 UNI 7434 INOX	4,00			--
0014	MFVR00140		BODY SQUEEGEE PRESSOFUSO	1,00			--
0015	LAFN51047		LAMINATION BLOCCA LAMA ANTER.SX "L"	1,00			--
0016	MPVR05265		KNOB 8X25	2,00			--
0017	LAFN51046		LAMINATION BLOCCA LAMA ANTER.DX "L"	1,00			--
0018	MPVR48380		RUBBER BLADE LAV. 890	1,00			--
0019	VTVT00655		SCREW TE M. 6-55	2,00			--
0020	MPVR49229		BUSHING SHK	2,00			--
0021	MPVR05290		ROLLER PARACOLPI	2,00	04/2008		--
0021	RTRT43370		CASTER D.100 2V.	2,00		04/2008	--
0022	LAFN04100		SPACER PER RUOTINO PARACOLPI	2,00			--
0023	VTDD15520		NUT M 6 A2 UNI 5588 INX	2,00			--
0024	VTVR00022		INSERT FILETTATO ESAGONALE M8	2,00			--
0025	VTVT17342		SCREW TE M 6X 60 UNI 5739 INX	2,00			--
0026	MPVR48379		RUBBER BLADE LAV. 890 PARA	1,00			--
0027	LAFN05675		BLADE HOLDER POSTERIORE DX (L)	1,00			--
0028	LAFN05674		BLADE HOLDER POSTERIORE SX (L)	1,00			--
0029	VTVT01304		SCREW M 8X 40 TTQST UNI 5731	2,00			--



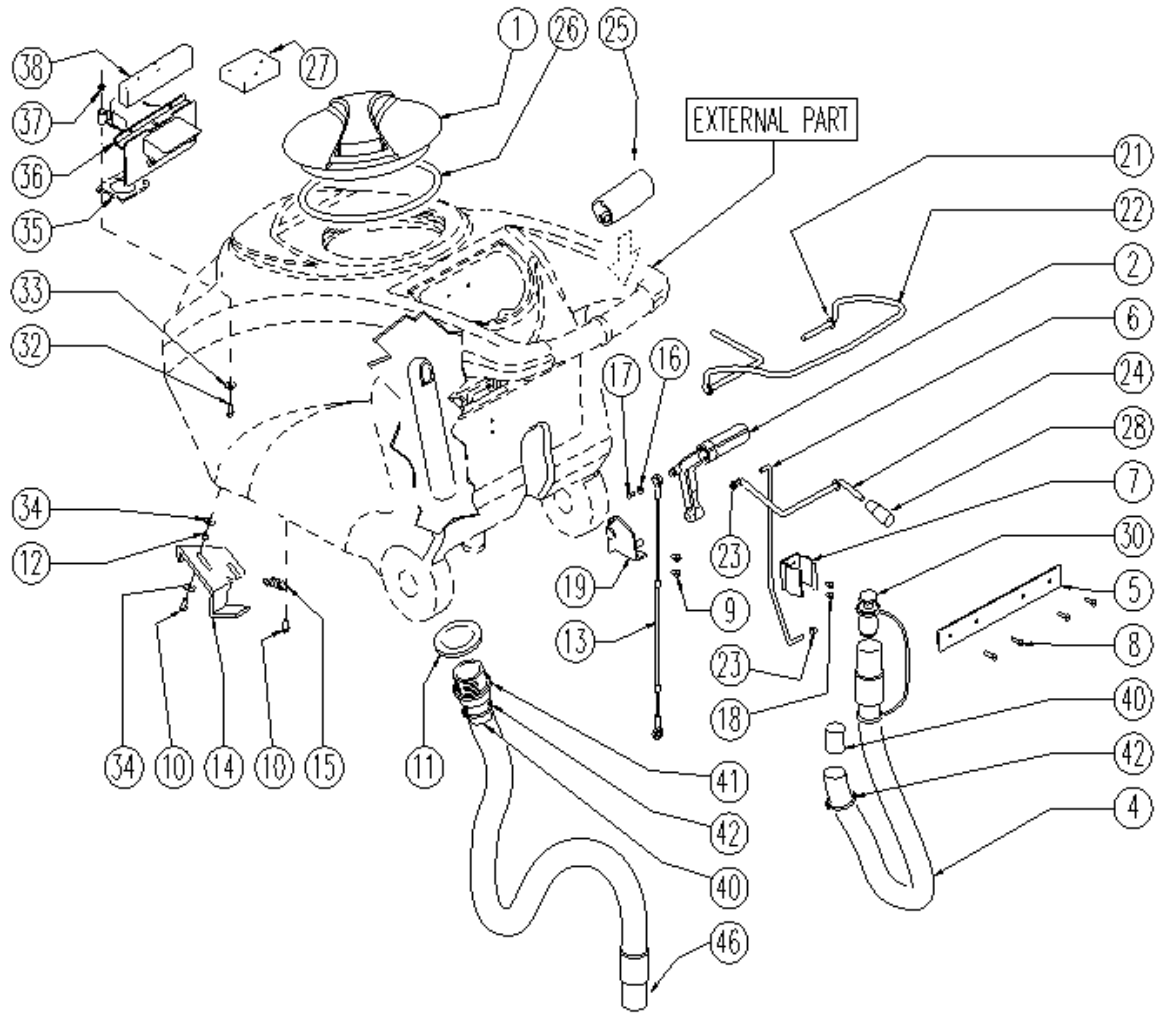
Ref. K	Part N.	Customer Part N.	Description	Qty	Validity:		Price
					From	To	
0001	LAFN06288		SUPPORT PLANCIA COMANDI	1,00			--
0002	ETET01415		LABEL PLANCIA COMANDI	1,00			--
0003	MEVR01666		PLUG FT 80	1,00			--
0004	MECI00323		BUTTON FUNGO	1,00			--
0005	VTVR00481		INSERT FILETTATO M6	3,00			--
0006	VTDD21115		NUT M 3 INOX	5,00			--
0007	VTRS00268		WASHER D.3	5,00			--
0008	MECE00465		BOARD CT70-90	1,00			--
0009	GUGO38417		GASKET PANN.COM.EXTREME	1,00			--
0010	VTVT00865		SCREW TSP-TC M 3X 6 UNI7688 INX	3,00			--
0011	VTVT37012		SCREW M 4X 10 TCB-TC INX	3,00			--
0012	VTRS00515		WASHER D. 4 INX	9,00			--
0013	CHVR00051		DIASASS.SPANNERPULSANTE FUNGO	1,00			--
0014	VTVT07725		SCREW TE 5X16 UNI5739 INX	2,00			--
0015	LAFN05904		PLATE MICRO LEVA	1,00			--
0016	VTRS00516		WASHER D. 5 INX	2,00			--
0017	VTDD01693		NUT M 5 INX	4,00			--
0018	VTRS21116		WASHER D. 3 INX	2,00			--
0019	MECI00403		CONTACT -	1,00			--
0020	MLML34726		SPRING TR E350 N	1,00			--
0021	VTVT01316		SCREW TC+ M3-16	2,00			--
0022	MECI36393		MICROSWITCH TRZ. DRW	1,00			--
0023	MEVR02887		FUSE 40A NST.	1,00			--
0024	LAFN06822		PLATE ELETTRONICA	1,00			--
0025	MEVR01332		FUSE-HOLDER	2,00			--
0026	MECE00139		RELAY POTENZA 24V	1,00			--
0027	MEVR01116		SUPPORT FUSIBILE 120 A	1,00			--
0028	VTDD15521		NUT M 8 INX A2 UNI 5588	6,00			--
0029	VTRS01080		WASHER D. 8 GRW	6,00			--
0030	VTDD15925		NUT M 4 INX	4,00			--
0031	VTVT00704		SCREW TE M 4X 16 UNI5739 INOX	6,00			--
0032	VTVT01580		SCREW TC M5X10 UNI7687 INOX	4,00			--
0033	VTVT21096		SCREW TE M 4X 10 INX	1,00			--
0034	VTRS13947		WASHER D. 8 INX UNI 6592	3,00			--
0035	VTDD00147		NUT M 4 INX U.5588	1,00			--
0036	METT00053		BLOCK PORTA RELE'	1,00			--
0037	MECI00005		RELAY 24V 10/20A	1,00			--
0038	VTRS13750		WASHER D. 5X14 INX	1,00			--
0039	MEVR00604		FUSE	1,00	07/2007		--



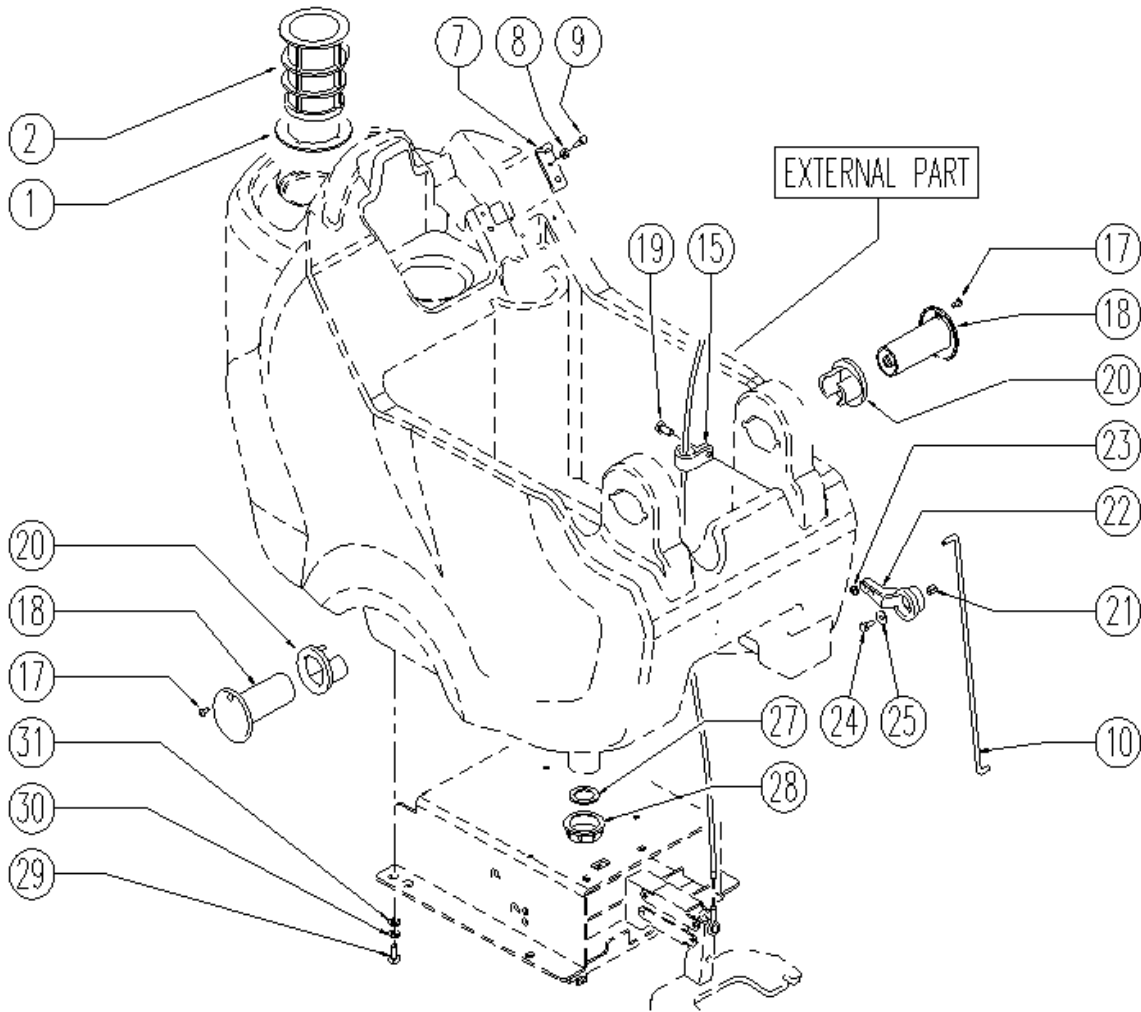
Ref.	K	Part N.	Customer Part N.	Description	Qty	Validity:		Price
						From	To	
0039		MEVR42990		FUSE 60A NST.	1,00		07/2007	--
0040		VTRS15958		WASHER D. 5 X15 UNI 6593	2,00			--
0041		VTDD01694		NUT M 6 INX	1,00			--
0042		VTRS00245		WASHER D.6 UNI 6592 INOX	1,00			--
0043		VTVT01676		SCREW TSTC UNI 7688 M6X16	1,00			--
0044		MECB01014		CABLE 6,5mmq	2,00			--
0045		VTVT00796		SCREW TC 6X12	2,00			--
0046		MECB00987		WIRING -	1,00			--
0047		VTRS15144		WASHER D. 6 INX GRW UNI 1751	2,00			--
0048		METT45116		CONTACTOR 24V T106 P	2,00			--
0049		LAFN31098		SPACER S. BLOCK B 450	2,00			--
0050		MECB01019		WIRING	1,00			--
0051		VTVT00399		SCREW TE M5x30 UNI 5739	2,00			--
0052		MECI00516		SENSOR DI LIVELLO ORIZZONTALE	2,00			--
0053		MECB01020		WIRING	1,00			--
0056		MECB01008		ELECTRI.INSTAL.CT 40 BT 24V	1,00			--
0058		MEVR34820		WIRING B 450 BT	1,00			--
0060		MPVR00043		CAP CHIUS.FORO PORTAFUS.L 15	1,00			--
0062		MEVR01707		CONNECTOR -	1,00			--
0064		VTDD08634		NUT M2	2,00			--
0065		FSVR00099		CLAMP FERMATUBO	2,00			--
0068		MECI00334		MICROSWITCH V4	1,00			--
0069		LAFN06409		SUPPORT -	1,00			--
0070		VTVT00671		SCREW TC- M.2-16 OTTONE	2,00			--
0071		VTVT00872		SCREW TSP+ 2.9X13 AUTOFIL. INOX	1,00			--
0072		VTVT00814		SCREW TE M.4-25	2,00			--
0073		VTRS15913		WASHER D. 4 GROVER A2 UNI1751	2,00			--



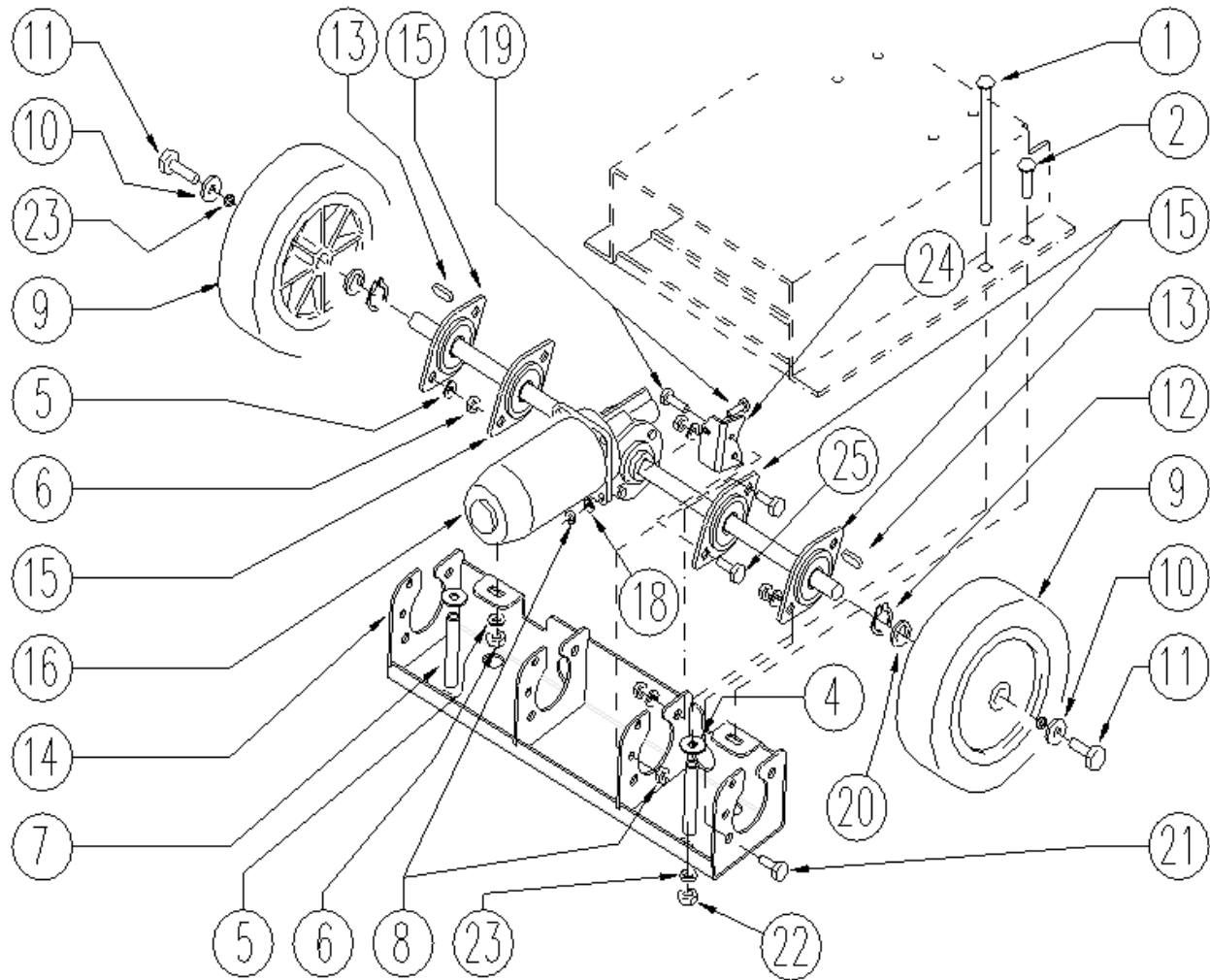
Ref. K	Part N.	Customer Part N.	Description	Qty	Validity:		Price
					From	To	
0001	MPVR04051		TANK CAP	1,00			--
0002	MPVR49942		LEVER SHK PP	1,00			--
0004	TBBP00428		TUBE SCARICO	1,00			--
0005	LAFN05865		PLATE COPRILEVA CONSENSO	1,00			--
0006	LAFN05863		ROD RUBINETTO	1,00			--
0007	MPVR46988		CLIP LAV. SHK	1,00			--
0008	VTVT07726		SCREW TE 5X20	4,00			--
0009	VTVT15906		SCREW TE 6X 12 A2 UNI 5739	2,00			--
0010	VTVT15143		SCREW TE 6X16 UNI5739	3,00			--
0011	GUGO00216		GASKET ACQUA SPORCA	1,00			--
0012	LAFN03626		SPACER	2,00			--
0013	CMCV00428		CABLE SQUEEGEE	1,00			--
0014	LAFN06849		HANDLE CT 70	1,00			--
0015	MLML00203		SPRING	1,00			--
0016	VTRS00251		WASHER 4-16 INOX A2	1,00			--
0017	VTVT00800		SCREW TC 4X12 ZN	1,00			--
0018	VTVT21096		SCREW TE M 4X 10 INX	2,00			--
0019	LAFN05870		BRACKET LEVA SOLLEVAM. SQUEEGEE	1,00			--
0020	PMVR02012		GROUP TUBO TUBO INT. P197	1,00			--
0021	VTRS13947		WASHER D. 8 INX UNI 6592	2,00			--
0022	LAFN05861		LEVER CONSENSO SPAZZOLE	1,00			--
0023	VTDD01694		NUT M 6 INX	2,00			--
0024	LAFN05908		ROD COMANDO RUBINETTO	1,00			--
0025	MPVR05215		KNOB -	2,00			--
0026	GUGO00263		GASKET CIRCOLARE TAPPO	1,00			--
0027	FTDP00133		FILTER ASPIRAZIONE ALLUNG.	1,00			--
0028	MPVR04146		KNOB IN PVC MOD. 1001 FORO D.6	1,00			--
0029	MPVR04716		RING NUT 1"1/2	1,00			--
0030	MPVR05064		CAP COMPLETO	1,00			--
0032	VTVT01139		SCREW TE M.4-25	2,00			--
0033	VTRS00515		WASHER D. 4 INX	2,00			--
0034	VTRS00274		WASHER NYLON 66 D.8,4-17-2 UNI	4,00			--
0035	GUGO00417		GASKET SCATOLA ASPIRAZIONE	1,00			--
0036	FTDP00185		BOX ASPIRAZIONE	1,00			--
0037	VTDD15925		NUT M 4 INX	2,00			--
0038	GUGO00418		GASKET CONDOTTO ASPIRAZIONE	1,00			--
0040	GUGO00245		GASKET	1,00			--
0041	RCVR00586		CONNECTOR 1/4	1,00			--
0042	FSVR43136		CLAMP D. 35-40 DF.	2,00			--



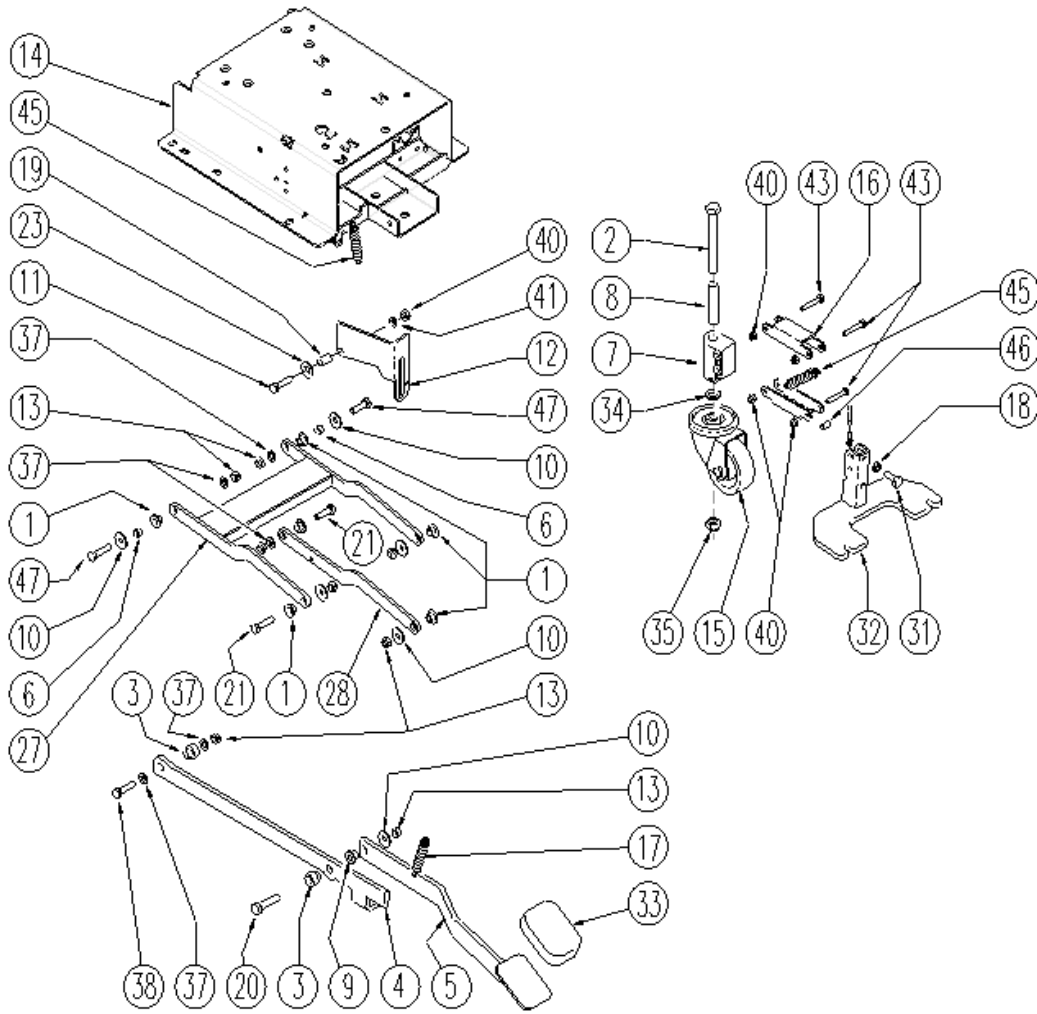
Ref. K	Part N.	Customer Part N.	Description	Qty	Validity:		Price
					From	To	
0045	MPVR02730		PLATE SIFONE	1,00			--
0046	TBBP00407		TUBE L=990 d.i.350	1,00			--



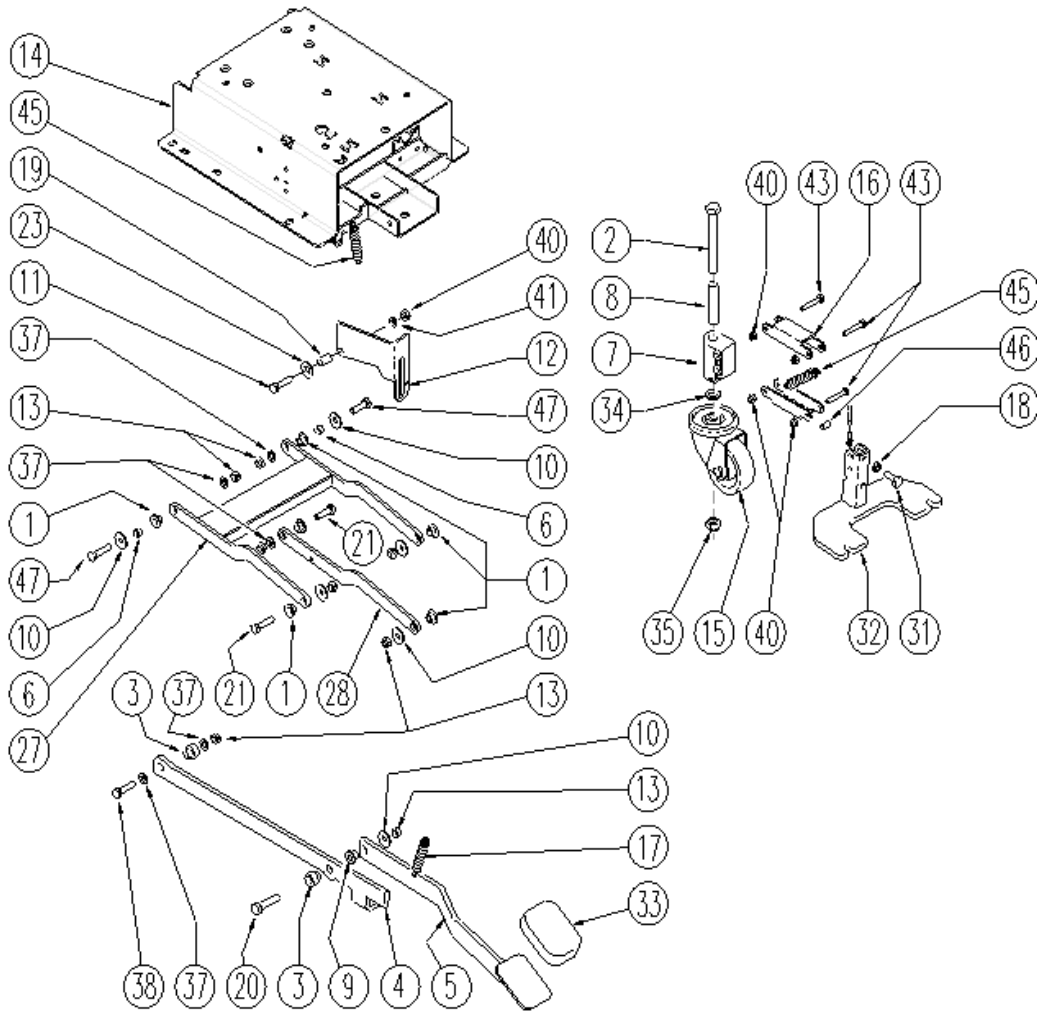
Ref. K	Part N.	Customer Part N.	Description	Qty	Validity:		Price
					From	To	
0001	GUGO00267		GASKET FILTRO	1,00			--
0002	FTAC00040		FILTER -	1,00			--
0007	LAFN06489		PLATE	1,00			--
0008	VTRS15144		WASHER D. 6 INX GRW UNI 1751	1,00			--
0009	VTVT01303		SCREW TE M6-10 INOX	1,00			--
0010	LAFN05862		ROD RUBINETTO	1,00			--
0015	MPVR02933		DUCT LOCK D.9,5	2,00			--
0017	VTVT48694		SCREW TCB TC 5 X12 UNI 9707 TZ	2,00			--
0018	MPVR48695		PIN SHK.BK	2,00			--
0019	VTVT15961		SCREW M 5X 16 TCB TC UNI 7687	1,00			--
0020	PMVR02028		RUBBER GRUPPO MONTAGGIO	2,00			--
0021	VTVR48693		INSERT M6 D.9	1,00			--
0022	MPVR49471		LEVER SHK	1,00			--
0024	VTVT15143		SCREW TE 6X16 UNI5739	1,00			--
0025	VTRS13945		WASHER D. 6X18 INX UNI 6593	1,00			--
0027	GUGO00416		GASKET TAPPO SCARICO SERB.	1,00			--
0028	MPVR04931		CAP SCARICO	1,00			--
0029	VTVT15916		SCREW TE M 8X 16 UNI 5739 A2	4,00			--
0030	VTRS00269		WASHER D. 8 DIN 6798-A INX A2	4,00			--
0031	VTRS13947		WASHER D. 8 INX UNI 6592	4,00			--



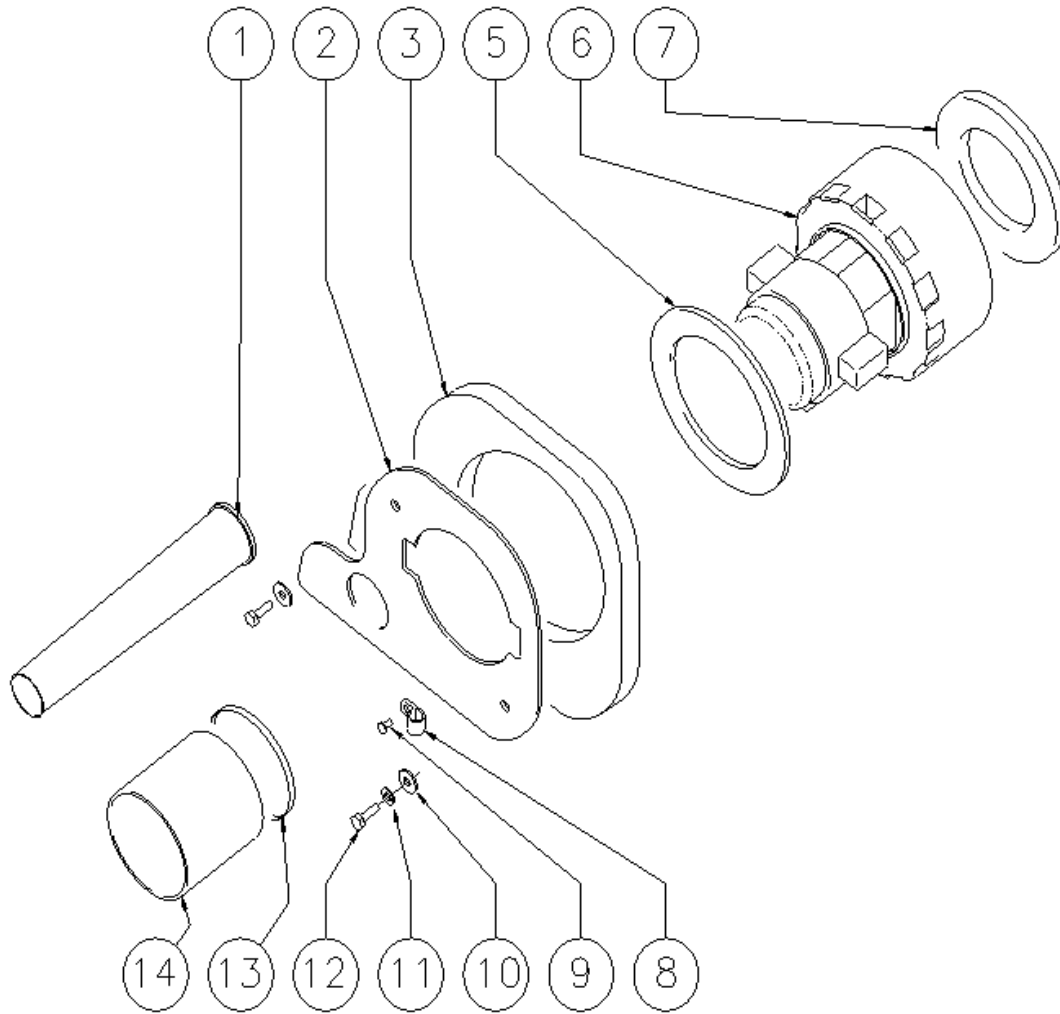
Ref.	K	Part N.	Customer Part N.	Description	Qty	Validity:		Price
						From	To	
0001		VTVT01140		SCREW TTTQS M8-100	2,00			--
0002		VTVT00842		SCREW	2,00			--
0004		VTRS13946		WASHER D. 8 X24 INX UNI 6593	2,00			--
0005		VTRS13947		WASHER D. 8 INX UNI 6592	10,00			--
0006		VTDD01695		NUT M 8 INX	10,00			--
0007		LAFN04155		SPACER ASSE LEVA MOLLA PRESS.	2,00			--
0008		VTDD01694		NUT M 6 INX	2,00			--
0009		RTRT36352		WHEEL D.200 DRW	2,00			--
0010		VTRS13946		WASHER D. 8 X24 INX UNI 6593	2,00			--
0011		VTVT15916		SCREW TE M 8X 16 UNI 5739 A2	2,00			--
0012		VTAE06193		CIRCLIP D. 20 UNI 7435	2,00			--
0013		VTVR33668		KEY 6x 6x40 UNI 6604A	2,00			--
0014		LAFN07418		SUPPORT MOTORE	1,00			--
0015		CUVR00105		SUPPORT	4,00			--
0016		MOCC00301		MOTOR AOMPDI 24V 165W 130G	1,00		09/2007	--
0016		MOCC00335		MOTOR 180W	1,00	09/2007	07/2008	--
0016		MOCC00347		MOTOR 180W	1,00	07/2008		--
0017		LAFN09093		SMALL SQUARE -	1,00			--
0018		VTRS00245		WASHER D.6 UNI 6592 INOX	2,00			--
0019		VTVT13939		SCREW TE 6X20 UNI5739 INX	2,00			--
0020		VTRS00032		THICKNESS 20,2X28X1 DIN 988	2,00			--
0021		VTVT13938		SCREW TE 8X20 UNI5739 INX	7,00			--
0022		VTDD15521		NUT M 8 INX A2 UNI 5588	2,00			--
0023		VTRS15146		WASHER D. 8 INX GRW UNI 1751	4,00			--
0024		LAFN06873		BRACKET -	1,00			--
0025		VTVT15907		SCREW TE 8X25 UNI5739 INX	1,00			--



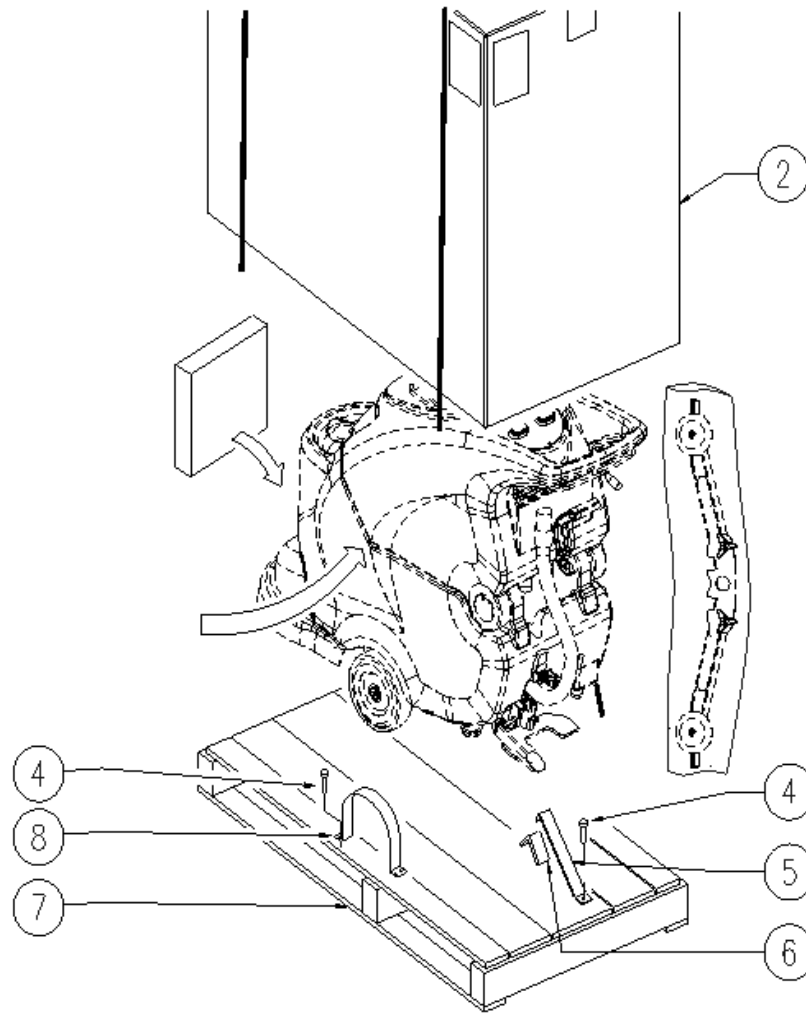
Ref. K	Part N.	Customer Part N.	Description	Qty	Validity:		Price
					From	To	
0001	LAFN06391		BUSHING PARALLELOGRAMMA	6,00			--
0002	VTVT24212		SCREW TE M 12X100 UNI 5737 INOX	1,00			--
0003	LAFN04190		BUSHING PARALLELOGR.TEST.GR.	2,00			--
0004	LAFN09091		LEVER SOLLEVAMENTO	1,00			--
0005	LAFN06417		LEVER -	1,00			--
0006	RCDS34717		BUSHING D. 9X12X 8.3	2,00			--
0007	MPVR04734		BLOCK TERGI	1,00			--
0008	LAFN04188		PIN ROTAZIONE SQUEEGEE	1,00			--
0009	LAFN51068		BUSHING LEVA POSTER.	1,00			--
0010	VTRS13946		WASHER D. 8 X24 INX UNI 6593	6,00			--
0011	VTVT00161		SCREW TE M6X20	1,00			--
0012	LAFN10124		PLATE	1,00			--
0013	VTDD01695		NUT M 8 INX	8,00			--
0014	LAFN07293		BASE SERBATOIO	1,00			--
0015	RTRT00276		SMALL WHEEL GIREVOLE PER SPAZZANTE	1,00		05/2008	--
0015	RTRT00518		WHEEL D.80	1,00	05/2008		--
0016	LAFN05853		LEVER ARM SOLLEVAMENTO TERGI	2,00			--
0017	MLML34726		SPRING TR E350 N	1,00			--
0018	VTDD15521		NUT M 8 INX A2 UNI 5588	2,00			--
0019	LAFN03840		BUSHING	1,00			--
0020	VTVT15917		SCREW TE M 8X50 INOX A2 UNI	1,00			--
0021	VTVT15907		SCREW TE 8X25 UNI5739 INX	3,00			--
0023	VTRS00274		WASHER NYLON 66 D.8,4-17-2 UNI	1,00			--
0026	VTDD15925		NUT M 4 INX	1,00			--
0027	LAFN06421		ARM -	1,00			--
0028	LAFN06389		ARM PARALLELOGRAMMA	1,00			--
0031	VTVT00447		SCREW TE 8X25 UNI5739	1,00	04/2007		--
0031	VTVT00908		GRUB SCREW M.8-25 PIANO	1,00		04/2007	--
0032	LAFN06355		PLATE SQUEEGEE	1,00			--
0033	MPVR05186		COVER -	1,00			--
0034	VTRS00312		WASHER D.13 x24 INOX	1,00			--
0035	VTDD00176		NUT M.12 INOX A2 BASSO AUTOB.	1,00			--
0037	VTRS13947		WASHER D. 8 INX UNI 6592	4,00			--
0038	VTVT00429		SCREW TE M 8X 40 INX UNI 5737	1,00			--
0040	VTDD01694		NUT M 6 INX	5,00			--
0041	VTRS00245		WASHER D.6 UNI 6592 INOX	1,00			--
0043	VTVT15145		SCREW TE 6X40 UNI5739 INX	4,00			--
0045	MLML00303		SPRING REGISTRAZIONE FLAP	1,00			--
0046	LAFN03742		SPACER SILENZIATORE	2,00		06/2008	--



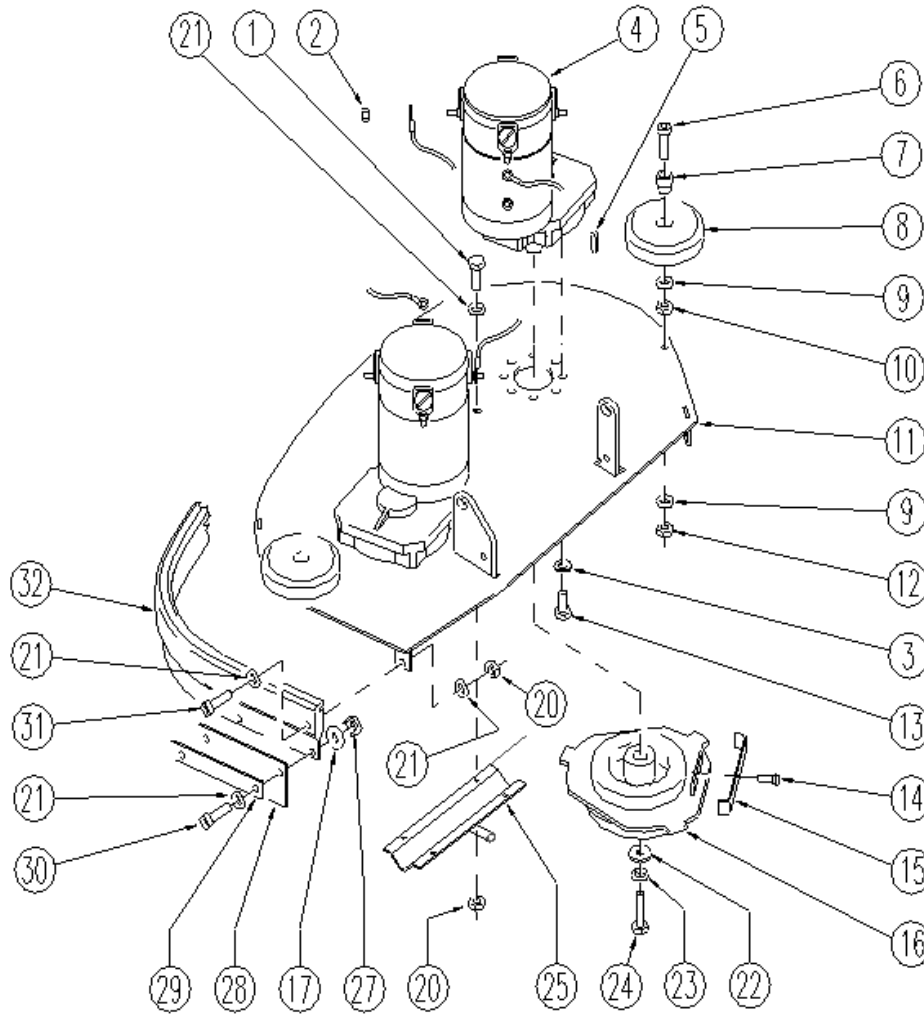
Ref. K	Part N.	Customer Part N.	Description	Qty	Validity:		Price
					From	To	
0046	LAFN06898		SPACER 6,1-9 h25	1,00	06/2008		--
0047	VTVT13937		SCREW TE M 8X 30 INX UNI 5739	2,00			--



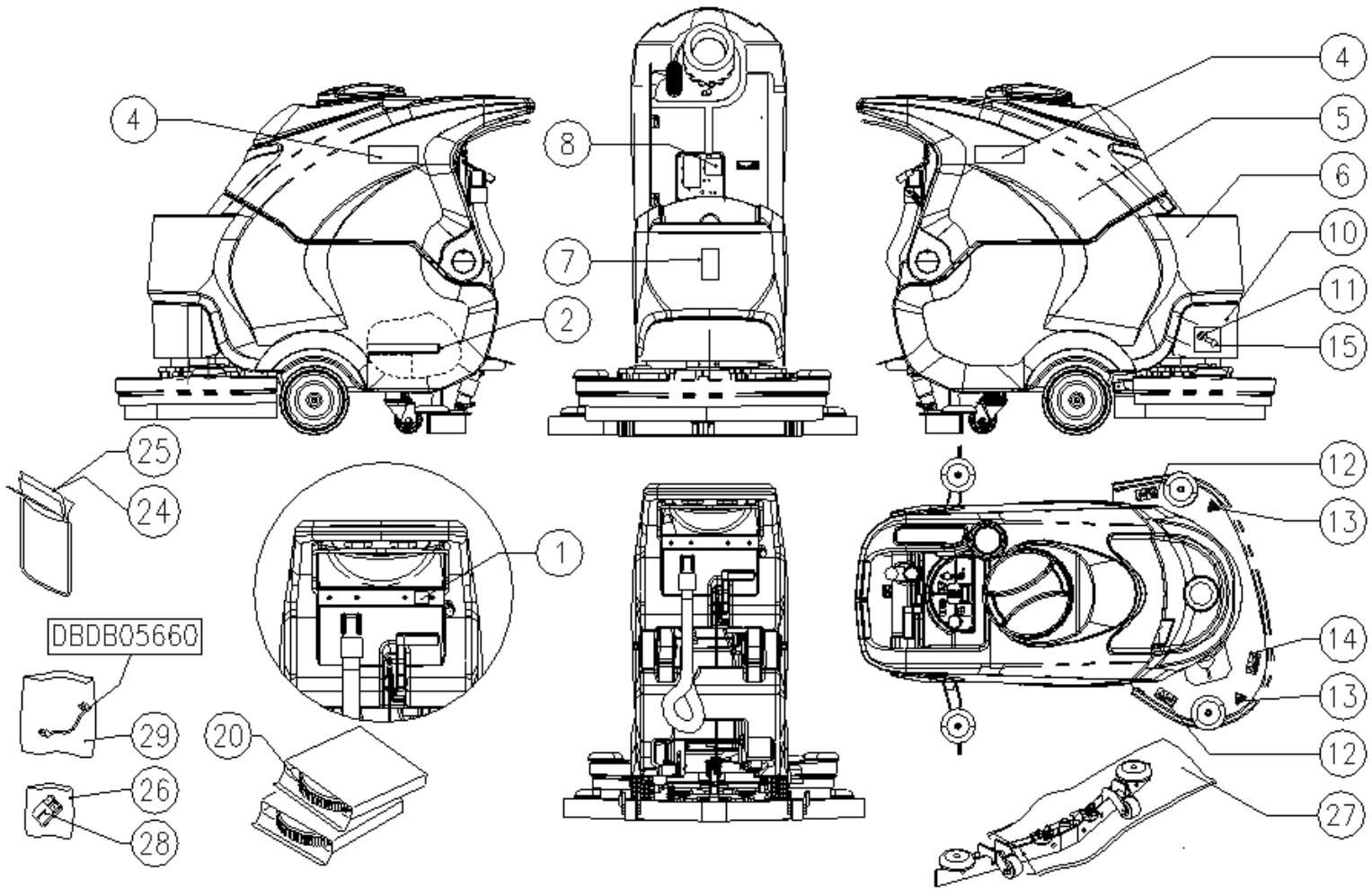
Ref.	K	Part N.	Customer Part N.	Description	Qty	Validity:		Price
						From	To	
0001		MPVR05259		TUBE SCARICO	1,00	06/2007		--
0001		TBFX00244		TUBE D 34 L200MM	1,00		06/2007	--
0002		LAFN06363		FLANGE ASPIRATORE	1,00			--
0003		MPVR05103		SOUND-PROOFING ASPIRATORE	1,00			--
0004		MPVR31077		BUSHING L.450	1,00		06/2007	--
0005		MPVR04724		FLANGE IN NYLON	1,00			--
0006		MOCC00253		MOTOR ASPIR.BIST.24V	1,00			--
0007		GUGO00272		GASKET	1,00			--
0008		FSVR00099		CLAMP FERMATUBO	1,00			--
0009		VTVT00813		SCREW M 4X 8 TCB-TC UNI 8112	1,00			--
0010		VTRS13945		WASHER D. 6X18 INX UNI 6593	2,00			--
0011		VTRS15144		WASHER D. 6 INX GRW UNI 1751	2,00			--
0012		VTVT15143		SCREW TE 6X16 UNI5739	2,00			--
0013		FSVR00118		CLAMP D.94	1,00	05/2007		--
0013		FSVR00500		CLAMP 80-100 INOX	1,00		04/2007	--
0014		TBFX00268		SUCTION HOSE D80 L=80MM	1,00		04/2007	--
0014		TBFX00312		TUBE ASPIRAZIONE	1,00	05/2007		--



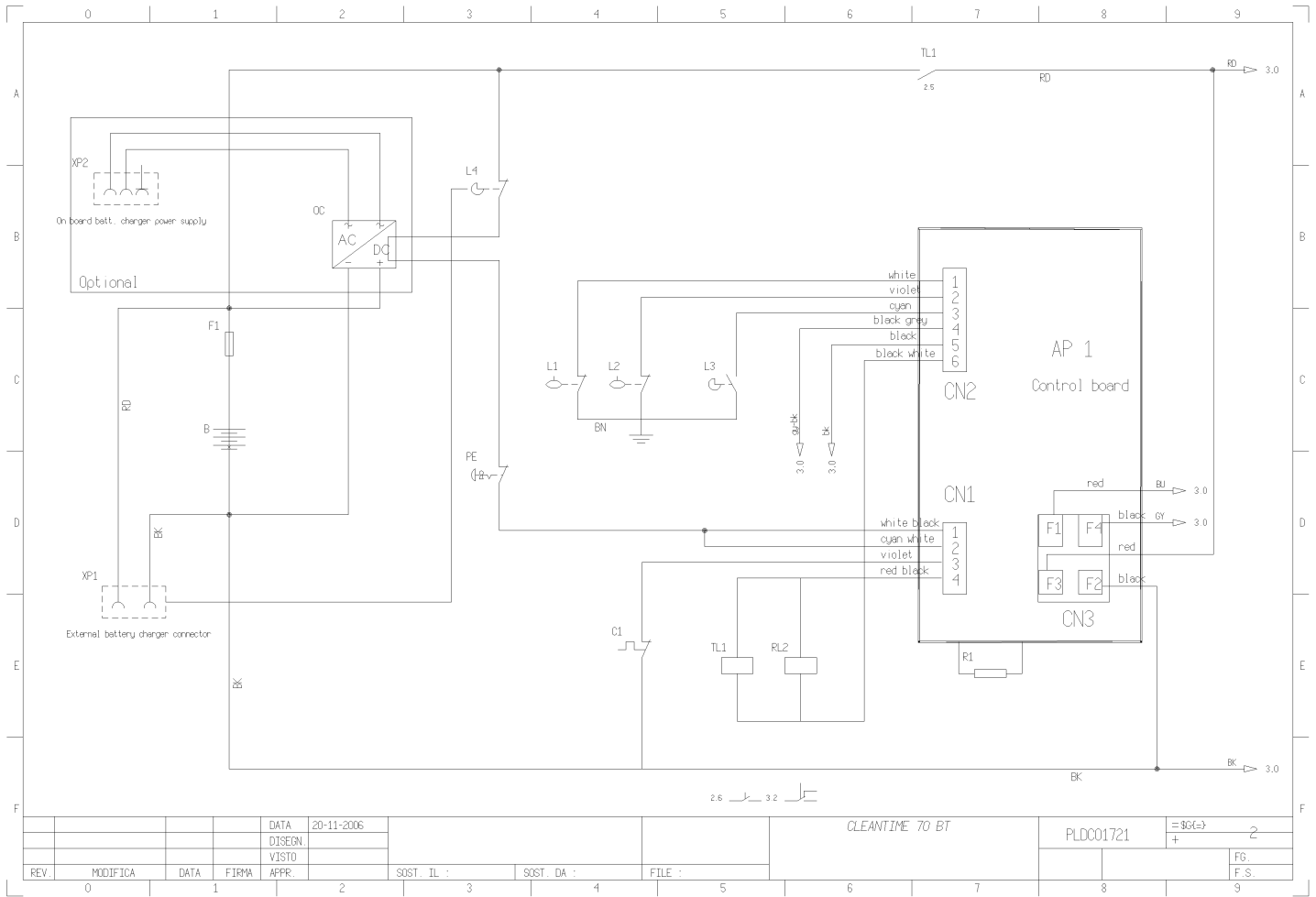
Ref. K	Part N.	Customer Part N.	Description	Qty	Validity:		Price
					From	To	
0002	MICT00196		BOX	1,00			--
0004	VTVT00043		SCREW AUTOF.LEGNO 4,5X25 TS BR	9,00			--
0005	MIVR00137		CLAMP RUOTA POSTERIORE X IMBAL.	1,00			--
0006	GUGO00009		MOUSSE	0,05			--
0007	MIBA00054		PALLET Scrubber 40/62B/BF/A	1,00			--
0008	MIVR00135		CLAMP RUOTA POSTERIORE X IMBAL.	2,00			--



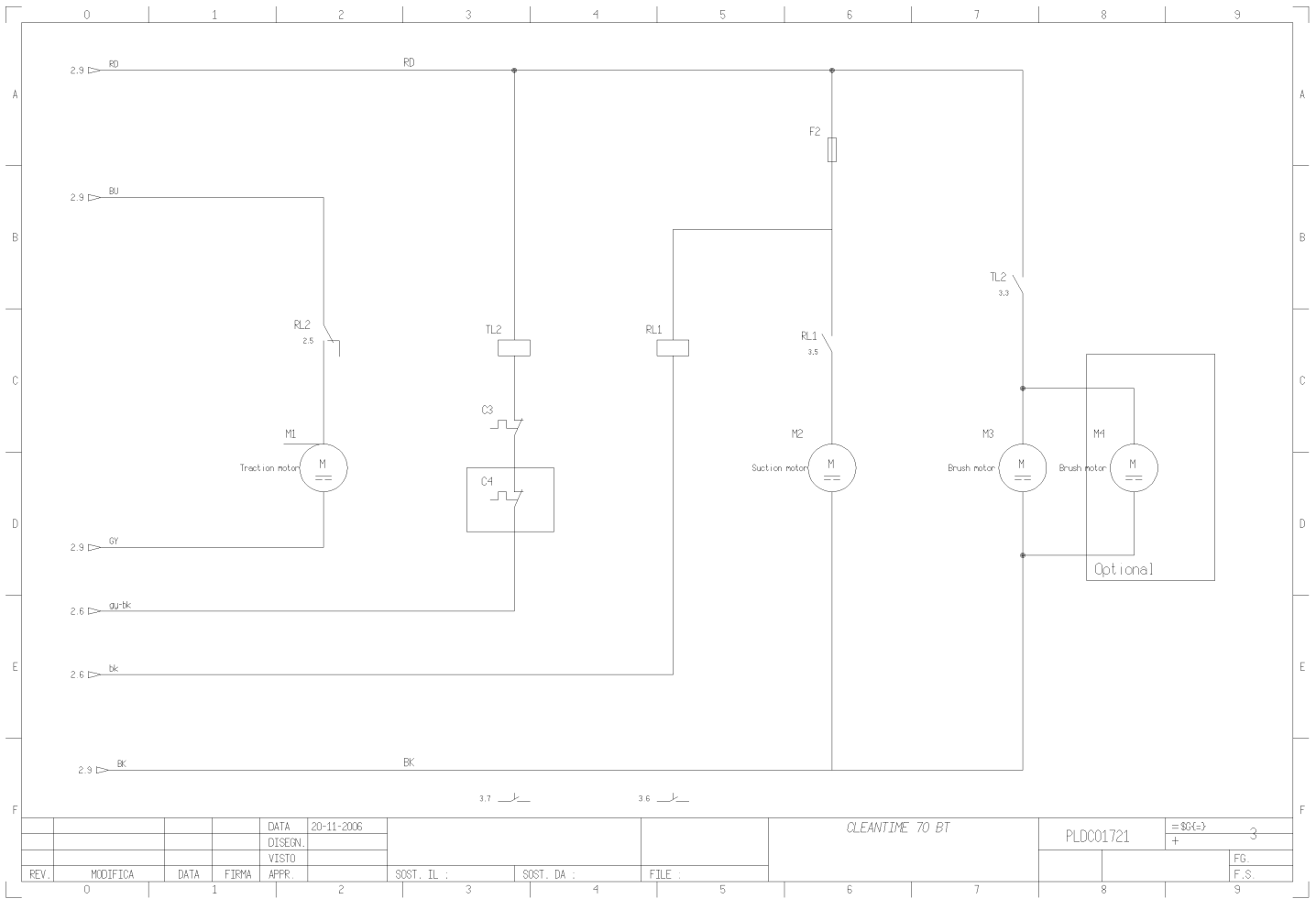
Ref. K	Part N.	Customer Part N.	Description	Qty	Validity: From	To	Price
0001	VTVT15143		SCREW TE 6X16 UNI5739	4,00			--
0002	VTDD13942		NUT M 6 UNI 5587 INX	4,00			--
0003	VTRS15144		WASHER D. 6 INX GRW UNI 1751	18,00			--
0004	MOCC00315		MOTOR MRP6 1/10 210G/ 24V W300	2,00		06/2008	--
0004	MOCC00328		MOTOR -	2,00	06/2008		--
0005	VTVR21944		KEY 6X6X30	2,00			--
0006	VTVT00775		SCREW TCEI M 8X40 ZC.BK UNI5931	2,00			--
0007	LAFN03915		BUSHING NUOVO RUOTINO STRONG	2,00			--
0008	MPVR05290		ROLLER PARACOLPI	2,00	04/2008		--
0008	RTRT43370		CASTER D.100 2V.	2,00		04/2008	--
0009	VTRS13947		WASHER D. 8 INX UNI 6592	4,00			--
0010	VTDD15521		NUT M 8 INX A2 UNI 5588	2,00			--
0011	LAFN09088		HEAD 70	1,00			--
0012	VTDD01695		NUT M 8 INX	2,00			--
0013	VTVT15906		SCREW TE 6X 12 A2 UNI 5739	14,00			--
0014	VTVT21887		SCREW TCB-TC 4X10 8112	2,00			--
0015	MLML00230		SPRING ANTISGANCIO 70 X FLANGIA	2,00		09/2007	--
0015	MLML00231		SPRING ANTISGANCIO 85 X FLANGIA	2,00	09/2007		--
0016	MFVR00133		FLANGE TRASC. SPAZZOLA	2,00			--
0017	MPVR35582		RUBBER LAV.	8,00			--
0020	VTDD15518		NUT M 6 INX	9,00			--
0021	VTRS13945		WASHER D. 6X18 INX UNI 6593	22,00			--
0022	VTRS13946		WASHER D. 8 X24 INX UNI 6593	2,00			--
0023	VTRS15146		WASHER D. 8 INX GRW UNI 1751	2,00			--
0024	VTVT13938		SCREW TE 8X20 UNI5739 INX	2,00			--
0025	LAFN07236		DISTRIBUTOR 70	1,00			--
0027	VTDD00175		NUT M.6 TONDO FILET.4 PUNTE	8,00			--
0028	MPVR04746		FLAP	2,00			--
0029	MPVR05207		SHEET METAL PA.FLAP	2,00			--
0030	VTVT15143		SCREW TE 6X16 UNI5739	8,00			--
0031	VTVT00392		SCREW M6x35 UNI5739 inox	5,00			--
0032	MPVR05232		BUMPER -	1,00			--



Ref. K	Part N.	Customer Part N.	Description	Qty	Validity:		Price
					From	To	
0001	ETET01447		LABEL	1,00			--
0002	LAFN35588		BATTERY SUPPORTLAV. BT	1,00			--
0004	ETET01484		LABEL LATERALE	2,00			--
0005	MPVR07009		TANK RECUPERO CT75	1,00			--
0006	MPVR07010		TANK SOLUZIONE CT75	1,00			--
0007	ETET01487		LABEL -	1,00			--
0008	ETET00763		LABEL SIMBOLO FUSIBILI	1,00			--
0010	MPVR05209		COVER 60-70	1,00		04/2008	--
0010	MPVR05356		COVER 60/70	1,00	04/2008		--
0011	VTRS00516		WASHER D. 5 INX	4,00			--
0012	ETET00906		ADHESIVE SIMBOLO PERICOLO DI ABRAS	2,00			--
0013	ETET00897		ADHESIVE SIMBOLO PERICOLO	2,00			--
0014	ETET00898		ADHESIVE SIMBOLO SCHIACCIAMENTO	1,00			--
0015	VTVT15961		SCREW M 5X 16 TCB TC UNI 7687	4,00			--
0020	SPPV47749		BRUSH NYLON 0.8 D.340 BT 7000	2,00			--
0024	PLDC01602		INSTR.MANUAL CLEANTIME 350	1,00			--
0026	MIVR00072		ENVELOPE PLASTICA TRASP.	1,00			--
0027	MIVR00048		TUBE UNIBOL	1,00			--
0028	MEVR01079		PLUG M CB50 A 600V RD.	1,00			--
0029	MIVR00064		ENVELOPE PORTA CABLAGGI	1,00			--



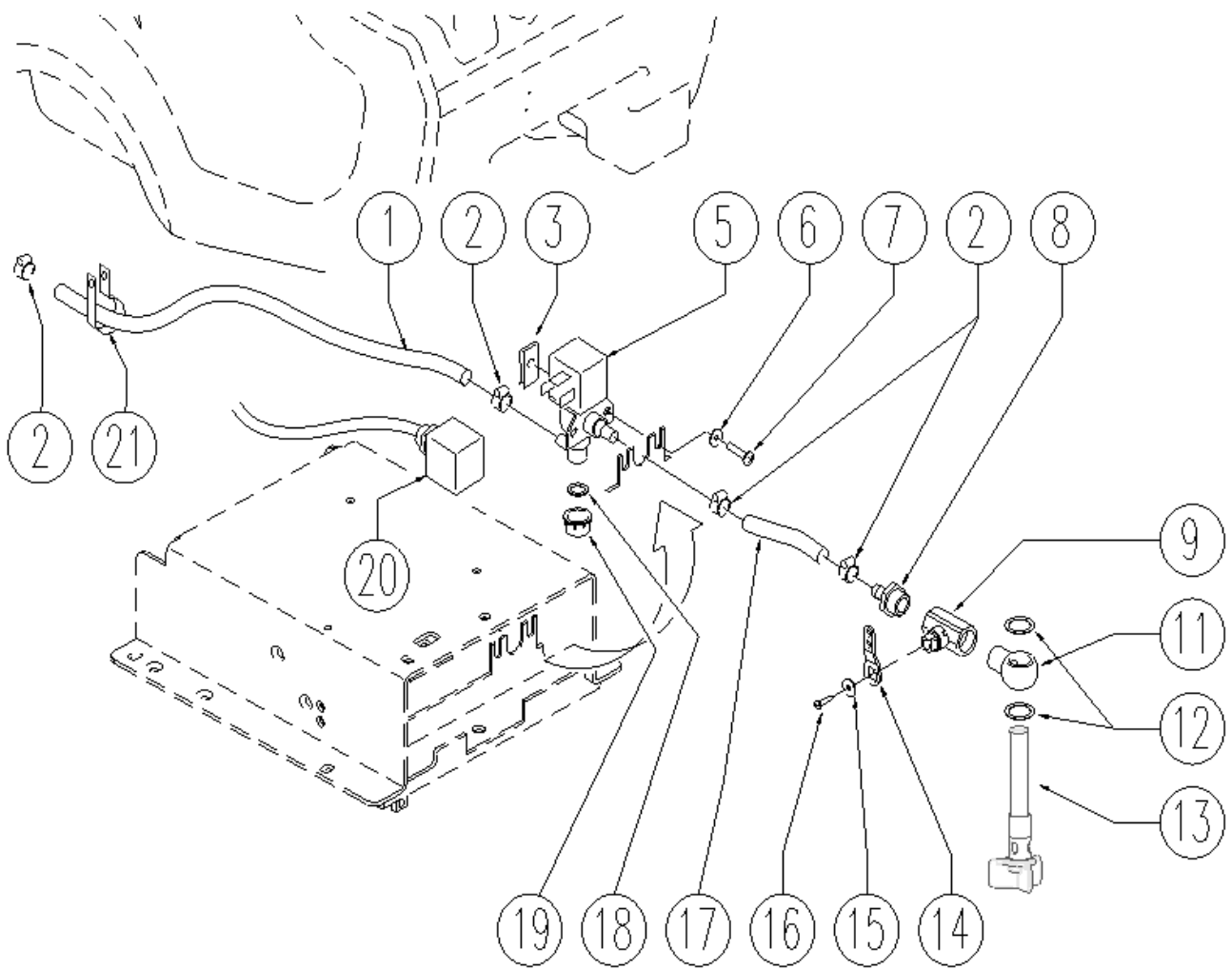
Ref. K	Part N.	Customer Part N.	Description	Qty	Validity:		Price
					From	To	
AP1	MECE00435		BOARD CT40 TRAZIONATA	1,00			--
F1	MEVR01332		FUSE-HOLDER	1,00			--
F2	MEVR01332		FUSE-HOLDER	1,00			--
L1	MECI00516		SENSOR DI LIVELLO ORIZZONTALE	1,00			--
L2	MECI00516		SENSOR DI LIVELLO ORIZZONTALE	1,00			--
L3	MECI36393		MICROSWITCH TRZ. DRW	1,00			--
L4	MECI00334		MICROSWITCH V4	1,00			--
M1	MOCC00301		MOTOR AOMPDI 24V 165W 130G	1,00			--
M2	MOCC00253		MOTOR ASPIR.BIST.24V	1,00			--
M3	MOCC00315		MOTOR MRP6 1/10 210G/ 24V W300	1,00			--
M4	MOCC00315		MOTOR MRP6 1/10 210G/ 24V W300	1,00			--
PE	MECI00402		BUTTON A FUNGO	1,00			--
PE	MECI00403		CONTACT -	1,00			--
RL1	MECE00139		RELAY POTENZA 24V	1,00			--
RL2	MECI00005		RELAY 24V 10/20A	1,00			--
TL1	METT45116		CONTACTOR 24V T106 P	1,00			--
TL2	METT45116		CONTACTOR 24V T106 P	1,00			--



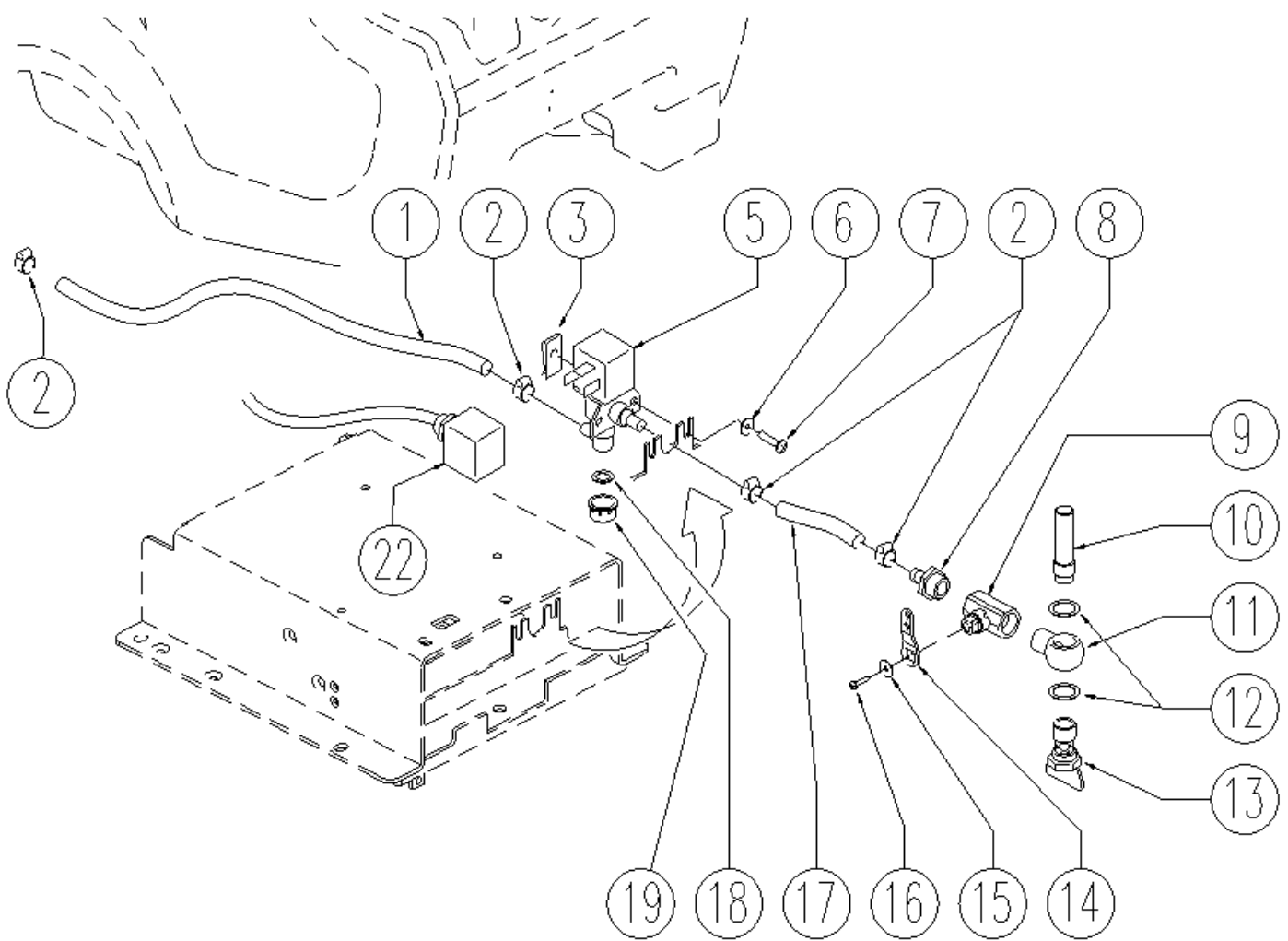
Ref.	K	Part N.	Customer Part N.	Description	Qty	Validity:	From	To	Price
AP1		MECE00435		BOARD CT40 TRAZIONATA	1,00				--
F1		MEVR01332		FUSE-HOLDER	1,00				--
F2		MEVR01332		FUSE-HOLDER	1,00				--
L1		MECI00516		SENSOR DI LIVELLO ORIZZONTALE	1,00				--
L2		MECI00516		SENSOR DI LIVELLO ORIZZONTALE	1,00				--
L3		MECI36393		MICROSWITCH TRZ. DRW	1,00				--
L4		MECI00334		MICROSWITCH V4	1,00				--
M1		MOCC00301		MOTOR AOMPDI 24V 165W 130G	1,00				--
M2		MOCC00253		MOTOR ASPIR.BIST.24V	1,00				--
M3		MOCC00315		MOTOR MRP6 1/10 210G/ 24V W300	1,00				--
M4		MOCC00315		MOTOR MRP6 1/10 210G/ 24V W300	1,00				--
PE		MECI00402		BUTTON A FUNGO	1,00				--
PE		MECI00403		CONTACT -	1,00				--
RL1		MECE00139		RELAY POTENZA 24V	1,00				--
RL2		MECI00005		RELAY 24V 10/20A	1,00				--
TL1		METT45116		CONTACTOR 24V T106 P	1,00				--
TL2		METT45116		CONTACTOR 24V T106 P	1,00				--

0	1	2	3	4	5	6	7	8	9																																																																																																																																																
<table border="1"> <thead> <tr> <th>Sim.\Sym.</th> <th>Sigla\Item</th> <th>Funzione\Use</th> <th>Type</th> <th>Sim.\Sym.</th> <th>Sigla\Item</th> <th>Funzione\Use</th> <th>Type</th> <th>Sim.\Sym.</th> <th>Sigla\Item</th> <th>Funzione\Use</th> <th>Type</th> </tr> </thead> <tbody> <tr> <td></td> <td>B =0G 2</td> <td>24V battery</td> <td></td> <td></td> <td>M2 =0G 3</td> <td>Suction motor</td> <td></td> <td></td> <td>XP2 =0G 2</td> <td>On board batt. charger power supply</td> <td></td> </tr> <tr> <td></td> <td>C1 =0G 2</td> <td>Terminal control traction motor</td> <td></td> <td></td> <td>M3 =0G 3</td> <td>Brush motor</td> <td></td> <td></td> <td></td> <td></td> <td></td> </tr> <tr> <td></td> <td>C3 =0G 3</td> <td>Terminal control brush motor</td> <td></td> <td></td> <td>M4 =0G 3</td> <td>Brush motor</td> <td></td> <td></td> <td></td> <td></td> <td></td> </tr> <tr> <td></td> <td>C4 =0G 3</td> <td>Terminal control optional brush motor</td> <td></td> <td></td> <td>OC =0G 2</td> <td>On board battery charger (option)</td> <td></td> <td></td> <td></td> <td></td> <td></td> </tr> <tr> <td></td> <td>F1 =0G 2</td> <td>Main Fuse</td> <td></td> <td></td> <td>PE =0G 2</td> <td>On / OFF key button</td> <td></td> <td></td> <td></td> <td></td> <td></td> </tr> <tr> <td></td> <td>F2 =0G 3</td> <td>Suction motor Fuse Suction motor fuse</td> <td></td> <td></td> <td>R1 =0G 2</td> <td>Resistance on control board</td> <td></td> <td></td> <td></td> <td></td> <td></td> </tr> <tr> <td></td> <td>L1 =0G 2</td> <td>Clean H2O level switch Level switch fluid</td> <td></td> <td></td> <td>RL1 =0G 3</td> <td>Suction motor relay Command relay on suction motor</td> <td></td> <td></td> <td></td> <td></td> <td></td> </tr> <tr> <td></td> <td>L2 =0G 2</td> <td>Dirty H2O level switch</td> <td></td> <td></td> <td>RL2 =0G 2</td> <td>Traction contactor</td> <td></td> <td></td> <td></td> <td></td> <td></td> </tr> <tr> <td></td> <td>L3 =0G 2</td> <td>Traction enable switch</td> <td></td> <td></td> <td>TL1 =0G 2</td> <td>Main contactor</td> <td></td> <td></td> <td></td> <td></td> <td></td> </tr> <tr> <td></td> <td>L4 =0G 2</td> <td>External Battery charger connector switch</td> <td></td> <td></td> <td>TL2 =0G 3</td> <td>Brush motor contactor Brush motor contactor</td> <td></td> <td></td> <td></td> <td></td> <td></td> </tr> <tr> <td></td> <td>M1 =0G 3</td> <td>Traction motor</td> <td></td> <td></td> <td>XP1 =0G 2</td> <td>External battery charger connector</td> <td></td> <td></td> <td></td> <td></td> <td></td> </tr> </tbody> </table>										Sim.\Sym.	Sigla\Item	Funzione\Use	Type	Sim.\Sym.	Sigla\Item	Funzione\Use	Type	Sim.\Sym.	Sigla\Item	Funzione\Use	Type		B =0G 2	24V battery			M2 =0G 3	Suction motor			XP2 =0G 2	On board batt. charger power supply			C1 =0G 2	Terminal control traction motor			M3 =0G 3	Brush motor							C3 =0G 3	Terminal control brush motor			M4 =0G 3	Brush motor							C4 =0G 3	Terminal control optional brush motor			OC =0G 2	On board battery charger (option)							F1 =0G 2	Main Fuse			PE =0G 2	On / OFF key button							F2 =0G 3	Suction motor Fuse Suction motor fuse			R1 =0G 2	Resistance on control board							L1 =0G 2	Clean H2O level switch Level switch fluid			RL1 =0G 3	Suction motor relay Command relay on suction motor							L2 =0G 2	Dirty H2O level switch			RL2 =0G 2	Traction contactor							L3 =0G 2	Traction enable switch			TL1 =0G 2	Main contactor							L4 =0G 2	External Battery charger connector switch			TL2 =0G 3	Brush motor contactor Brush motor contactor							M1 =0G 3	Traction motor			XP1 =0G 2	External battery charger connector					
Sim.\Sym.	Sigla\Item	Funzione\Use	Type	Sim.\Sym.	Sigla\Item	Funzione\Use	Type	Sim.\Sym.	Sigla\Item	Funzione\Use	Type																																																																																																																																														
	B =0G 2	24V battery			M2 =0G 3	Suction motor			XP2 =0G 2	On board batt. charger power supply																																																																																																																																															
	C1 =0G 2	Terminal control traction motor			M3 =0G 3	Brush motor																																																																																																																																																			
	C3 =0G 3	Terminal control brush motor			M4 =0G 3	Brush motor																																																																																																																																																			
	C4 =0G 3	Terminal control optional brush motor			OC =0G 2	On board battery charger (option)																																																																																																																																																			
	F1 =0G 2	Main Fuse			PE =0G 2	On / OFF key button																																																																																																																																																			
	F2 =0G 3	Suction motor Fuse Suction motor fuse			R1 =0G 2	Resistance on control board																																																																																																																																																			
	L1 =0G 2	Clean H2O level switch Level switch fluid			RL1 =0G 3	Suction motor relay Command relay on suction motor																																																																																																																																																			
	L2 =0G 2	Dirty H2O level switch			RL2 =0G 2	Traction contactor																																																																																																																																																			
	L3 =0G 2	Traction enable switch			TL1 =0G 2	Main contactor																																																																																																																																																			
	L4 =0G 2	External Battery charger connector switch			TL2 =0G 3	Brush motor contactor Brush motor contactor																																																																																																																																																			
	M1 =0G 3	Traction motor			XP1 =0G 2	External battery charger connector																																																																																																																																																			
<table border="1"> <tr> <td>REV.</td> <td>MODIFICA</td> <td>DATA</td> <td>FIRMA</td> <td>APPR.</td> <td>SOST. IL :</td> <td>SOST. DA :</td> <td>FILE :</td> <td colspan="2">CLEAN TIME 70 BT</td> </tr> <tr> <td>0</td> <td></td> <td></td> <td></td> <td></td> <td></td> <td></td> <td></td> <td colspan="2">PLDC01721</td> </tr> <tr> <td colspan="8"></td> <td>=80(+)</td> <td>4</td> </tr> <tr> <td colspan="8"></td> <td>+</td> <td></td> </tr> <tr> <td colspan="8"></td> <td>FG.</td> <td></td> </tr> <tr> <td colspan="8"></td> <td>F.S.</td> <td></td> </tr> </table>										REV.	MODIFICA	DATA	FIRMA	APPR.	SOST. IL :	SOST. DA :	FILE :	CLEAN TIME 70 BT		0								PLDC01721										=80(+)	4									+										FG.										F.S.																																																																																					
REV.	MODIFICA	DATA	FIRMA	APPR.	SOST. IL :	SOST. DA :	FILE :	CLEAN TIME 70 BT																																																																																																																																																	
0								PLDC01721																																																																																																																																																	
								=80(+)	4																																																																																																																																																
								+																																																																																																																																																	
								FG.																																																																																																																																																	
								F.S.																																																																																																																																																	

Ref. K	Part N.	Customer Part N.	Description	Qty	Validity: From To	Price
AP1	MECE00435		BOARD CT40 TRAZIONATA	1,00		--
F1	MEVR01332		FUSE-HOLDER	1,00		--
F2	MEVR01332		FUSE-HOLDER	1,00		--
L1	MECI00516		SENSOR DI LIVELLO ORIZZONTALE	1,00		--
L2	MECI00516		SENSOR DI LIVELLO ORIZZONTALE	1,00		--
L3	MECI36393		MICROSWITCH TRZ. DRW	1,00		--
L4	MECI00334		MICROSWITCH V4	1,00		--
M1	MOCC00301		MOTOR AOMPDI 24V 165W 130G	1,00		--
M2	MOCC00253		MOTOR ASPIR.BIST.24V	1,00		--
M3	MOCC00315		MOTOR MRP6 1/10 210G/ 24V W300	1,00		--
M4	MOCC00315		MOTOR MRP6 1/10 210G/ 24V W300	1,00		--
PE	MECI00402		BUTTON A FUNGO	1,00		--
PE	MECI00403		CONTACT -	1,00		--
RL1	MECE00139		RELAY POTENZA 24V	1,00		--
RL2	MECI00005		RELAY 24V 10/20A	1,00		--
TL1	METT45116		CONTACTOR 24V T106 P	1,00		--
TL2	METT45116		CONTACTOR 24V T106 P	1,00		--



Ref. K	Part N.	Customer Part N.	Description	Qty	Validity:		Price
					From	To	
0001	TBFX00308		TUBE L=580MM	1,00			--
0002	FSVR00091		CLAMP 14-24	4,00			--
0003	MLML00002		SPRING PRESTOLA DOPPIA 8P	2,00			--
0004	VTRS00515		WASHER D. 4 INX	2,00			--
0005	MEEV00018		SOLENOID VALVE	1,00			--
0006	VTRS00516		WASHER D. 5 INX	2,00			--
0007	VTVT48694		SCREW TCB TC 5 X12 UNI 9707 TZ	2,00			--
0008	RCVR00536		CONNECTOR PORTAG.	1,00			--
0009	RCGR00065		TAP F/F 1/2"	1,00			--
0011	RCDS49622		CONNECTOR OCC 1/2 - 1/2M	1,00			--
0012	VTRS00142		WASHER BONDER 1/2"	2,00			--
0013	MPVR05221		FILTER COMPLETO	1,00			--
0014	LAFN05902		LEVER RUBINETTO	1,00			--
0015	VTRS00251		WASHER 4-16 INOX A2	1,00			--
0016	VTVT01316		SCREW TC+ M3-16	1,00			--
0017	TBFX00309		TUBE FLEX D.10X3 L=155MM	1,00			--
0018	GUGO00268		GASKET D.21 SP.3 GOMMA	1,00			--
0019	RCVR00353		CAP 1/2"G X ELETTROV. ACL	1,00			--
0020	MECB00916		WIRING ELETTROVALVOLA	1,00			--
0021	FSVR00032		CLAMP	1,00			--



Ref. K	Part N.	Customer Part N.	Description	Qty	Validity:		Price
					From	To	
0001	TBFX00308		TUBE L=580MM	1,00			--
0002	FSVR00091		CLAMP 14-24	4,00			--
0003	MLML00002		SPRING PRESTOLA DOPPIA 8P	2,00			--
0004	VTRS00515		WASHER D. 4 INX	2,00			--
0005	MEEV00018		SOLENOID VALVE	1,00			--
0006	VTRS00516		WASHER D. 5 INX	2,00			--
0007	VTVT48694		SCREW TCB TC 5 X12 UNI 9707 TZ	2,00			--
0008	RCVR00536		CONNECTOR PORTAG.	1,00			--
0009	RCGR00065		TAP F/F 1/2"	1,00			--
0010	FTAC00036		FILTER IN RETE	1,00			--
0011	RCDS49622		CONNECTOR OCC 1/2 - 1/2M	1,00			--
0012	VTRS00142		WASHER BONDER 1/2"	2,00	04/2007		--
0012	GUVR00213		WASHER GOMMA	2,00		04/2007	--
0013	RCDS00026		SCREW -	1,00			--
0014	LAFN05902		LEVER RUBINETTO	1,00			--
0015	VTRS00251		WASHER 4-16 INOX A2	1,00			--
0016	VTVT01316		SCREW TC+ M3-16	1,00			--
0017	TBFX00309		TUBE FLEX D.10X3 L=155MM	1,00			--
0018	GUGO00268		GASKET D.21 SP.3 GOMMA	1,00			--
0019	RCVR00353		CAP 1/2"G X ELETTROV. ACL	1,00			--
0022	MECB00916		WIRING ELETTRIVALVOLA	1,00			--