



IPC Integrated Professional Cleaning

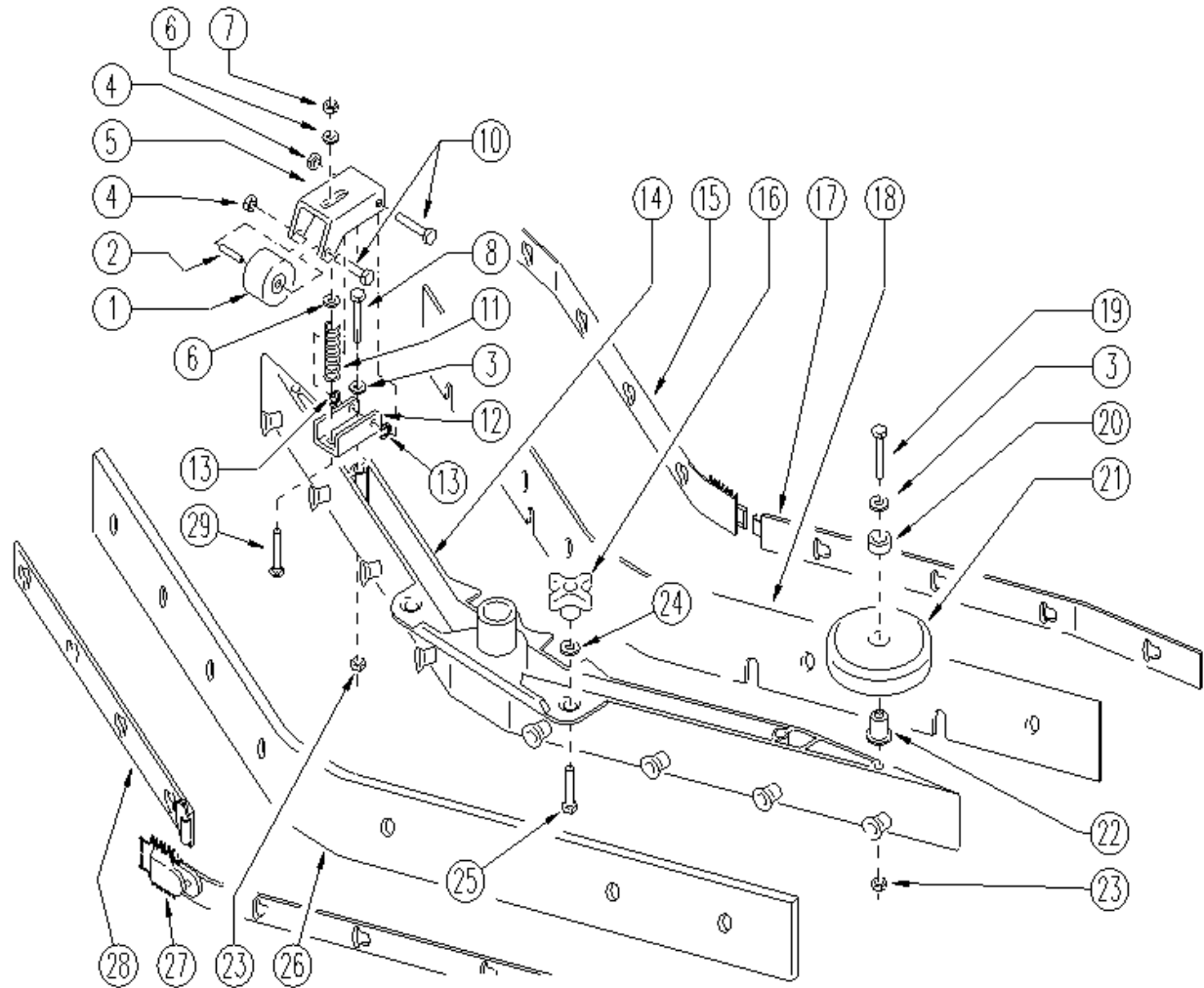
IPCGansow

Spare Parts List

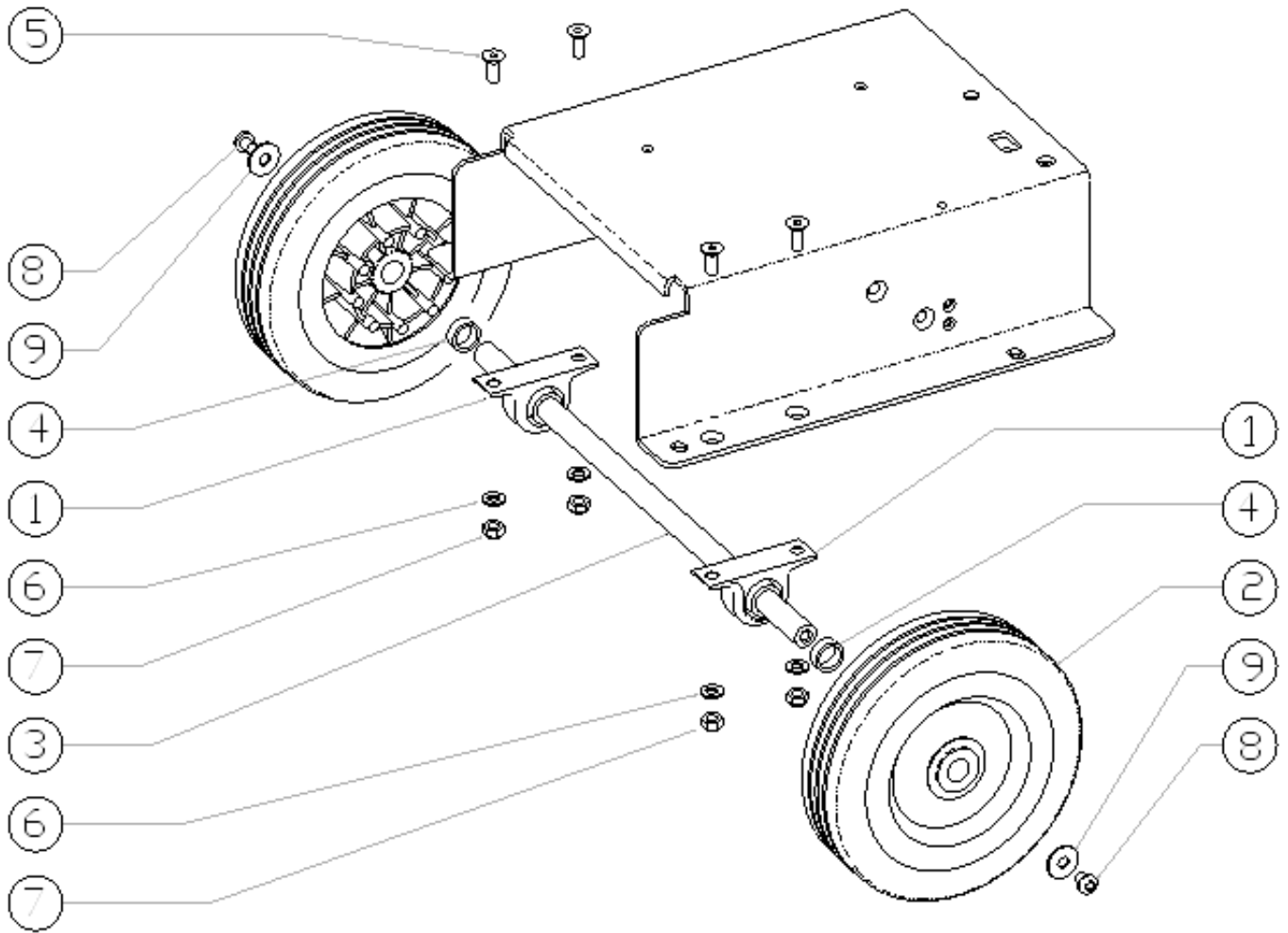
TAVERNARO AG

Ref: LPTE01049

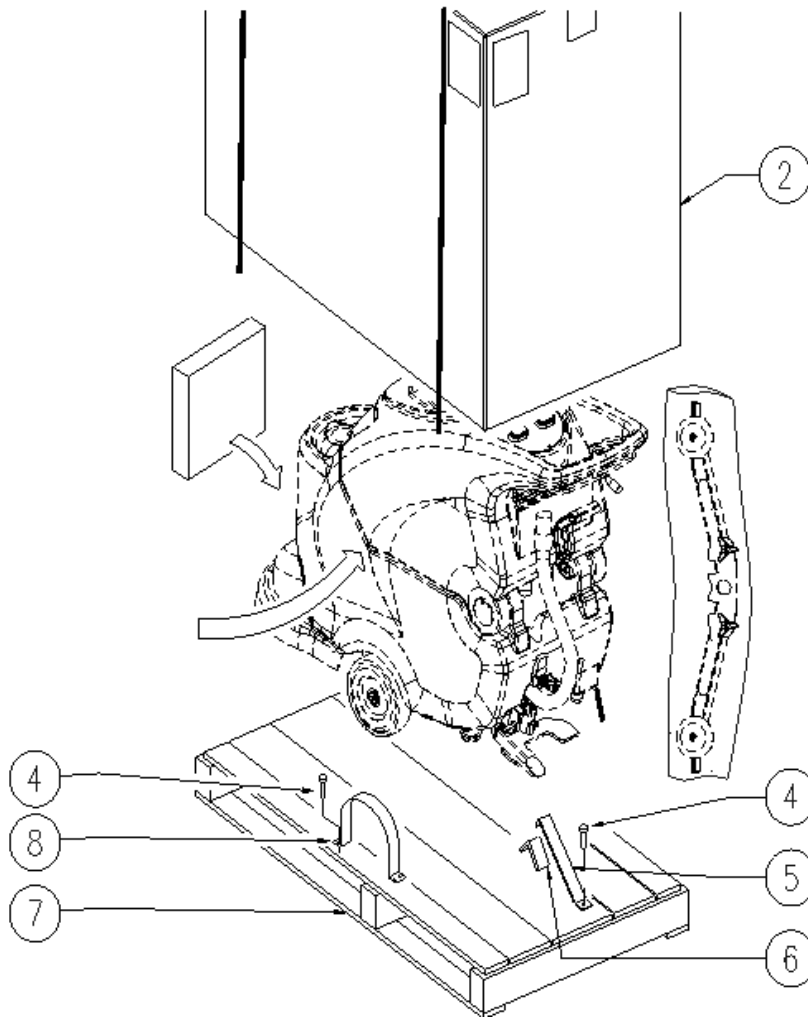
Model: Cleantime 40 C55 + Elettrovalvola



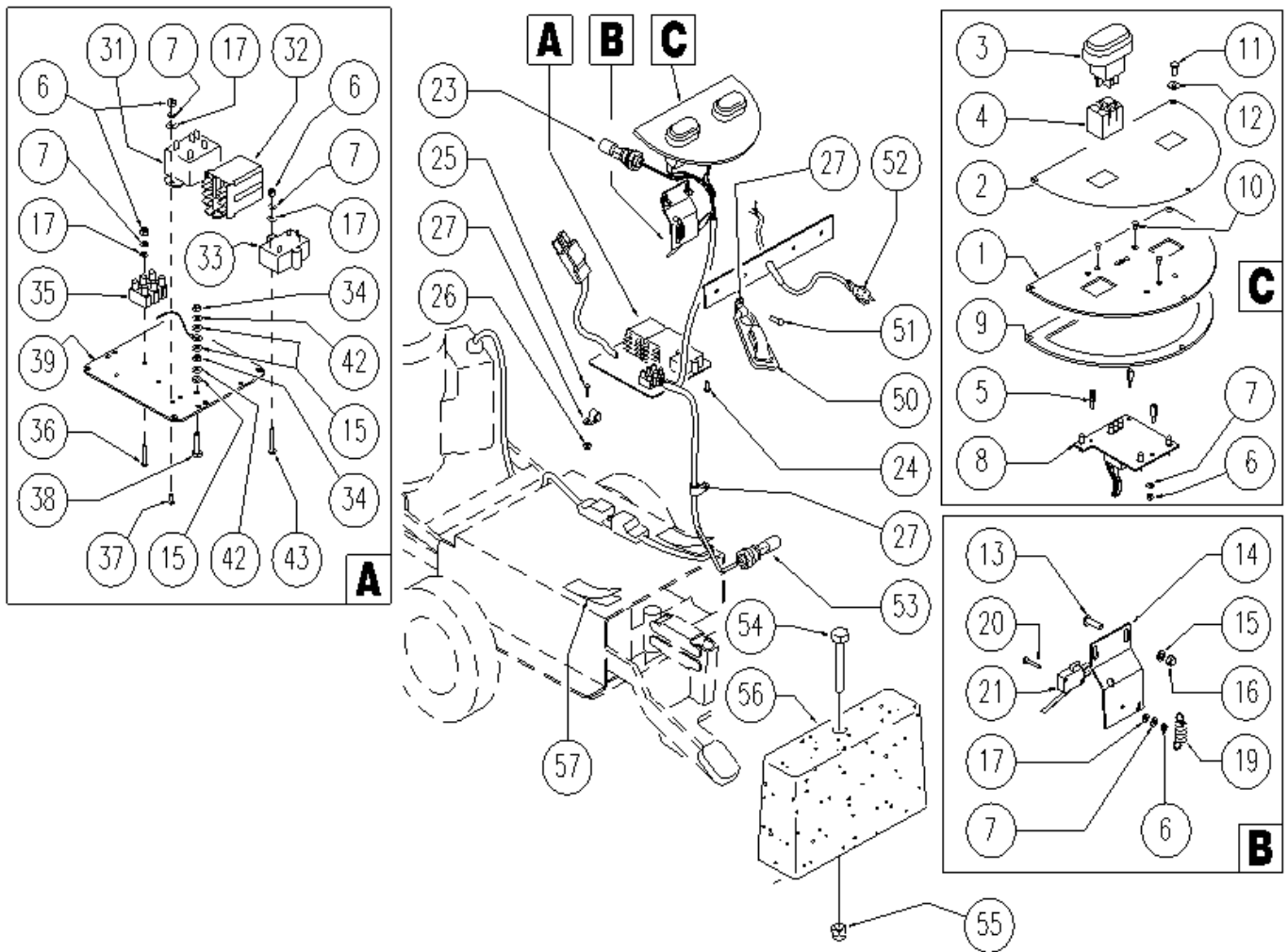
Ref. K	Part N.	Customer Part N.	Description	Qty	Validity:		Price
					From	To	
0001	RTRT49413		WHEEL D. 60-D.15 X36 NYL.	2,00	03/2004		--
0002	LAFN04041		SPACER D6/15	2,00	03/2004		--
0003	VTRS00245		WASHER D.6 UNI 6592 INOX	12,00	03/2004	05/2006	--
0003	VTRS15144		WASHER D. 6 INX GRW UNI 1751	4,00	05/2006		--
0004	VTDD01694		NUT M 6 INX	6,00	03/2004		--
0005	LAFN05559		SUPPORT RUOTINO	2,00	03/2004		--
0006	VTRS13947		WASHER D. 8 INX UNI 6592	4,00	03/2004		--
0007	VTDD01695		NUT M 8 INX	2,00	03/2004		--
0008	VTVT15142		SCREW TE M 6x45 INOX	2,00	03/2004		--
0009	VTRS15144		WASHER D. 6 INX GRW UNI 1751	4,00	03/2004	05/2006	--
0010	VTVT15143		SCREW TE 6X16 UNI5739	4,00	03/2004	05/2006	--
0010	VTVT15515		SCREW TE M 6X 50 INOX A2	4,00	05/2006		--
0011	MLML49422		SPRING D.15X 45 X1	2,00			--
0012	LAFN51069		BRACKET SUPP.RUOTINO SQUEEGEE	2,00			--
0013	VTAE45707		CIRCLIP D. 6 UNI 7434 INOX	4,00			--
0014	MFVR00141		BODY SQUEEGEE PRESSOFUSO	1,00	03/2004		--
0015	LAFN51045		LAMINATION BLOCCA LAMA ANTER.SX S	1,00	03/2004		--
0016	MPVR04164		HANDWHEEL M8 FILETTO PASSANTE	2,00	03/2004		--
0017	LAFN51044		LAMINATION BLOCCA LAMA ANTER.DX S	1,00	03/2004		--
0018	MPVR45194		RUBBER BLADE LAV. 800 ANT.	1,00	03/2004		--
0019	VTVT00655		SCREW TE M. 6-55	2,00			--
0020	MPVR49229		BUSHING SHK	2,00	03/2004		--
0021	RTRT43370		CASTER D.100 2V.	2,00	03/2004		--
0022	LAFN04100		SPACER PER RUOTINO PARACOLPI	2,00	03/2004		--
0023	VTDD15520		NUT M 6 A2 UNI 5588 INX	4,00	03/2004		--
0024	VTAE00074		CIRCLIP D8	2,00	03/2004		--
0025	VTVT01050		SCREW TE M 8X30 INX UNI 5737	2,00	06/2004		--
0026	MPVR45195		RUBBER BLADE LAV. 800 PST.POL.	1,00	03/2004		--
0027	LAFN49284		BLADE HOLDER POSTERIORE DX (S)	1,00	03/2004		--
0028	LAFN49285		BLADE HOLDER POSTERIORE SX (S)	1,00	03/2004		--
0029	VTVT01304		SCREW M 8X 40 TTQST UNI 5731	2,00	05/2006		--



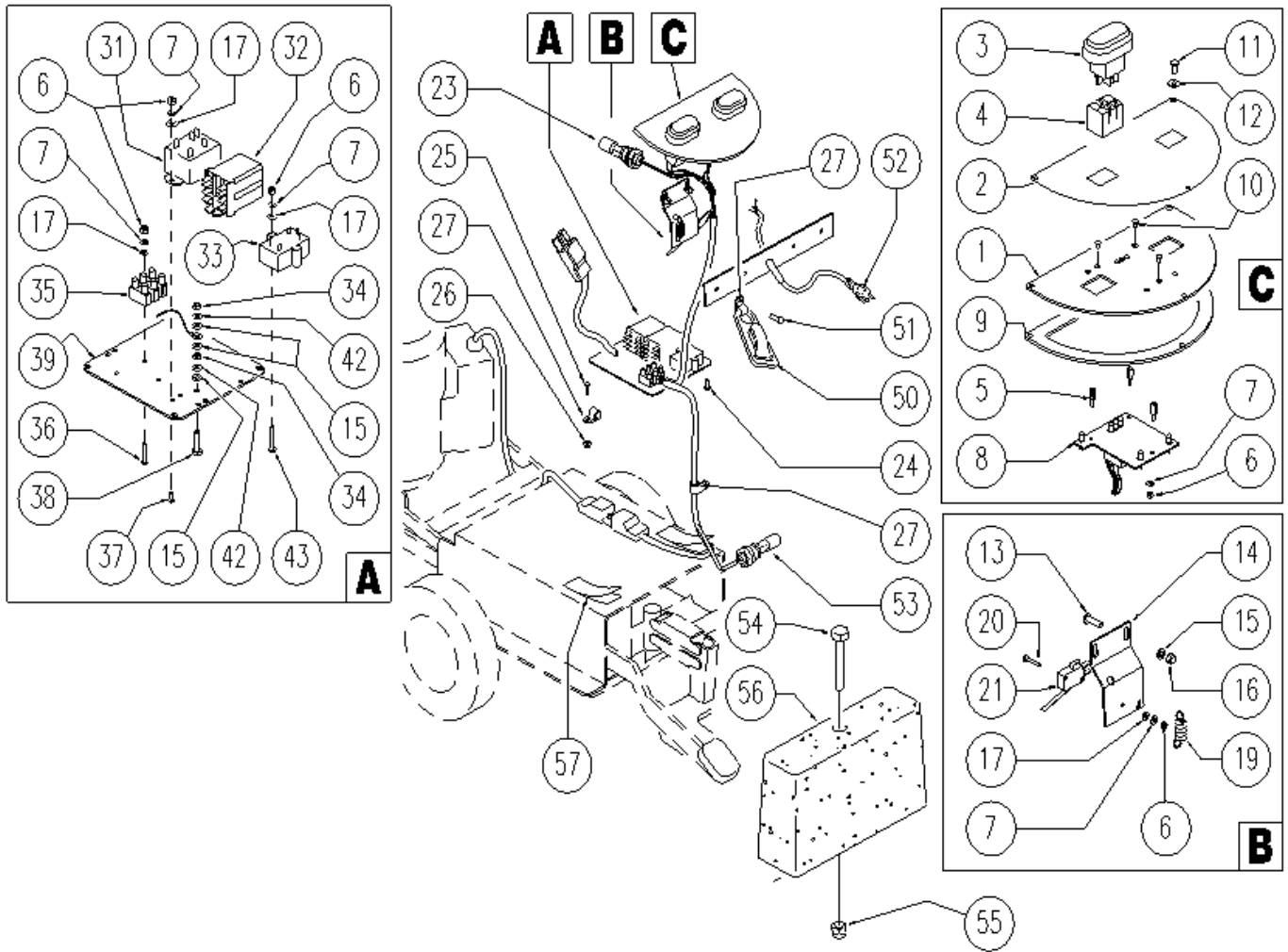
Ref. K	Part N.	Customer Part N.	Description	Qty	Validity:		Price
					From	To	
0001	CUVR49833		BALL BEARING SBPP 203	2,00	02/2004		--
0002	RTRT00366		WHEEL D200 X CLT 40	2,00			--
0003	LAFN35746		WHEELS AXLE LAV. E/B 450	1,00	02/2004		--
0004	LAFN04169		BUSHING ASSE RUOTE EXTREME	2,00	02/2004		--
0005	VTVT00842		SCREW	4,00			--
0006	VTRS13947		WASHER D. 8 INX UNI 6592	4,00	02/2004		--
0007	VTDD01695		NUT M 8 INX	4,00	02/2004		--
0008	VTVT00666		SCREW TBEI M. 8-10 INOX	2,00	02/2004		--
0009	VTRS13946		WASHER D. 8 X24 INX UNI 6593	2,00	02/2004		--



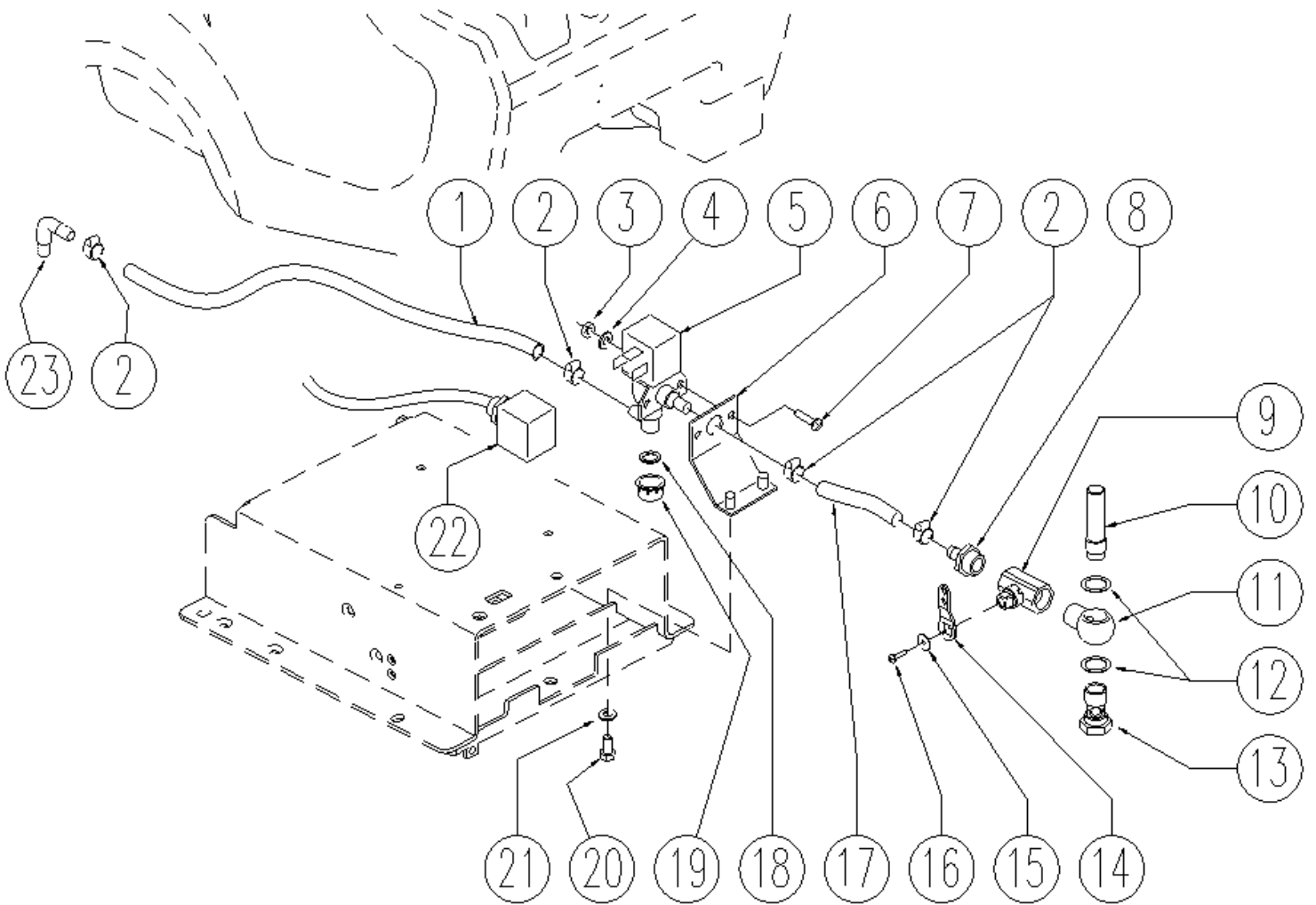
Ref. K	Part N.	Customer Part N.	Description	Qty	Validity:		Price
					From	To	
0002	MICT00147		CARTON IMBALLO RULLI	1,00			--
0004	VTVT00043		SCREW AUTOF.LEGNO 4,5X25 TS BR	9,00			--
0005	MIVR00137		CLAMP RUOTA POSTERIORE X IMBAL.	1,00			--
0007	MIBA00077		PALLET RULLI	1,00			--
0008	MIVR00135		CLAMP RUOTA POSTERIORE X IMBAL.	2,00			--



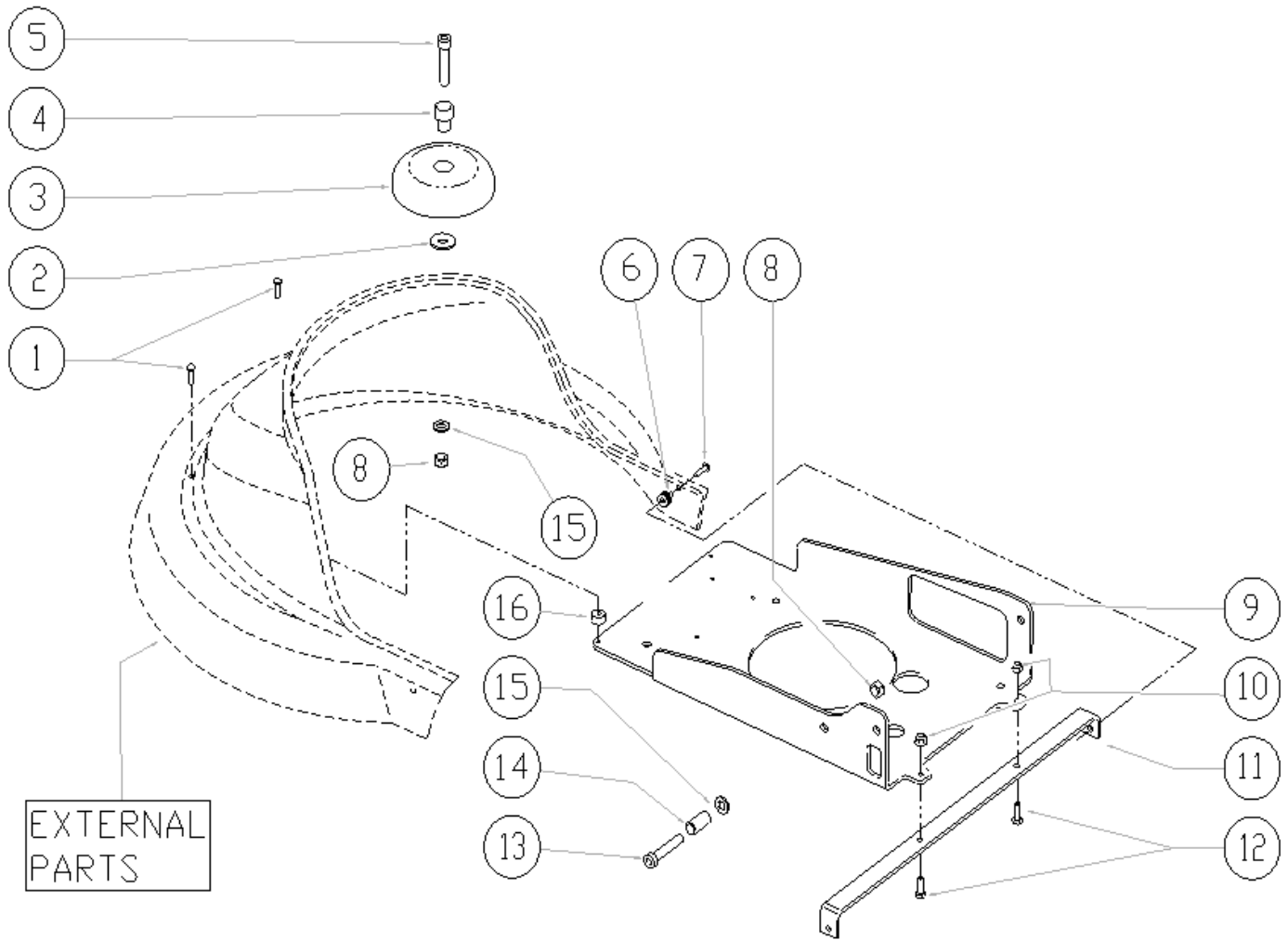
Ref. K	Part N.	Customer Part N.	Description	Qty	Validity:		Price
					From	To	
0002	ETET01379		LABEL CLT 40 230V	1,00	03/2004		--
0003	MECI00383		SWITCH TTR/L BIP. 230V	2,00	03/2004		--
0004	MECI00384		BASE 401	2,00			--
0005	LAFN04047		SPACER X SCHEDE M3 15x8x8	3,00	03/2004		--
0006	VTDD21115		NUT M 3 INOX	13,00	03/2004		--
0007	VTRS00268		WASHER D.3	13,00	03/2004		--
0008	MECE00397		GEARCASE/BOARD CT40 C 230V	1,00	03/2004		--
0009	GUGO38417		GASKET PANN.COM.EXTREME	1,00	03/2004		--
0010	VTVT00865		SCREW TSP-TC M 3X 6 UNI7688 INX	3,00	03/2004		--
0011	VTVT37012		SCREW M 4X 10 TCB-TC INX	3,00	03/2004		--
0012	VTRS00515		WASHER D. 4 INX	3,00	03/2004		--
0013	VTVT00651		SCREW TBEI M. 5x16 INOX	2,00	04/2004		--
0014	LAFN05904		PLATE MICRO LEVA	1,00	04/2004		--
0015	VTRS00516		WASHER D. 5 INX	5,00	04/2004		--
0016	VTDD15517		NUT M 5 INX	2,00	04/2004		--
0017	VTRS21116		WASHER D. 3 INX	8,00	03/2004		--
0019	MLML34726		SPRING TR E350 N	1,00	04/2004		--
0020	VTVT01316		SCREW TC+ M3-16	2,00	03/2004		--
0021	MECI36393		MICROSWITCH TRZ. DRW	1,00	03/2004		--
0023	MECI00399		SENSOR DI LIVELLO ORIZZONTALE	1,00			--
0024	VTVT01580		SCREW TC M5X10 UNI7687 INOX	4,00			--
0025	VTVT00681		SCREW	2,00	04/2004		--
0026	VTDD15925		NUT M 4 INX	2,00	04/2004		--
0027	FSVR00099		CLAMP FERMATUBO	4,00	03/2004		--
0031	MERL00005		SWITCH RELAY finder 230v-50hz	1,00			--
0032	MERL48877		RELAY 628282300000 230V	1,00	07/2004		--
0033	MECE31132		FILTER LC LAVAM. FL.	1,00	03/2004		--
0034	VTDD07727		NUT M 5 INOX	2,00	03/2004		--
0035	MEVR01110		TERMINAL BOARD 3 POS PA27	1,00			--
0036	VTVT00633		SCREW	2,00			--
0037	VTVT00722		SCREW	4,00	03/2004		--
0038	VTVT00766		SCREW TE M. 5-25	1,00	03/2004		--
0039	LAFN06549		PLATE CABLAGGIO PRINCIPALE CLT	1,00	03/2004		--
0042	VTRS15908		WASHER D. 5 INX GRW UNI 1751	2,00	03/2004		--
0050	MEVR01252		CUT PREVENTER CAVO ELETTRICO TIPO 500	1,00	03/2004		--
0051	VTVT15961		SCREW M 5X 16 TCB TC UNI 7687	4,00			--
0052	MECB00945		CABLE ALIMENAZ. 3X1.5 L=650	1,00	03/2004		--
0053	MECI00400		SENSOR DI LIVELLO ORIZZONTALE	1,00			--
0054	VTVT24212		SCREW TE M.12-100 UNI 5737 INOX	1,00	04/2004		--



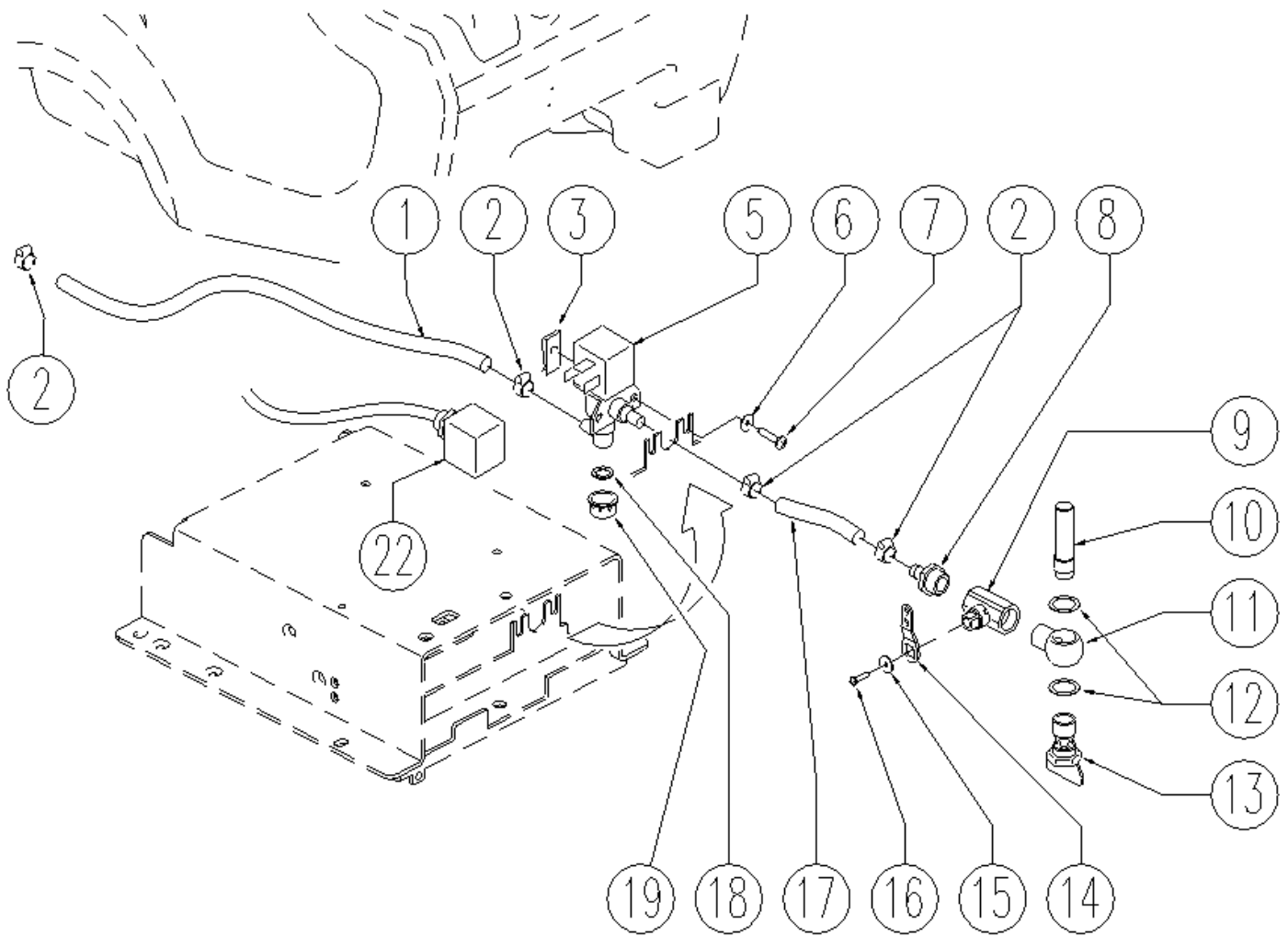
Ref. K	Part N.	Customer Part N.	Description	Qty	Validity:		Price
					From	To	
0055	VTDD00176		NUT M.12 INOX A2 BASSO	1,00	04/2004		--
0056	MFVR00204		WEIGHT	1,00			--



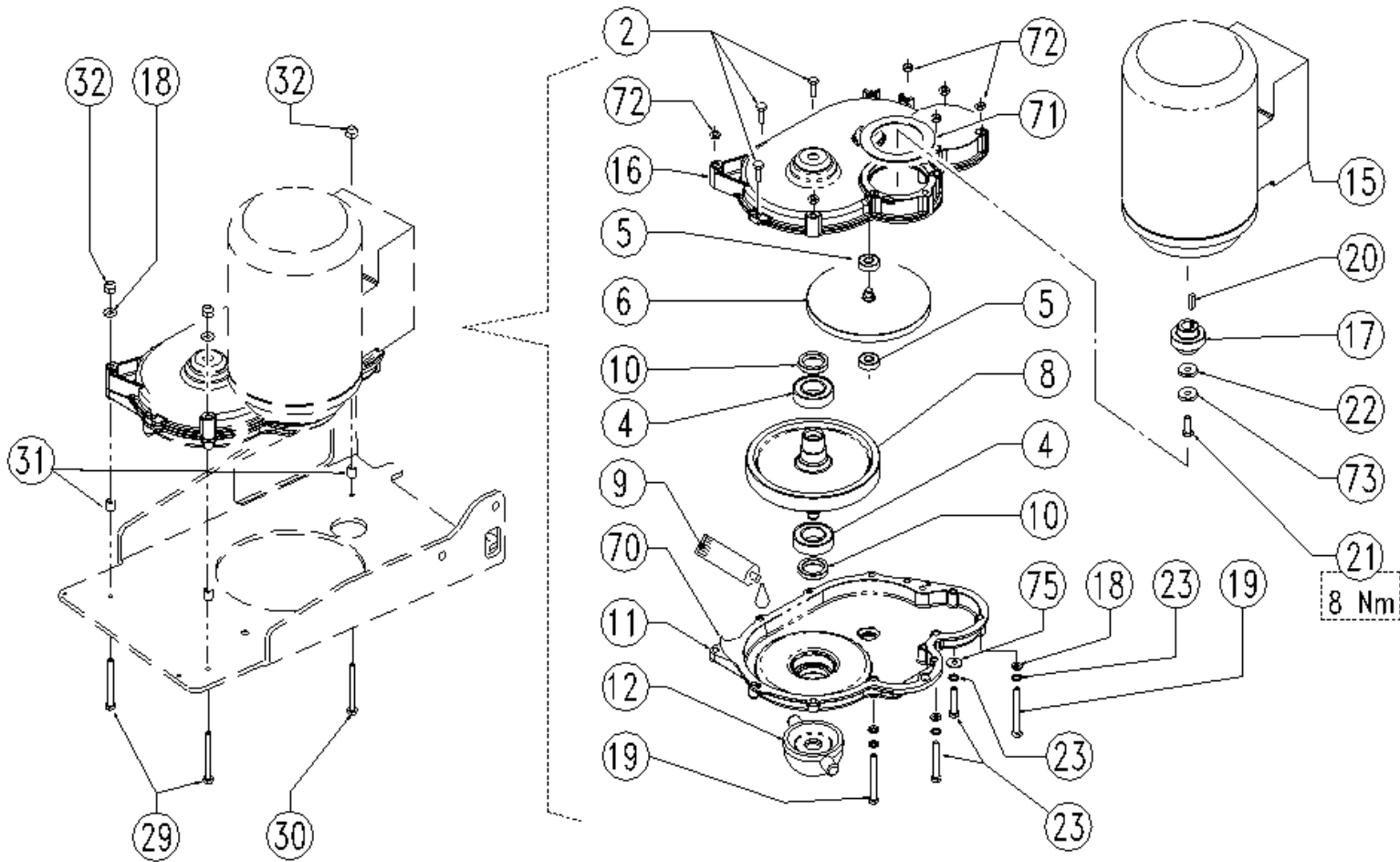
Ref.	K	Part N.	Customer Part N.	Description	Qty	Validity:		Price
						From	To	
0001		TBBP00354		TUBE ARMORVIN	1,00			--
0002		FSVR00096		CLAMP 10-16 INOX	4,00			--
0003		VTDD15925		NUT M 4 INX	2,00			--
0004		VTRS00515		WASHER D. 4 INX	2,00			--
0005		MEEV00019		SOLENOID VALVE	1,00			--
0006		LAFN51088		PLATE ELETTRORVALVOLA	1,00			--
0007		VTVT00704		SCREW TE M 4X 16 UNI5739 INOX	2,00			--
0008		RCVR00536		CONNECTOR PORTAG.	1,00			--
0009		RCGR00065		TAP F/F 1/2"	1,00			--
0010		FTAC00036		FILTER IN RETE	1,00			--
0011		RCDS49622		CONNECTOR OCC 1/2 - 1/2M	1,00			--
0012		GUVR00213		WASHER GOMMA	2,00			--
0013		RCDS49623		SCREW G 1/2 L=41.5	1,00			--
0014		LAFN05902		LEVER RUBINETTO	1,00			--
0015		VTRS00251		WASHER 4-16 INOX A2	1,00			--
0016		VTVT00633		SCREW	1,00			--
0017		TBFX49101		TUBE FLEX D.34 CPL.SHK	1,00			--
0018		GUGO00268		GASKET D.21 SP.3 GOMMA	1,00			--
0019		RCVR00353		CAP 1/2"G X ELETTRORV. ACL	1,00			--
0020		VTVT00817		SCREW TE M4x12 UNI 5739 INOX	2,00			--
0021		VTRS15913		WASHER D. 4 GROVER A2 UNI1751	2,00			--
0022		MECB00917		WIRING PEDALE ACCEL.P160	1,00			--
0023		RCVR00543		CONNECTOR A GOMITO	1,00			--



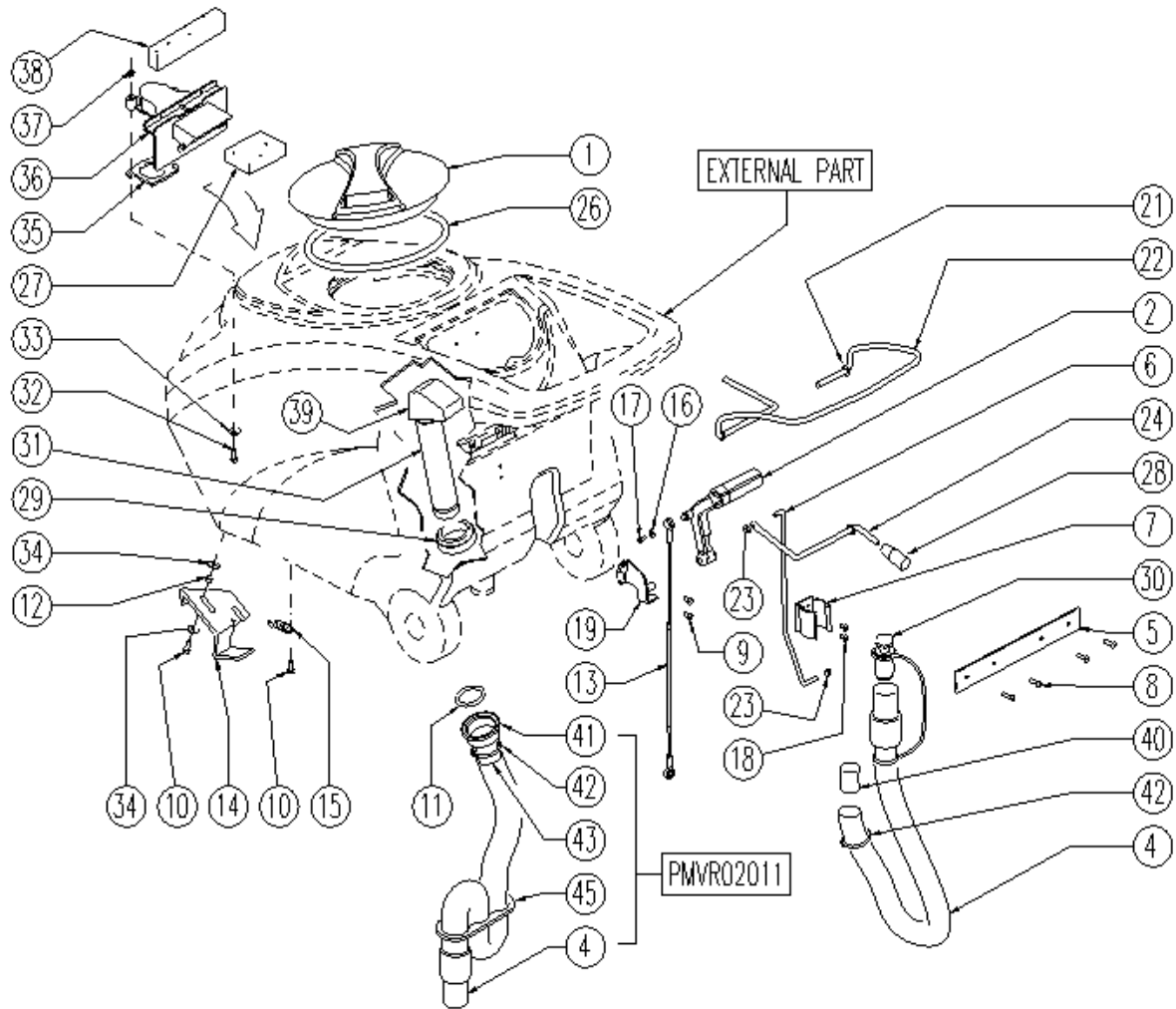
Ref. K	Part N.	Customer Part N.	Description	Qty	Validity:		Price
					From	To	
0001	VTVT01004		SCREW TC+ M4 X 10 TRILOBATA	2,00			--
0002	VTRS13946		WASHER D. 8 X24 INX UNI 6593	1,00			--
0003	RTRT43370		CASTER D.100 2V.	1,00			--
0004	LAFN03915		BUSHING NUOVO RUOTINO STRONG	1,00			--
0005	VTVT17349		SCREW TCEI M 8X30	1,00			--
0007	VTVT00659		SCREW TC+ M. 4-15	2,00			--
0008	VTDD01695		NUT M 8 INX	1,00			--
0009	LAFN05854		PLATE SOSTEGNO RIDUTTORE	1,00			--
0010	VTDD15518		NUT M 6 INX	2,00			--
0011	LAFN05899		SUPPORT BRACKET CARTER 1 EXTREME	1,00			--
0012	VTVT15143		SCREW TE 6X16 UNI5739	2,00			--
0013	VTVT00889		SCREW TCEI M. 8-45	1,00			--
0014	LAFN35753		SPACER D. 9.6-12 L=24	1,00			--
0015	VTRS13947		WASHER D. 8 INX UNI 6592	2,00			--
0016	LAFN04039		THICKNESS	1,00			--



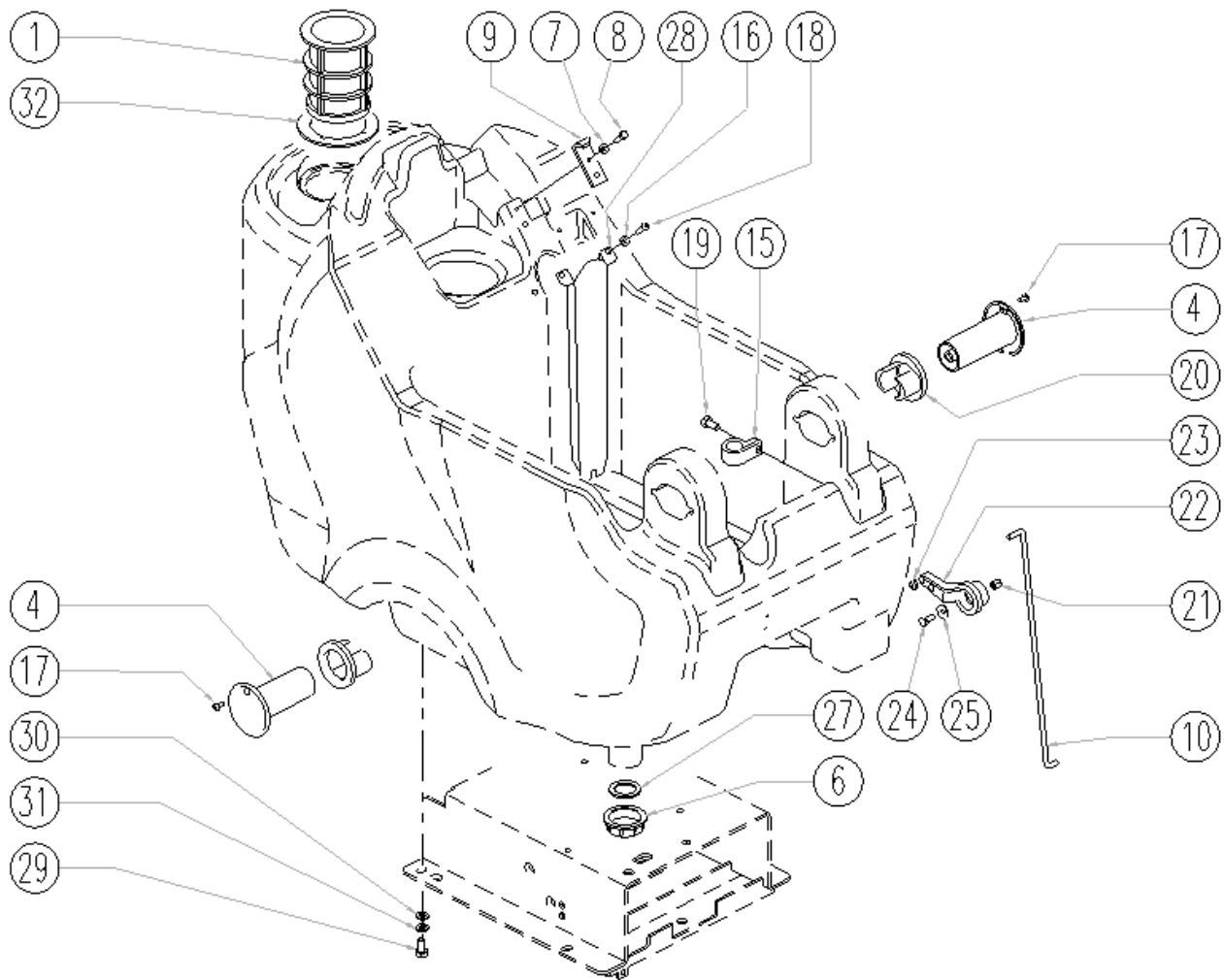
Ref. K	Part N.	Customer Part N.	Description	Qty	Validity:		Price
					From	To	
0001	TBBP00354		TUBE ARMORVIN	1,00			--
0002	FSVR00091		CLAMP 14-24	4,00			--
0003	MLML00002		SPRING PRESTOLA DOPPIA 8P	2,00			--
0004	VTRS00515		WASHER D. 4 INX	2,00			--
0005	MEEV00019		SOLENOID VALVE	1,00			--
0006	VTRS00516		WASHER D. 5 INX	2,00			--
0007	VTVT48694		SCREW TCB TC 5 X12 UNI 9707 TZ	2,00			--
0008	RCVR00536		CONNECTOR PORTAG.	1,00			--
0009	RCGR00065		TAP F/F 1/2"	1,00			--
0010	FTAC00036		FILTER IN RETE	1,00			--
0011	RCDS49622		CONNECTOR OCC 1/2 - 1/2M	1,00			--
0012	GUVR00213		WASHER GOMMA	2,00			--
0013	RCDS00026		SCREW -	1,00			--
0014	LAFN05902		LEVER RUBINETTO	1,00			--
0015	VTRS00251		WASHER 4-16 INOX A2	1,00			--
0016	VTVT00633		SCREW	1,00			--
0017	TBFX49101		TUBE FLEX D.34 CPL.SHK	1,00			--
0018	GUGO00268		GASKET D.21 SP.3 GOMMA	1,00			--
0019	RCVR00353		CAP 1/2"G X ELETTROV. ACL	1,00			--
0022	MECB00917		WIRING PEDALE ACCEL.P160	1,00			--



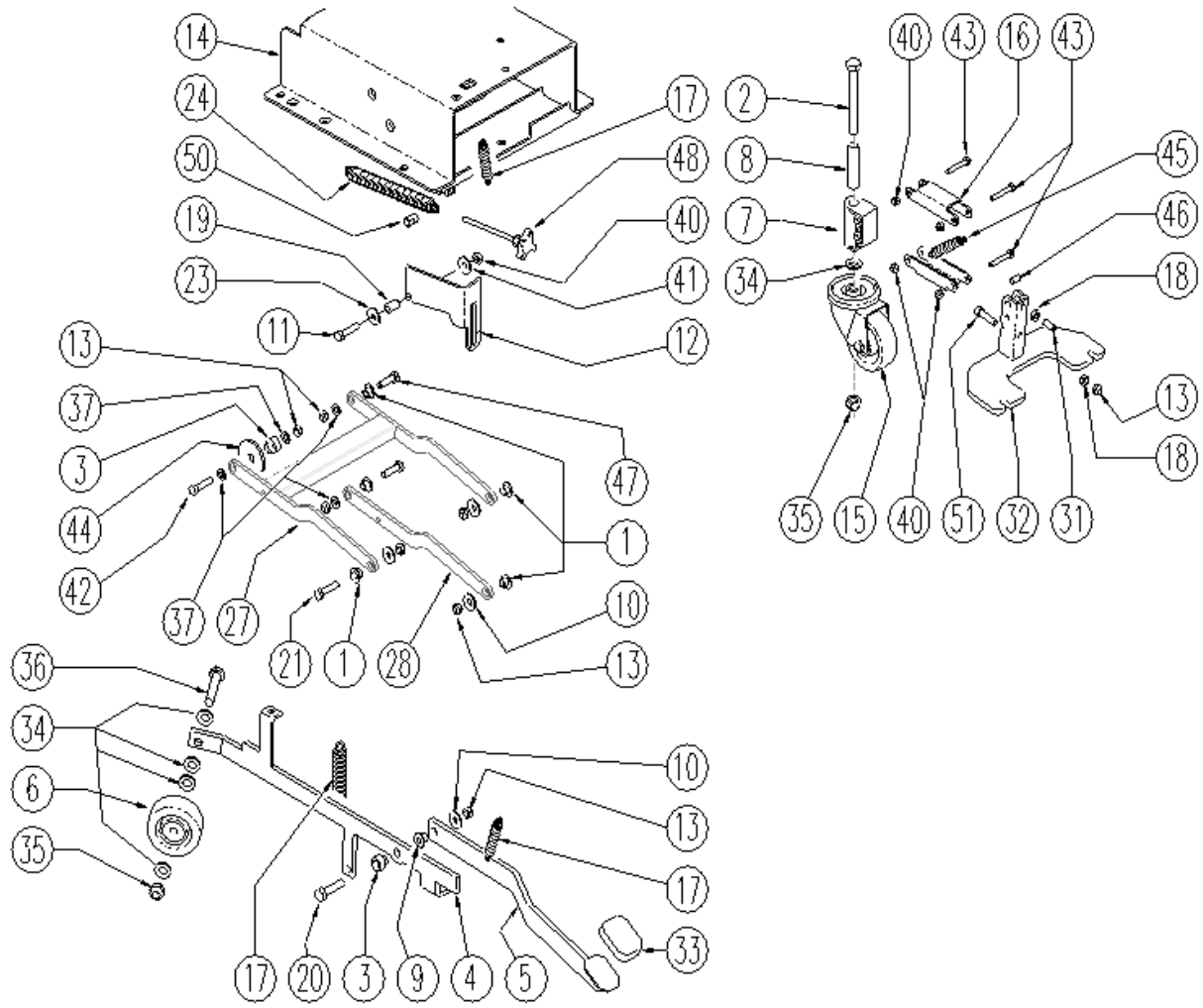
Ref. K	Part N.	Customer Part N.	Description	Qty	Validity:		Price
					From	To	
	CNPR00373		GREASE TIPO MARSON	1,00			--
0000	CNPR00373		GREASE TIPO MARSON	0,01			--
0002	VTVT01315		SCREW AUTOF.TCC M6-16 DIN 7516	4,00			--
0004	CUVR74239		BEARING 6005 X TERSY 45 C	2,00			--
0005	CUVR00131		BEARING 9X24X7	2,00			--
0006	PMVR00872		GEAR 1 RIDUZ.(CAVO)	1,00			--
0008	PMVR00870		ASSEMBLED INGRANAGGIO 2 RIDUZIONE	1,00			--
0008	PMVR00870		ASSEMBLED INGRANAGGIO 2 RIDUZIONE	1,00		11/2005	--
0009	CNPR00371		GASKET	1,00			--
0009	CNPR00387		LUBRICATING OILGRASSO GREASE SLL/00 SE	0,25		05/2006	--
0010	GUGO00277		OIL SEAL 25X35X7	2,00			--
0011	MFVR00137		COVER INFERIORE	1,00			--
0012	MFVR00134		DRIVE DISK SPAZZOLE	1,00			--
0015	MOMO00192		MOTOR	1,00			--
0016	MFVR00135		COVER SUPERIORE RIDUTTORE 450	1,00			--
0017	MTIG00095		PINION MOTORE	1,00			--
0018	VTRS00245		WASHER D.6 UNI 6592 INOX	3,00			--
0019	VTVT00841		SCREW TE M. 6-65	3,00			--
0020	VTVR13165		KEY 5X5X20	1,00			--
0021	VTVT17720		SCREW TCEI M 5X16 INOX	1,00			--
0022	LAFN04102		WASHER DIST.PER RIDUTTORE	1,00			--
0023	VTRS00246		WASHER D. 6	4,00			--
0029	VTVT00841		SCREW TE M. 6-65	3,00			--
0030	VTVT00859		SCREW TCEI M. 6-55 INOX	1,00			--
0031	LAFN04187		SPACER PER RIDUTTORE	3,00			--
0032	VTDD15518		NUT M 6 INX	3,00			--
0070	GUVR00214		GASKET P184 RIDUTTORE	1,00			--
0071	GUVR00215		GASKET P184 MOTORE	1,00			--
0072	VTDD01694		NUT M 6 INX	3,00			--
0073	VTRS13750		WASHER D. 5X14 INX	1,00			--
0074	VTVT15515		SCREW TE M 6X 50 INOX A2	4,00			--
0075	VTRS13945		WASHER D. 6X18 INX UNI 6593	1,00			--



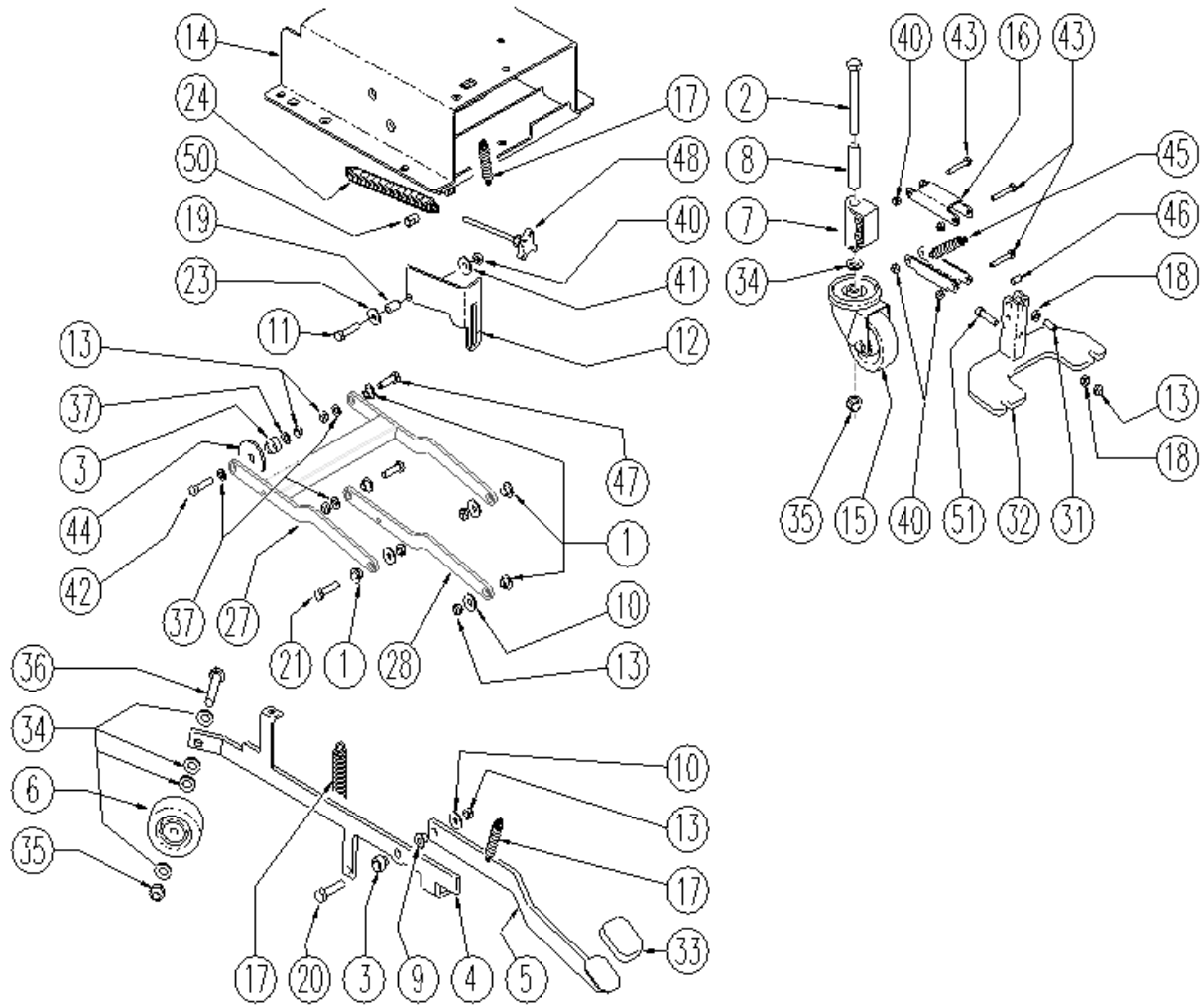
Ref.	K	Part N.	Customer Part N.	Description	Qty	Validity: From To	Price
0001		MPVR04051		TANK CAP	1,00		--
0002		MPVR49942		LEVER SHK PP	1,00		--
0004		TBFX00214		TUBE SCARICO	2,00		--
0005		LAFN05865		PLATE COPRILEVA CONSENSO	1,00		--
0006		LAFN05863		ROD RUBINETTO	1,00		--
0007		MPVR46988		CLIP LAV. SHK	1,00		--
0008		VTVT00651		SCREW TBEI M. 5x16 INOX	4,00		--
0009		VTVT00640		SCREW TBEI M 6-12 INOX	2,00		--
0010		VTVT00787		SCREW TBEI M 6-16	3,00	05/2006	--
0011		GUGO00292		GASKET OR 6162	1,00		--
0013		CMCV00312		CABLE SOLLEVAMENTO SQUEEGEE	1,00		--
0016		VTRS00251		WASHER 4-16 INOX A2	1,00		--
0017		VTVT00800		SCREW TC 4X12 ZN	1,00		--
0018		VTVT21096		SCREW TE M 4X 10 INX	2,00		--
0019		LAFN05870		BRACKET LEVA SOLLEVAM. SQUEEGEE	1,00		--
0020		PMVR02012		GROUP TUBO TUBO INT. P197	1,00		--
0021		VTRS13947		WASHER D. 8 INX UNI 6592	2,00		--
0022		LAFN05861		LEVER CONSENSO SPAZZOLE	1,00		--
0023		VTDD01694		NUT M 6 INX	2,00		--
0024		LAFN05908		ROD COMANDO RUBINETTO	1,00		--
0026		GUGO00263		GASKET CIRCOLARE TAPPO	1,00		--
0027		FTDP00133		FILTER ASPIRAZIONE ALLUNG.	1,00		--
0028		MPVR04146		KNOB IN PVC MOD. 1001 FORO D.6	1,00		--
0030		MPVR05064		CAP COMPLETO	1,00		--
0031		MPVR51086		TUBE INT.SERB.RECUP.	1,00		--
0032		VTVT00814		SCREW TE M.4-25	2,00		--
0033		VTRS00515		WASHER D. 4 INX	2,00		--
0034		VTRS00274		WASHER NYLON 66 D.8,4-17-2 UNI	4,00		--
0035		GUGO00417		GASKET SCATOLA ASPIRAZIONE	1,00		--
0036		FTDP00185		BOX ASPIRAZIONE	1,00		--
0037		VTDD15925		NUT M 4 INX	2,00		--
0038		GUGO00418		GASKET CONDOTTO ASPIRAZIONE	1,00		--
0039		PMVR01129		GROUP tubo tigr.d.50 p185	1,00	05/2006	--
0040		GUGO00245		GASKET	1,00	05/2006	--
0041		RCVR00504		CONNECTOR DRITTO FEMM.	1,00		--
0042		FSVR43136		CLAMP D. 35-40 DF.	1,00		--
0043		MPVR02765		PROTECTION INNESTO FISSAGGIO	1,00		--
0045		MPVR02730		PLATE SIFONE	1,00		--



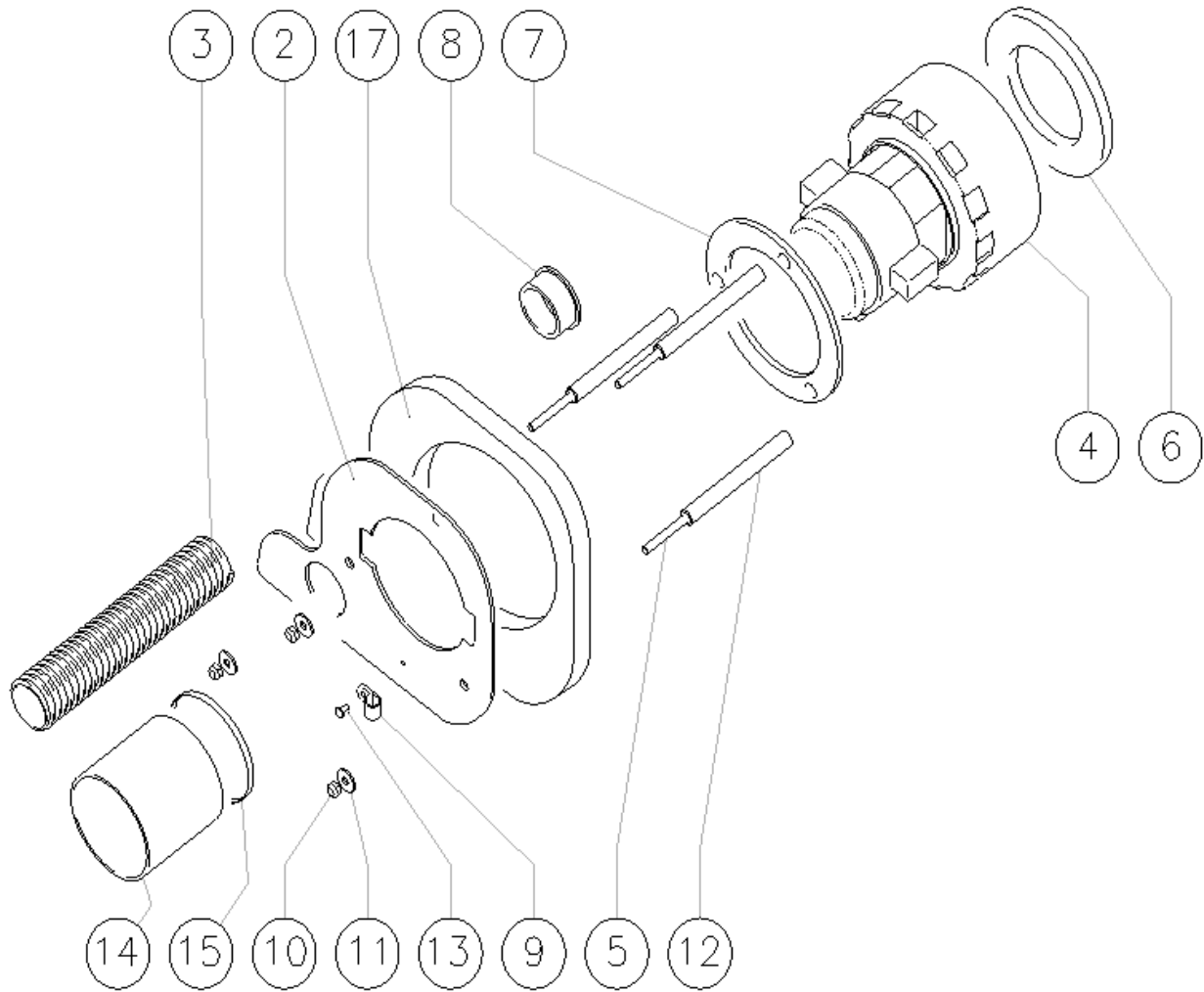
Ref. K	Part N.	Customer Part N.	Description	Qty	Validity:		Price
					From	To	
0001	FTAC48857		FILTER ASP. ACQUA SERB. LAVAP.	1,00			--
0004	MPVR48695		PIN SHK.BK	2,00			--
0006	MPVR04931		CAP SCARICO	1,00			--
0007	VTRS15144		WASHER D. 6 INX GRW UNI 1751	1,00			--
0008	VTVT01303		SCREW TE M6-10 INOX	1,00			--
0010	LAFN05862		ROD RUBINETTO	1,00			--
0015	FSVR00099		CLAMP FERMATUBO	2,00			--
0016	VTRS00515		WASHER D. 4 INX	2,00			--
0017	VTVT00754		SCREW TC+ M. 4-10	2,00			--
0018	VTVT37012		SCREW M 4X 10 TCB-TC INX	2,00			--
0019	VTVT15961		SCREW M 5X 16 TCB TC UNI 7687	1,00			--
0020	PMVR02028		RUBBER GRUPPO MONTAGGIO	2,00			--
0021	VTVR48693		INSERT M6 D.9	1,00			--
0022	MPVR49471		LEVER SHK	1,00			--
0024	VTVT15143		SCREW TE 6X16 UNI5739	1,00			--
0025	VTRS13945		WASHER D. 6X18 INX UNI 6593	1,00			--
0027	GUGO00416		GASKET TAPPO SCARICO SERB.	1,00			--
0028	MPVR51085		FLAP POSTER.TERGI 950 MAGG.	1,00			--
0029	VTVT15916		SCREW TE M 8X 16 UNI 5739 A2	4,00			--
0030	VTRS13947		WASHER D. 8 INX UNI 6592	4,00			--
0031	VTRS00269		WASHER D. 8 DIN 6798-A INX A2	4,00			--
0032	GUGO00267		GASKET FILTRO	1,00			--



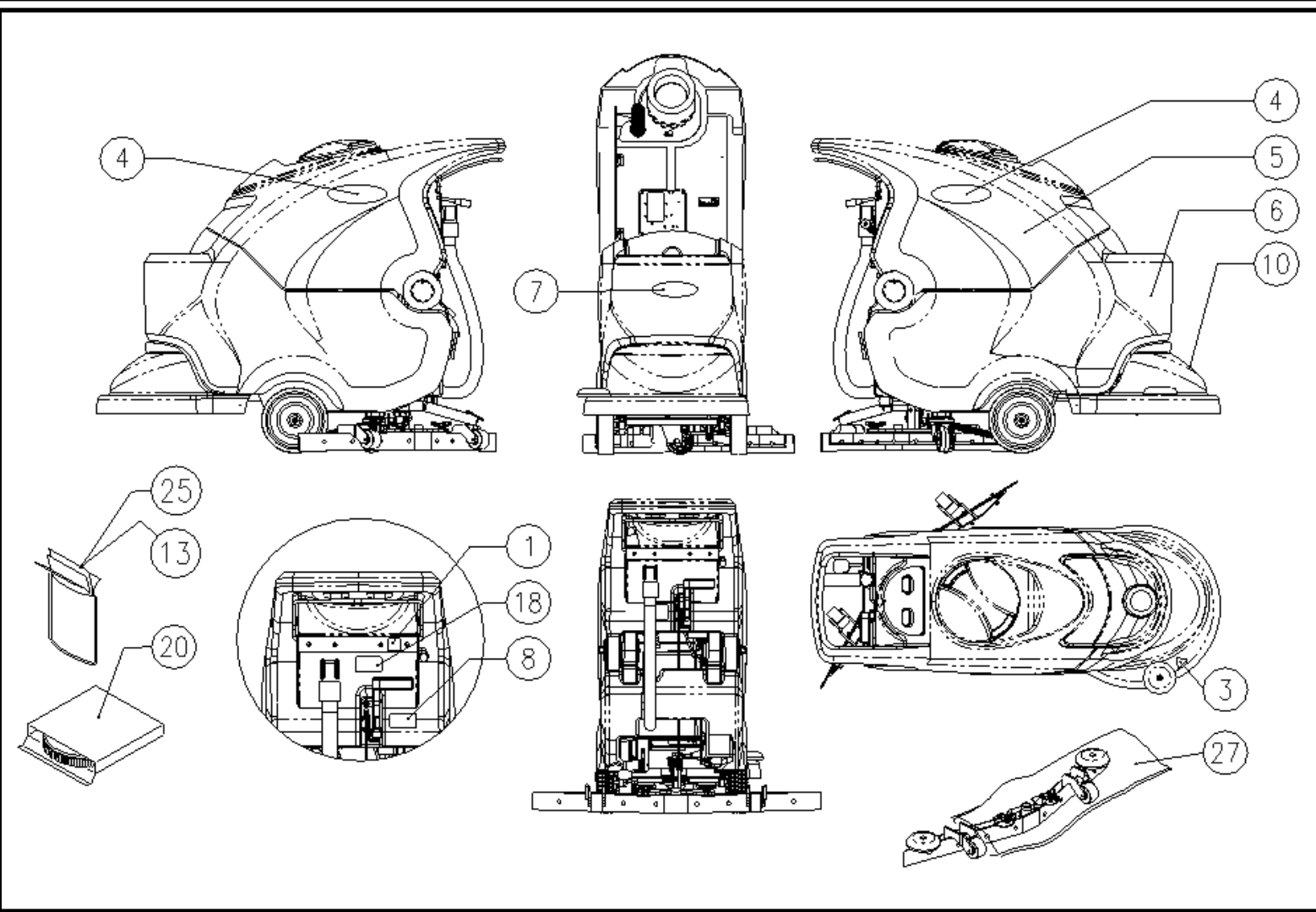
Ref. K	Part N.	Customer Part N.	Description	Qty	Validity:		Price
					From	To	
0001	LAFN06391		BUSHING PARALLELOGRAMMA	5,00			--
0002	VTVT24212		SCREW TE M.12-100 UNI 5737 INOX	1,00			--
0003	LAFN04190		BUSHING PARALLELOGR.TEST.GR.	2,00			--
0004	LAFN06359		LEVER SOLLEVAMENTO	1,00			--
0005	LAFN06399		LEVER SOLLEVAMENTO TESTATA	1,00			--
0006	RTRT49171		CASTER D. 80-12	1,00			--
0007	MPVR04734		BLOCK TERGI	1,00			--
0008	LAFN04188		PIN ROTAZIONE SQUEEGEE	1,00			--
0009	LAFN51068		BUSHING LEVA POSTER.	1,00			--
0010	VTRS13946		WASHER D. 8 X24 INX UNI 6593	4,00			--
0012	LAFN10124		PLATE	1,00			--
0013	VTDD01695		NUT M 8 INX	8,00			--
0014	LAFN06354		BASE SERBATOIO	1,00			--
0015	RTRT00276		SMALL WHEEL GIREVOLE PER SPAZZANTE	1,00			--
0016	LAFN05853		LEVER ARM SOLLEVAMENTO TERGI	2,00			--
0017	MLML34726		SPRING TR E350 N	2,00			--
0018	VTDD15521		NUT M 8 INX A2 UNI 5588	2,00			--
0019	LAFN03840		BUSHING	1,00			--
0020	VTVT15917		SCREW TE M 8X50 INOX A2 UNI	1,00			--
0021	VTVT15907		SCREW TE 8X25 UNI5739 INX	3,00			--
0023	VTRS00274		WASHER NYLON 66 D.8,4-17-2 UNI	1,00			--
0024	MLML31130		SPRING D. 17.5 X110 N38	1,00			--
0026	VTDD15925		NUT M 4 INX	1,00			--
0027	LAFN06388		ARM TESTATA SUPERIORE	1,00			--
0028	LAFN06389		ARM PARALLELOGRAMMA	1,00			--
0031	VTVT00908		GRUB SCREW M.8-25 PIANO	1,00			--
0032	LAFN06355		PLATE SQUEEGEE	1,00			--
0033	MPVR04139		RUBBER PEDALINO	1,00			--
0034	VTRS00312		WASHER D.13 x24 INOX	5,00			--
0035	VTDD00176		NUT M.12 INOX A2 BASSO	2,00			--
0036	VTVT00836		SCREW TE M12-60 INOX	1,00			--
0037	VTRS13947		WASHER D. 8 INX UNI 6592	4,00			--
0040	VTDD01694		NUT M 6 INX	5,00			--
0041	VTRS00245		WASHER D.6 UNI 6592 INOX	1,00			--
0042	VTVT00410		SCREW TE M8x35 UNI5739 INOX	1,00			--
0043	VTVT15145		SCREW TE 6X40 UNI5739 INX	4,00			--
0044	MPVR05134		GASKET D.60 FORO D.12 SP.2	1,00			--
0045	MLML00303		SPRING REGISTRAZIONE FLAP	1,00			--
0046	LAFN03742		SPACER SILENZIATORE	1,00			--



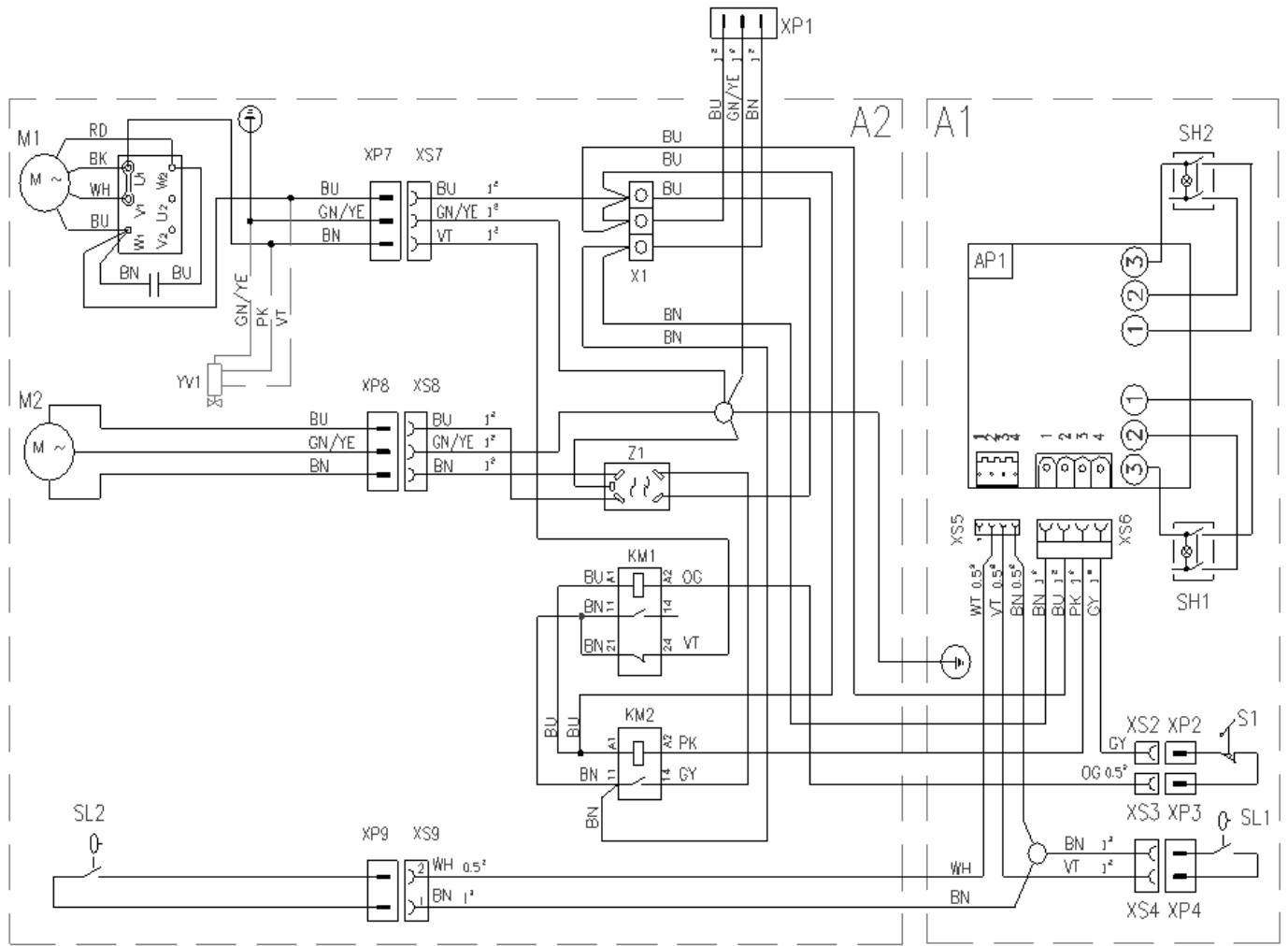
Ref. K	Part N.	Customer Part N.	Description	Qty	Validity:		Price
					From	To	
0047	VTVT13937		SCREW TE M 8X 30 INX UNI 5739	2,00			--
0048	VTVR35749		HANDWHEEL M 6MAX110 D.35	1,00			--
0050	LAFN35747		SPRING SUPPORT LAV. E/B 450	1,00			--
0051	VTVT00822		SCREW TCEI M 8-30	1,00			--



Ref. K	Part N.	Customer Part N.	Description	Qty	Validity:		Price
					From	To	
0002	LAFN06363		FLANGE ASPIRATORE	1,00			--
0003	TBFX00244		TUBE D 34 L200MM	1,00			--
0004	MOMO00214		VACUUM CLEANER TRIS.240V/50HZ MOD.115961	1,00			--
0005	VTVR00198		ROD	3,00			--
0006	GUGO00272		GASKET	1,00			--
0007	MPVR04724		FLANGE IN NYLON	1,00			--
0008	MPVR31077		BUSHING L.450	1,00			--
0009	FSVR00099		CLAMP FERMATUBO	1,00			--
0010	VTDD01694		NUT M 6 INX	3,00			--
0011	VTRS13945		WASHER D. 6X18 INX UNI 6593	3,00			--
0012	LAFN51078		SPACER SH	3,00			--
0013	VTVT00813		SCREW M 4X 8 TCB-TC UNI 8112	1,00			--
0014	TBFX00268		SUCTION HOSE D80 L=80MM	1,00			--
0015	FSVR00500		CLAMP 80-100 INOX	1,00			--
0017	MPVR05103		SOUND-PROOFING ASPIRATORE	1,00			--



Ref. K	Part N.	Customer Part N.	Description	Qty	Validity:		Price
					From	To	
0003	ETET01014		ADHESIVE ATTENZ.ABRAS.ARTI	1,00			--
0004	ETET01364		LABEL LATERALE	2,00			--
0007	ETET02000		LABEL LOGO IPC	1,00			--
0008	ETET01407		PLATE APERTURA SERBATOIO	1,00			--
0010	MPVR04722		ROLLER	1,00			--
0013	PLDC01423		MANUAL	1,00			--
0018	ETET00704		ADHESIVE SCOLLEGAMENTO SPINA	1,00			--
0020	SPPV43964		BRUSH NYL 0.8 530	1,00			--
0025	PLDC01675		MANUAL RIC. CLT40	1,00			--
0027	MIVR00048		TUBE UNIBOL	1,00			--



Ref. K	Part N.	Customer Part N.	Description	Qty	Validity:		Price
					From	To	
AP1	MECE00397		GEARCASE/BOARD CT40 C 230V	1,00			--
KM1	MERL00005		SWITCH RELAY finder 230v-50hz	1,00			--
M1	MOMO00192		MOTOR	1,00			--
M2	MOMO00214		VACUUM CLEANER TRIS.240V/50HZ MOD.115961	1,00			--
S1	MECI36393		MICROSWITCH TRZ. DRW	1,00			--
SH1	MECI00383		SWITCH TTR/L BIP. 230V	1,00			--
SH2	MECI00383		SWITCH TTR/L BIP. 230V	1,00			--
SL1	MECI00338		SENSOR DI LIVELLO ORIZZONTALE	1,00			--
SL2	MECI00383		SWITCH TTR/L BIP. 230V	1,00			--
XP1	MECB00945		CABLE ALIMENTAZ. 3X1.5 L=650	1,00			--
XP2	MEVR01157		CONNECTOR COPRI FASTON MASCHIO	1,00			--
XP3	MEVR01157		CONNECTOR COPRI FASTON MASCHIO	1,00			--
XP4	MEVR01139		CONNECTOR 2 POS. M.	1,00			--
XP7	MEVR01313		CONNECTOR SPINA 3 P.RIF.93	1,00			--
XP8	MEVR01313		CONNECTOR SPINA 3 P.RIF.93	1,00			--
XP9	MEVR01283		CONNECTOR STAGNO CPL 2M	1,00			--
XS2	MEVR01156		FASTON COVER FEMMINA	1,00			--
XS3	MEVR01156		FASTON COVER FEMMINA	1,00			--
XS4	MEVR01140		CONNECTOR 2 POS. F.	1,00			--
XS5	MECI00276		CONNECTOR 1 QUATTRO VIE	1,00			--
XS6	MEVR01535		CONNECTOR SAURO COF 4 P	1,00			--
XS7	MEVR01312		CONNECTOR PRESA 3 P.	1,00			--
XS8	MEVR01312		CONNECTOR PRESA 3 P.	1,00			--
XS9	MEVR01284		CONNECTOR STAGNO CPL 2F	1,00			--
Y1	MEEV00019		SOLENOID VALVE	1,00			--
Z1	MECE31132		FILTER LC LAVAM. FL.	1,00			--