



IPC Integrated Professional Cleaning

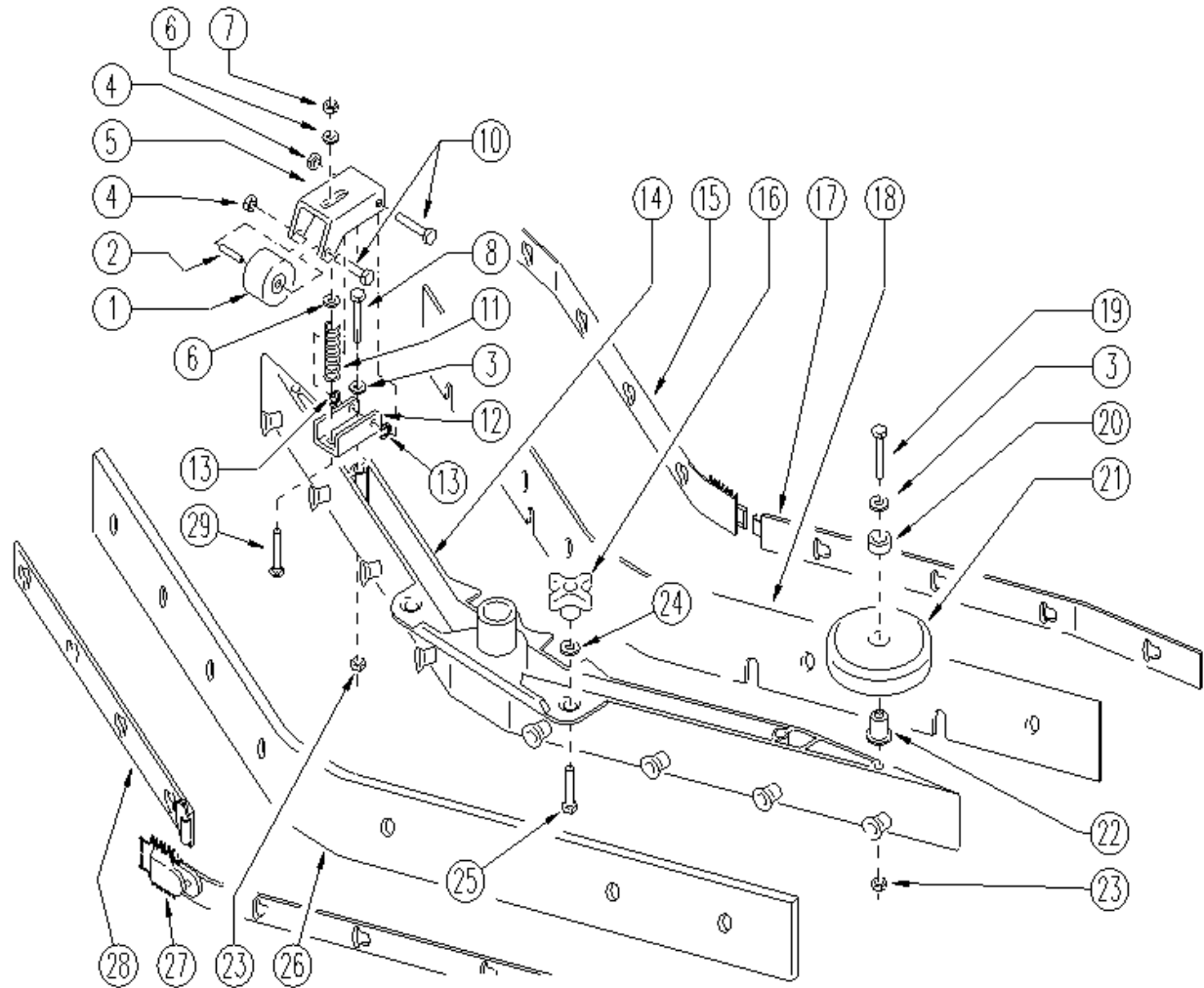
IPCGansow

Spare Parts List

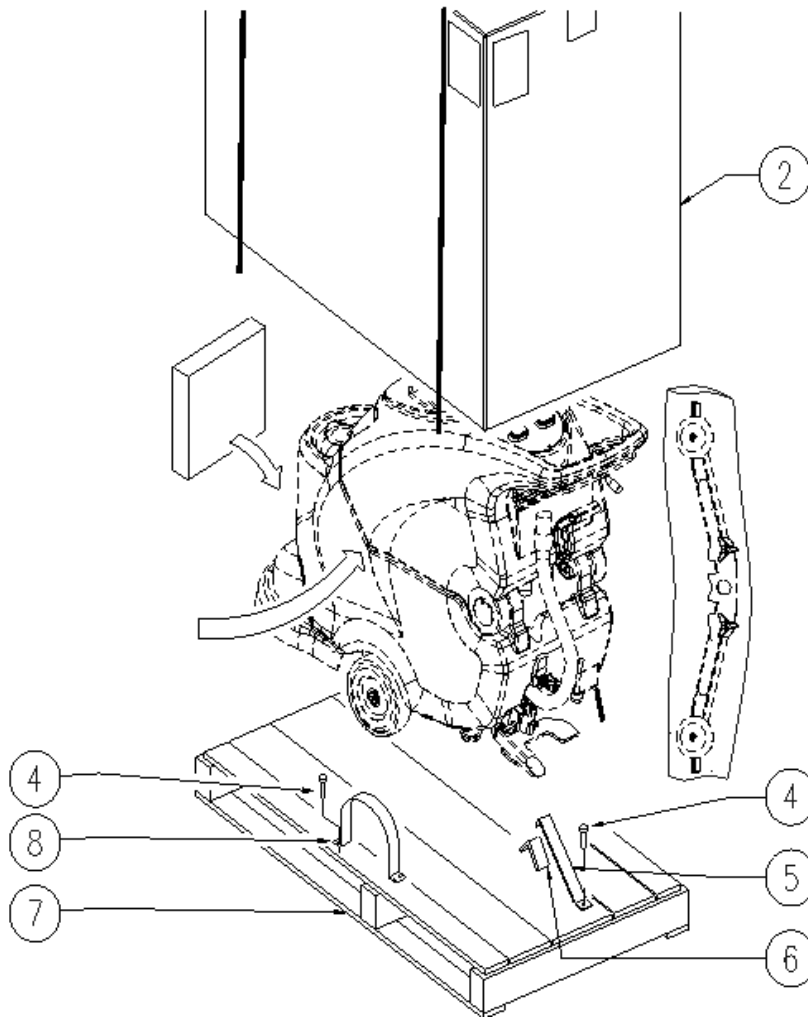
TAVERNARO AG

Ref: LPTB02130

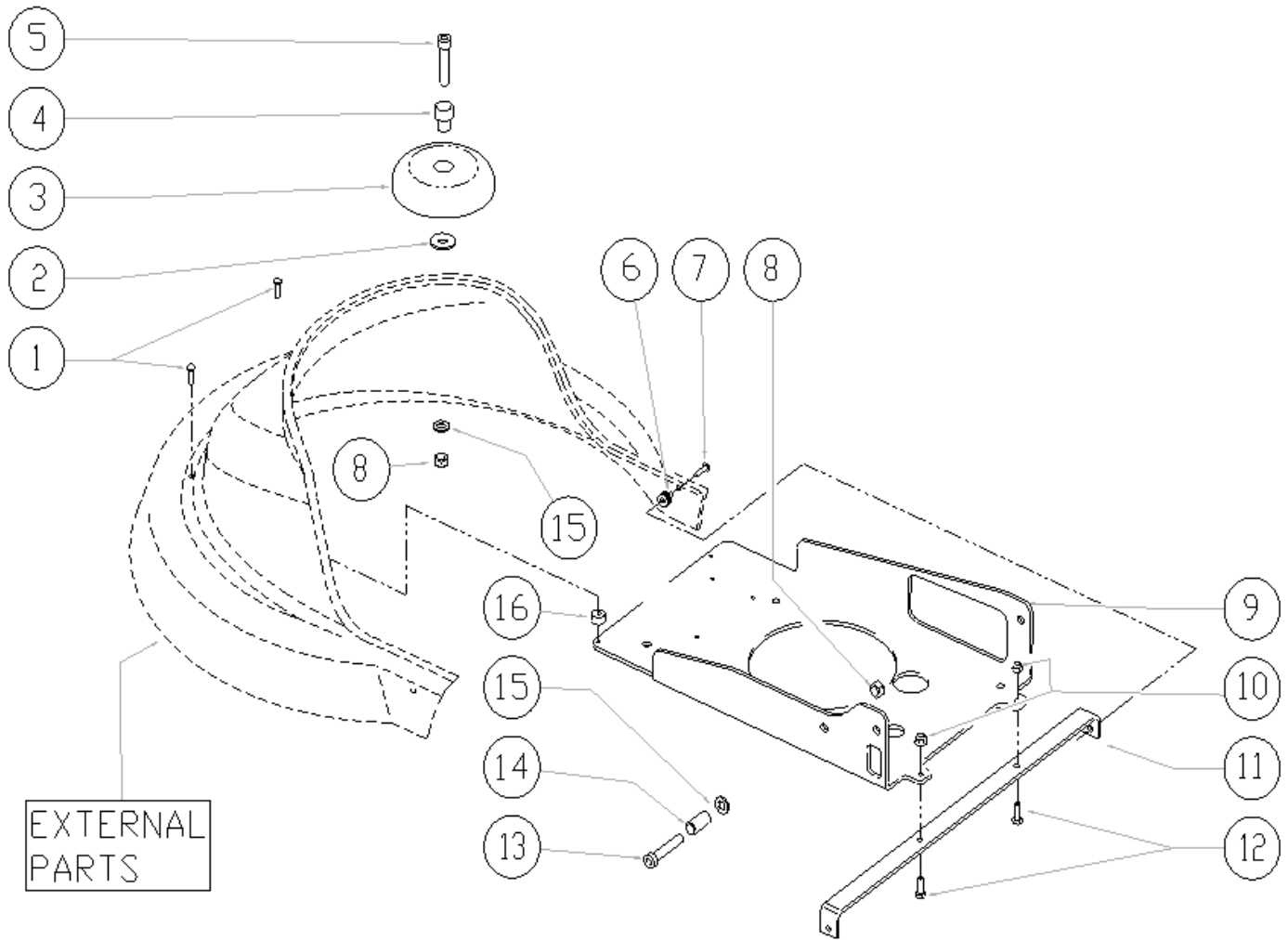
Model: CLEANTIME 40 BT 55



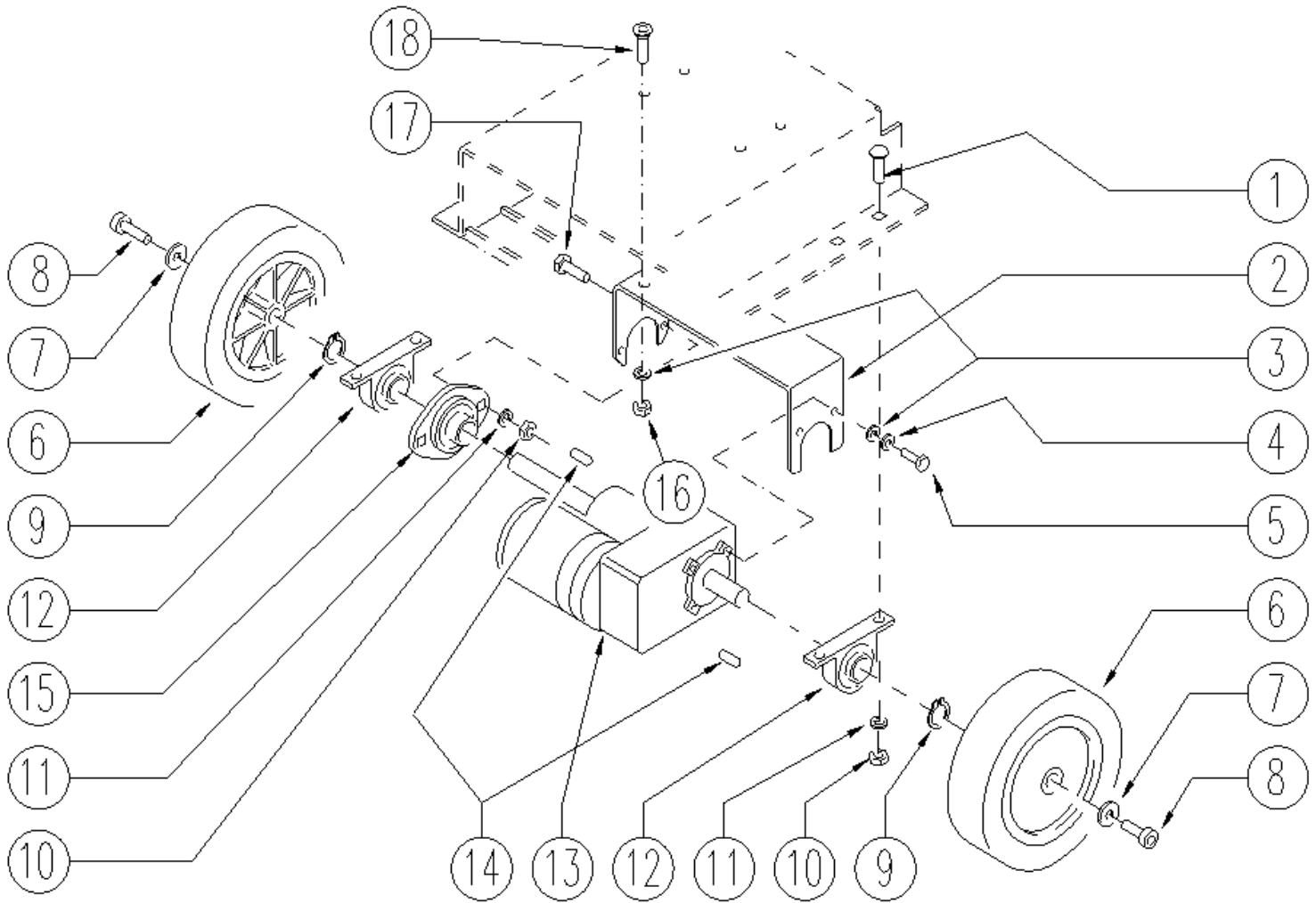
Ref. K	Part N.	Customer Part N.	Description	Qty	Validity:		Price
					From	To	
0001	RTRT49413		WHEEL D. 60-D.15 X36 NYL.	2,00	03/2004		--
0002	LAFN04041		SPACER D6/15	2,00	03/2004		--
0003	VTRS00245		WASHER D.6 UNI 6592 INOX	12,00	03/2004	05/2006	--
0003	VTRS15144		WASHER D. 6 INX GRW UNI 1751	4,00	05/2006		--
0004	VTDD01694		NUT M 6 INX	6,00	03/2004		--
0005	LAFN05559		SUPPORT RUOTINO	2,00	03/2004		--
0006	VTRS13947		WASHER D. 8 INX UNI 6592	4,00	03/2004		--
0007	VTDD01695		NUT M 8 INX	2,00	03/2004		--
0008	VTVT15142		SCREW TE M 6x45 INOX	2,00	03/2004		--
0009	VTRS15144		WASHER D. 6 INX GRW UNI 1751	4,00	03/2004	05/2006	--
0010	VTVT15143		SCREW TE 6X16 UNI5739	4,00	03/2004	05/2006	--
0010	VTVT15515		SCREW TE M 6X 50 INOX A2	4,00	05/2006		--
0011	MLML49422		SPRING D.15X 45 X1	2,00			--
0012	LAFN51069		BRACKET SUPP.RUOTINO SQUEEGEE	2,00			--
0013	VTAE45707		CIRCLIP D. 6 UNI 7434 INOX	4,00			--
0014	MFVR00141		BODY SQUEEGEE PRESSOFUSO	1,00	03/2004		--
0015	LAFN51045		LAMINATION BLOCCA LAMA ANTER.SX S	1,00	03/2004		--
0016	MPVR04164		HANDWHEEL M8 FILETTO PASSANTE	2,00	03/2004		--
0017	LAFN51044		LAMINATION BLOCCA LAMA ANTER.DX S	1,00	03/2004		--
0018	MPVR45194		RUBBER BLADE LAV. 800 ANT.	1,00	03/2004		--
0019	VTVT00655		SCREW TE M. 6-55	2,00			--
0020	MPVR49229		BUSHING SHK	2,00	03/2004		--
0021	RTRT43370		CASTER D.100 2V.	2,00	03/2004		--
0022	LAFN04100		SPACER PER RUOTINO PARACOLPI	2,00	03/2004		--
0023	VTDD15520		NUT M 6 A2 UNI 5588 INX	4,00	03/2004		--
0024	VTAE00074		CIRCLIP D8	2,00	03/2004		--
0025	VTVT01050		SCREW TE M 8X30 INX UNI 5737	2,00	06/2004		--
0026	MPVR45195		RUBBER BLADE LAV. 800 PST.POL.	1,00	03/2004		--
0027	LAFN49284		BLADE HOLDER POSTERIORE DX (S)	1,00	03/2004		--
0028	LAFN49285		BLADE HOLDER POSTERIORE SX (S)	1,00	03/2004		--
0029	VTVT01304		SCREW M 8X 40 TTQST UNI 5731	2,00	05/2006		--



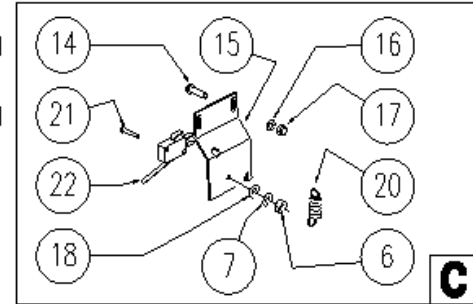
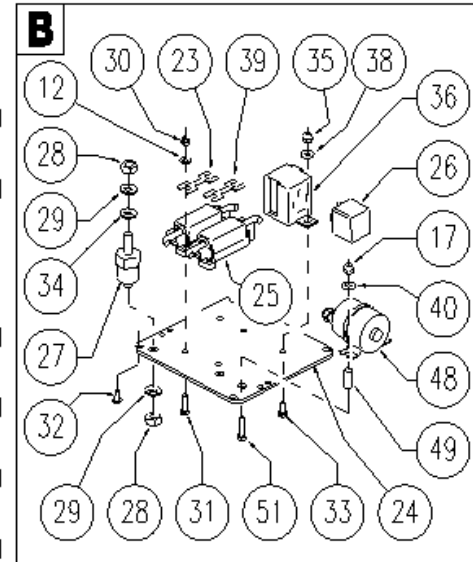
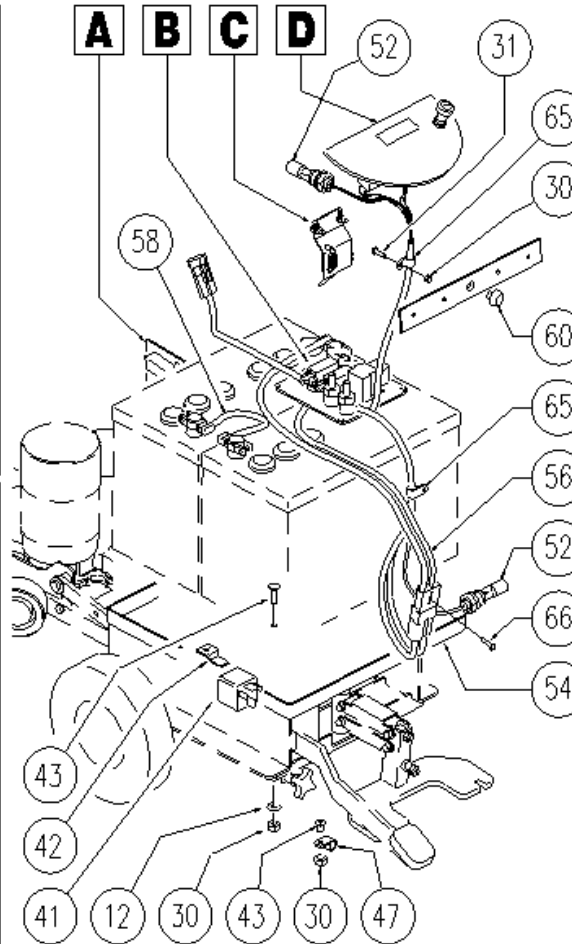
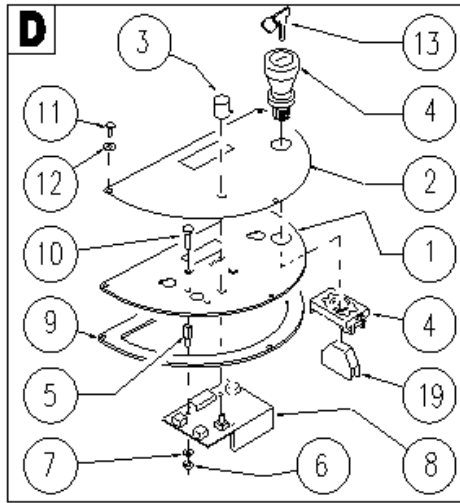
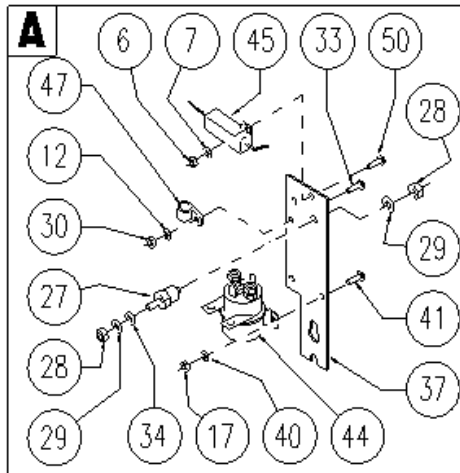
Ref. K	Part N.	Customer Part N.	Description	Qty	Validity:		Price
					From	To	
0002	MICT00147		CARTON IMBALLO RULLI	1,00			--
0004	VTVT00043		SCREW AUTOF.LEGNO 4,5X25 TS BR	9,00			--
0005	MIVR00137		CLAMP RUOTA POSTERIORE X IMBAL.	1,00			--
0007	MIBA00077		PALLET RULLI	1,00			--
0008	MIVR00135		CLAMP RUOTA POSTERIORE X IMBAL.	2,00			--



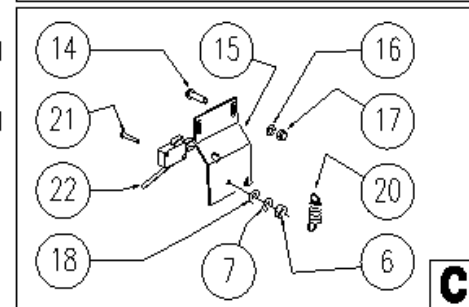
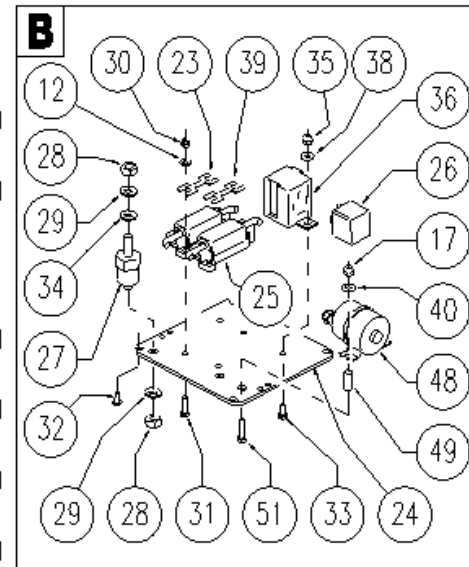
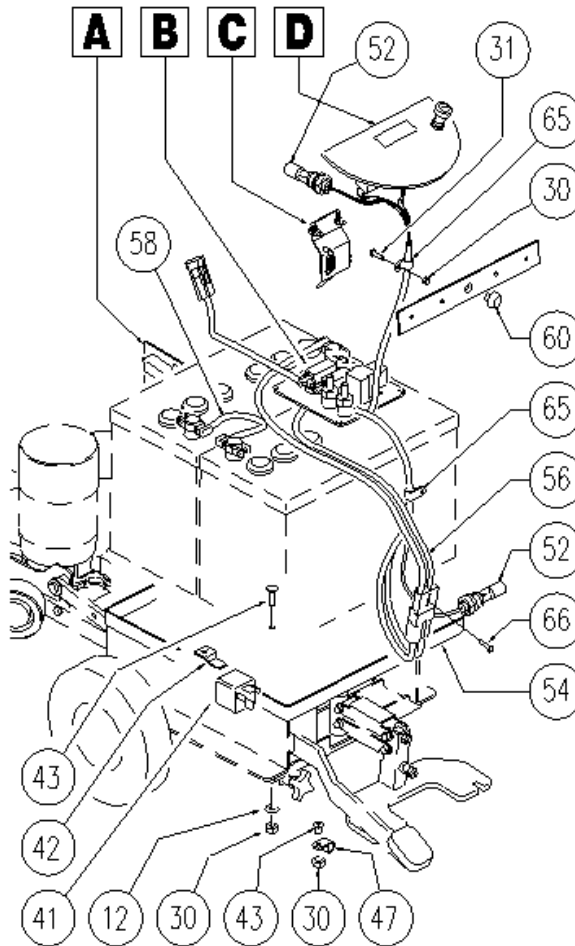
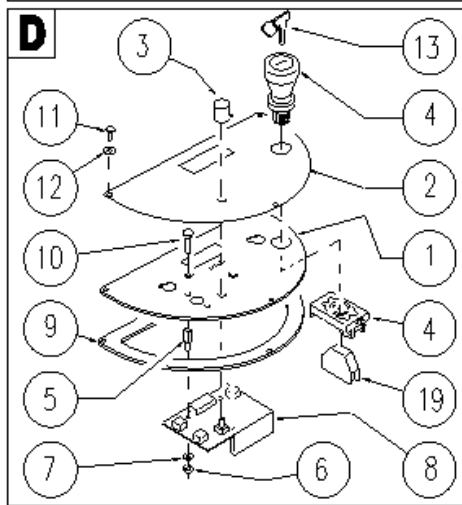
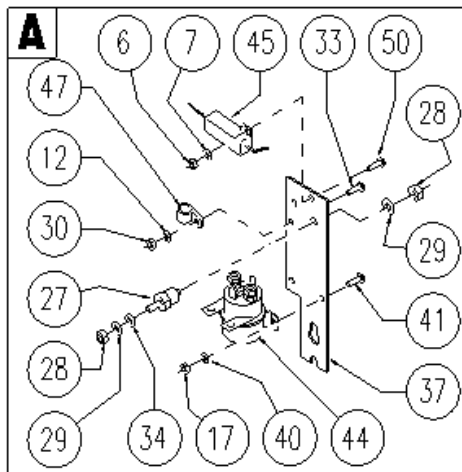
Ref. K	Part N.	Customer Part N.	Description	Qty	Validity:		Price
					From	To	
0001	VTVT01004		SCREW TC+ M4 X 10 TRILOBATA	2,00			--
0002	VTRS13946		WASHER D. 8 X24 INX UNI 6593	1,00			--
0003	RTRT43370		CASTER D.100 2V.	1,00			--
0004	LAFN03915		BUSHING NUOVO RUOTINO STRONG	1,00			--
0005	VTVT17349		SCREW TCEI M 8X30	1,00			--
0007	VTVT00659		SCREW TC+ M. 4-15	2,00			--
0008	VTDD01695		NUT M 8 INX	1,00			--
0009	LAFN05854		PLATE SOSTEGNO RIDUTTORE	1,00			--
0010	VTDD15518		NUT M 6 INX	2,00			--
0011	LAFN05899		SUPPORT BRACKET CARTER 1 EXTREME	1,00			--
0012	VTVT15143		SCREW TE 6X16 UNI5739	2,00			--
0013	VTVT00889		SCREW TCEI M. 8-45	1,00			--
0014	LAFN35753		SPACER D. 9.6-12 L=24	1,00			--
0015	VTRS13947		WASHER D. 8 INX UNI 6592	2,00			--
0016	LAFN04039		THICKNESS	1,00			--



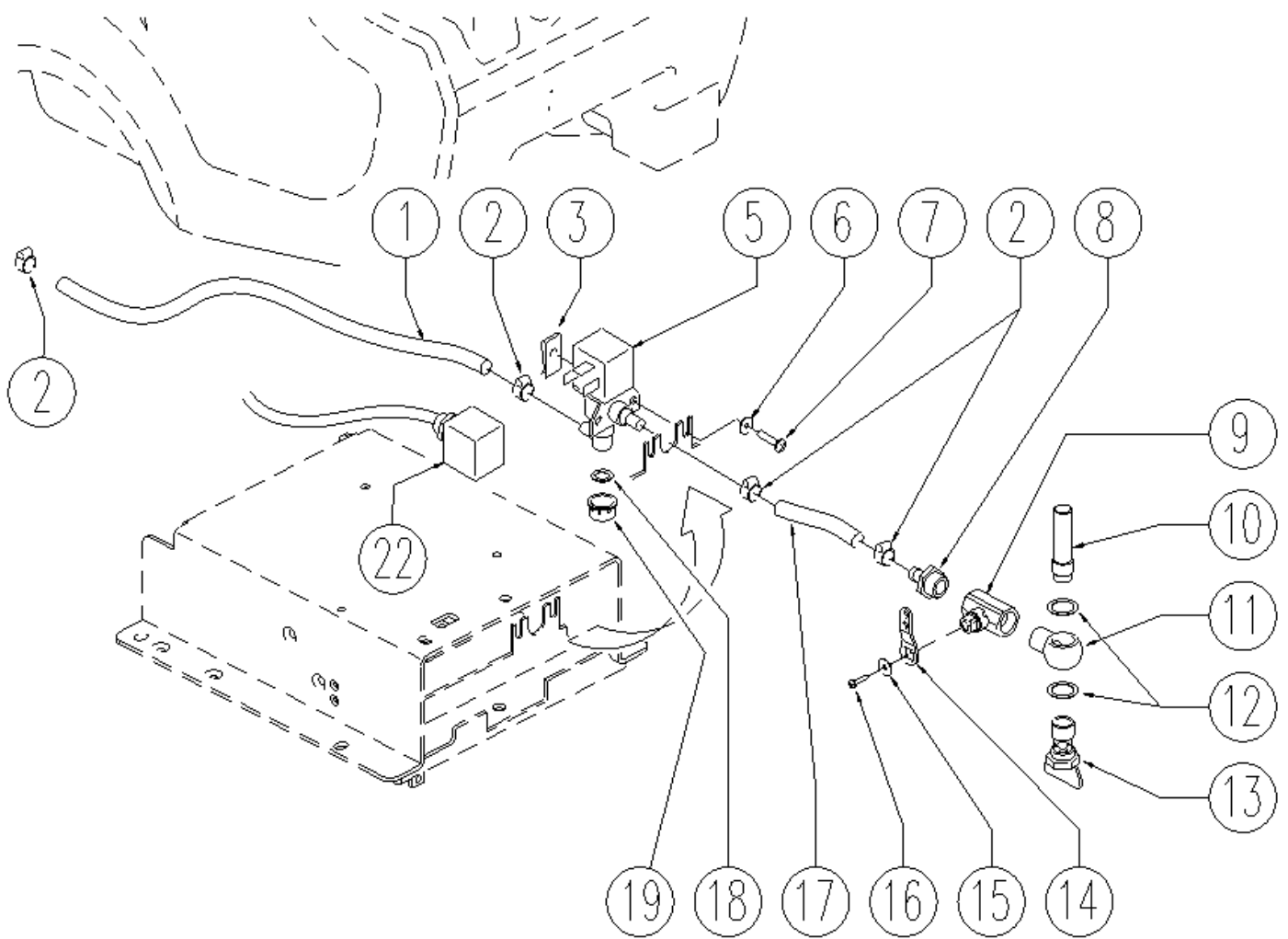
Ref.	K	Part N.	Customer Part N.	Description	Qty	Validity: From To	Price
0001		VTVT00842		SCREW	4,00	--	--
0002		LAFN06291		SUPPORT MORIDUTTORE CT40	1,00	--	--
0003		VTRS00245		WASHER D.6 UNI 6592 INOX	6,00	--	--
0004		VTRS15144		WASHER D. 6 INX GRW UNI 1751	2,00	--	--
0005		VTVT13939		SCREW TE 6X20 UNI5739 INX	2,00	--	--
0006		RTRT00503		WHEEL PNEUMATICA D 267	2,00	--	--
0007		VTRS13946		WASHER D. 8 X24 INX UNI 6593	2,00	--	--
0008		VTVT00666		SCREW TBEI M. 8-10 INOX	2,00	--	--
0009		VTAE00050		RING D'ARRESTO ALBERO	2,00	--	--
0010		VTDD01695		NUT M 8 INX	6,00	--	--
0011		VTRS13947		WASHER D. 8 INX UNI 6592	6,00	--	--
0012		CUVR00169		BEARING FLANGIA P47	2,00	--	--
0013		MOCC00284		MOTOR.GEARBOX "AMER" CT40	1,00	--	--
0014		VTVR33668		KEY 6x 6x40 UNI 6604A	2,00	--	--
0015		CUVR00105		SUPPORT	1,00	--	--
0016		VTDD01694		NUT M 6 INX	4,00	--	--
0017		VTVT15907		SCREW TE 8X25 UNI5739 INX	2,00	--	--
0018		VTVT13940		SCREW M 6X 20 TSPEI UNI 5933	4,00	--	--



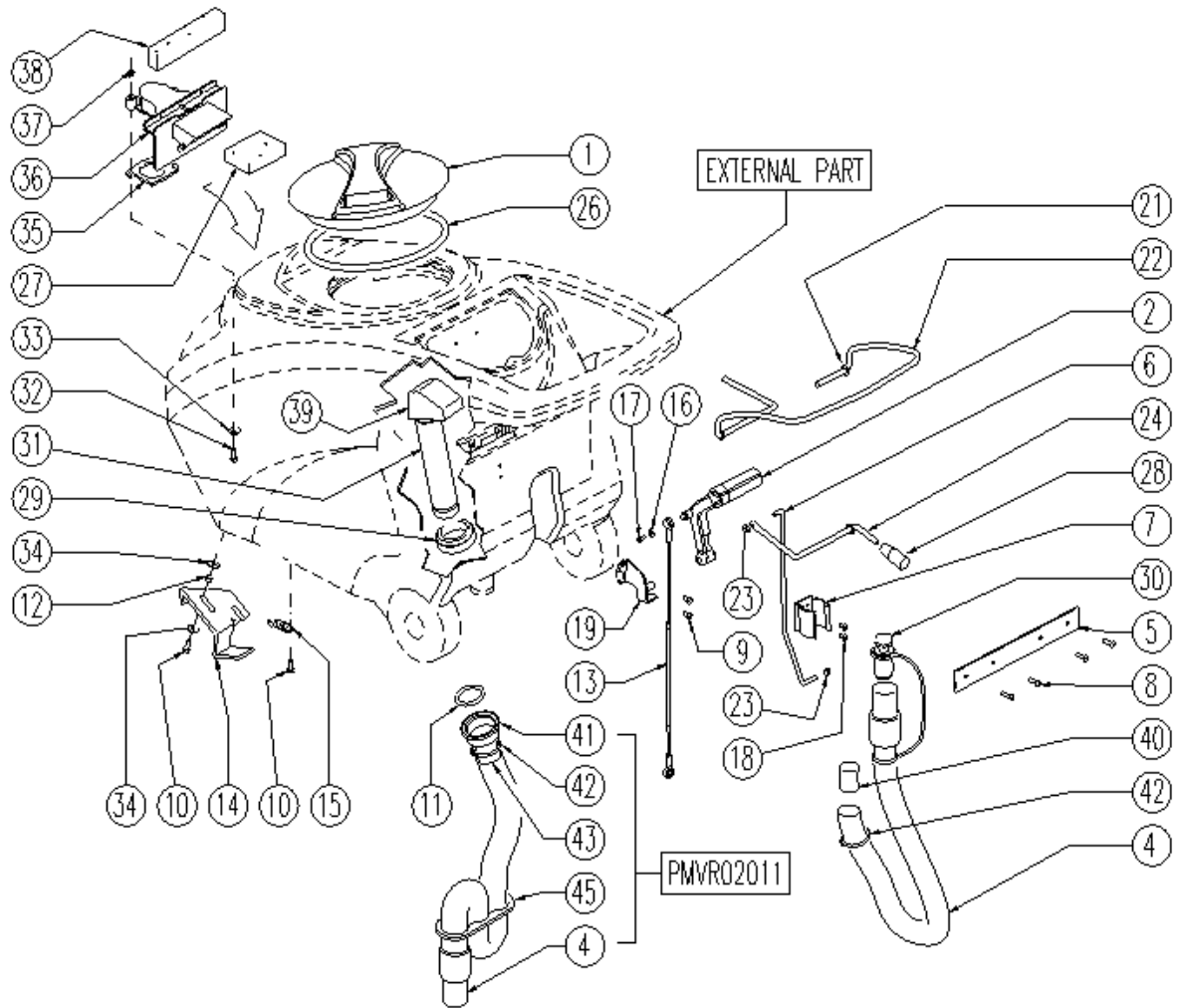
Ref.	K	Part N.	Customer Part N.	Description	Qty	Validity:		Price
						From	To	
0001		LAFN06288		SUPPORT PLANCIA COMANDI	1,00			--
0002		ETET01415		LABEL PLANCIA COMANDI	1,00			--
0003		MEVR01666		PLUG FT 80	1,00			--
0004		MECI00323		BUTTON FUNGO	1,00			--
0005		LAFN04047		SPACER X SCHEDE M3 15x8x8	3,00			--
0006		VTDD21115		NUT M 3 INOX	7,00			--
0007		VTRS00268		WASHER D.3	7,00			--
0008		MECE00398		BOARD EXTREME 24V	1,00			--
0009		GUGO38417		GASKET PANN.COM.EXTREME	1,00			--
0010		VTVT00865		SCREW TSP-TC M 3X 6 UNI7688 INX	3,00			--
0011		VTVT37012		SCREW M 4X 10 TCB-TC INX	3,00			--
0012		VTRS00515		WASHER D. 4 INX	8,00			--
0013		CHVR00051		DIASASS.SPANNERPULSANTE FUNGO	1,00			--
0014		VTVT00651		SCREW TBEI M. 5x16 INOX	2,00			--
0015		LAFN05904		PLATE MICRO LEVA	1,00			--
0016		VTRS00516		WASHER D. 5 INX	2,00			--
0017		VTDD01693		NUT M 5 INX	6,00			--
0018		VTRS21116		WASHER D. 3 INX	2,00			--
0019		MECI00403		CONTACT -	1,00			--
0020		MLML34726		SPRING TR E350 N	1,00			--
0021		VTVT01316		SCREW TC+ M3-16	2,00			--
0022		MECI36393		MICROSWITCH TRZ. DRW	1,00			--
0023		MEVR02887		FUSE 40A NST.	1,00			--
0024		LAFN05903		PLATE X CABLAGGIO CLT 40 BATT	1,00			--
0025		MEVR01332		FUSE-HOLDER	2,00			--
0026		MECE00139		RELAY POTENZA 24V	1,00			--
0027		MEVR01116		SUPPORT FUSIBILE 120 A	3,00			--
0028		VTDD15521		NUT M 8 INX A2 UNI 5588	6,00			--
0029		VTRS01080		WASHER D. 8 GRW	6,00			--
0030		VTDD15925		NUT M 4 INX	6,00			--
0031		VTVT00704		SCREW TE M 4X 16 UNI5739 INOX	6,00			--
0032		VTVT01580		SCREW TC M5X10 UNI7687 INOX	4,00			--
0033		VTVT21096		SCREW TE M 4X 10 INX	2,00			--
0034		VTRS13947		WASHER D. 8 INX UNI 6592	3,00			--
0035		VTDD00147		NUT M 4 INX U.5588	1,00			--
0036		METT00053		BLOCK PORTA RELE'	1,00			--
0037		LAFN51089		PLATE ELETTRICA CLT40	1,00			--
0038		VTRS13750		WASHER D. 5X14 INX	1,00			--
0039		MEVR42990		FUSE 60A NST.	1,00			--



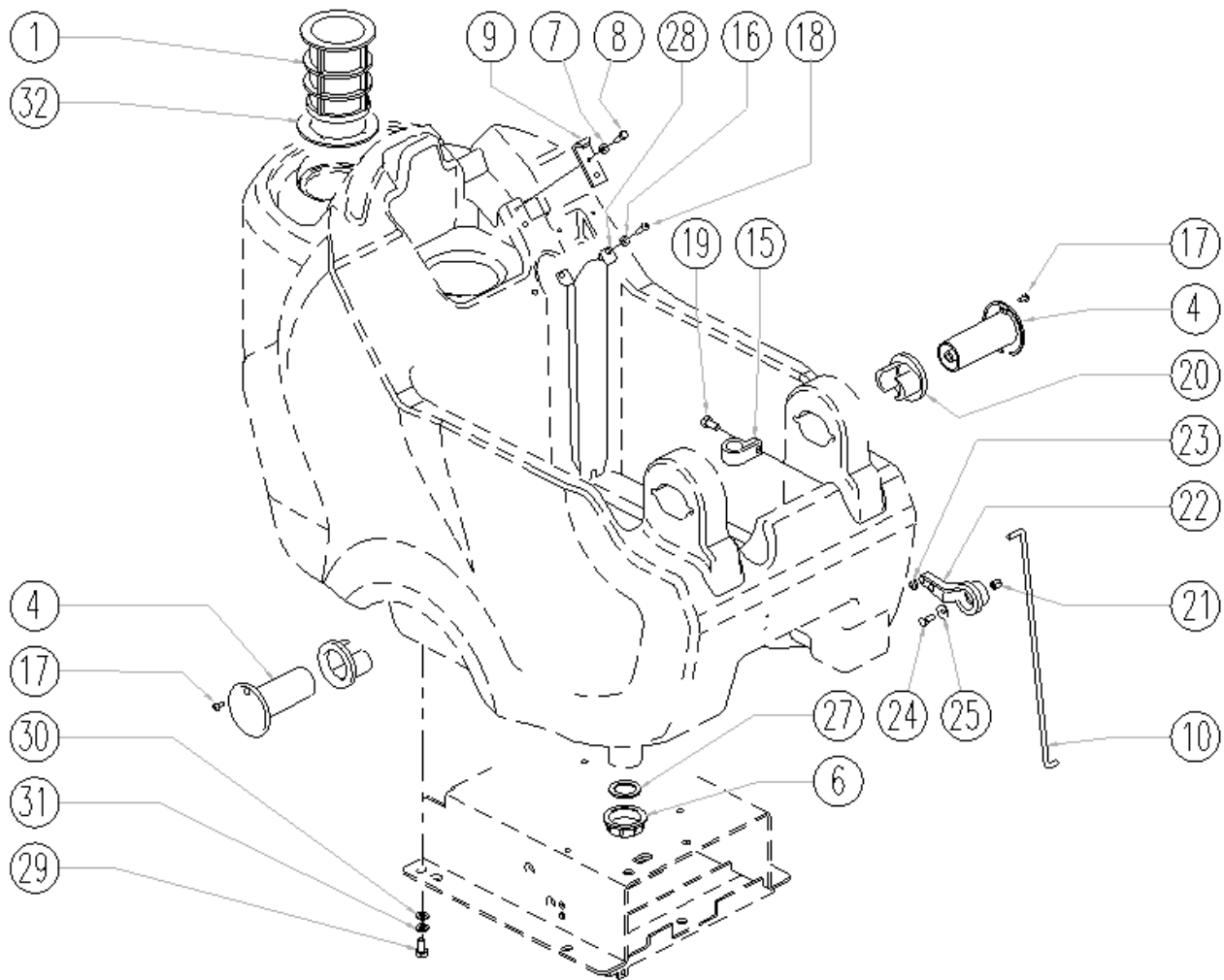
Ref. K	Part N.	Customer Part N.	Description	Qty	Validity:		Price
					From	To	
0040	VTRS15958		WASHER D. 5 X15 UNI 6593	4,00			--
0041	MECI00005		RELAY 24V 10/20A	1,00			--
0042	LAFN06822		RING NUT M20X1 ABL	1,00			--
0043	VTVT16939		SCREW M 4X 16 TSPEI UNI 5933	2,00			--
0044	METT00056		CONTACTOR T-106	1,00			--
0045	MECB00930		WIRING RESISTENZA 50 W	1,00			--
0047	MPVR02933		DUCT LOCK D.9,5	3,00			--
0048	METT30650		CONTACTOR 24 V	1,00			--
0049	LAFN31098		SPACER S. BLOCC B 450	2,00			--
0050	VTVT00722		SCREW	2,00			--
0051	VTVT00399		SCREW TE M5x30 UNI 5739	2,00			--
0052	MECI00338		SENSOR DI LIVELLO ORIZZONTALE	2,00			--
0054	LAFN35588		BATTERY SUPPORTLAV. BT	1,00			--
0056	MECB00966		WIRING CT40 TRAZIONATA	1,00			--
0058	MEVR34820		WIRING B 450 BT	1,00			--
0060	MPVR00043		CAP CHIUS.FORO PORTAFUS.L 15	1,00			--
0065	FSVR00099		CLAMP FERMATUBO	2,00			--
0066	VTVT00633		SCREW	2,00			--



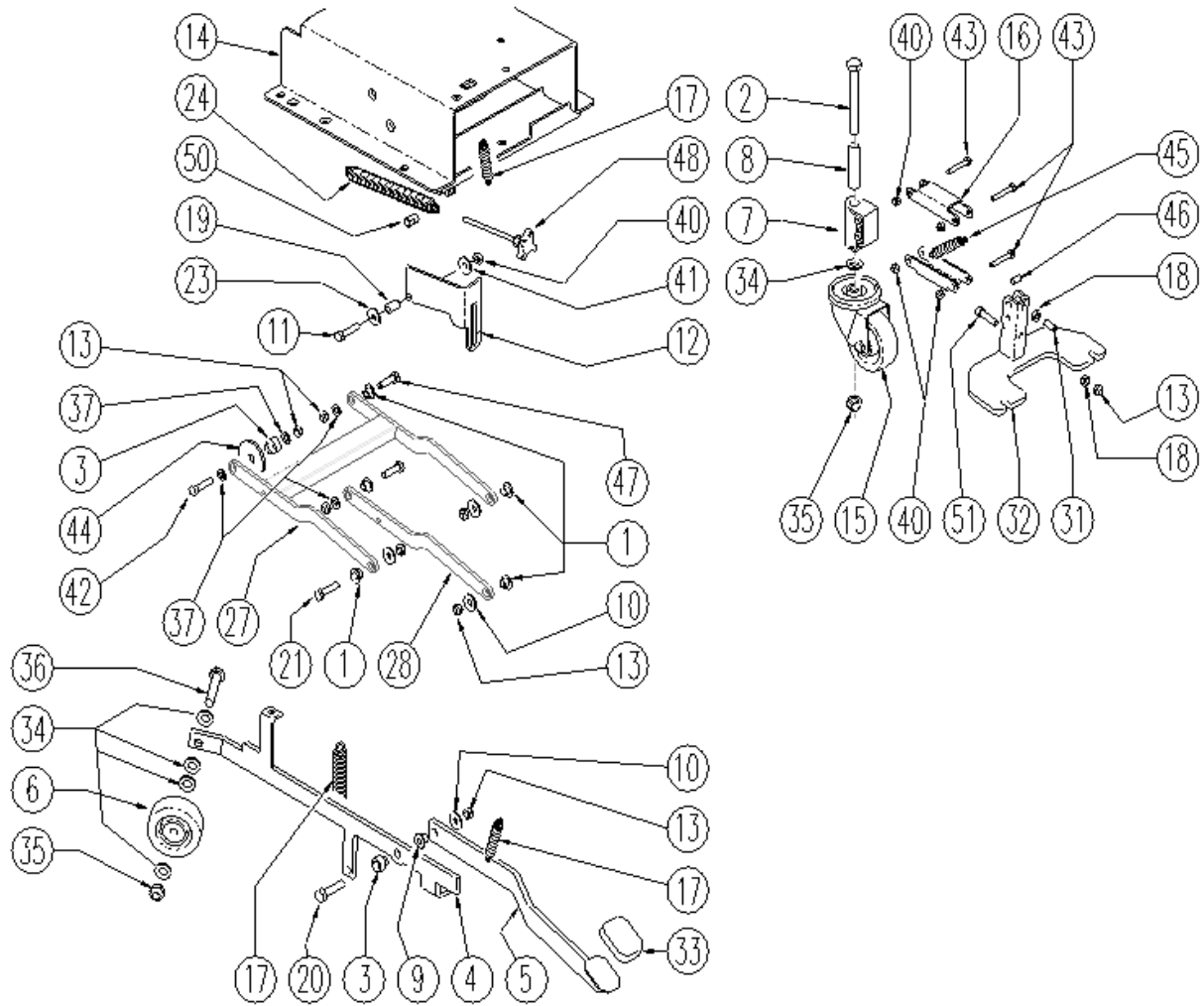
Ref. K	Part N.	Customer Part N.	Description	Qty	Validity:		Price
					From	To	
0002	FSVR00091		CLAMP 14-24	4,00			--
0003	MLML00002		SPRING PRESTOLA DOPPIA 8P	2,00			--
0004	VTRS00515		WASHER D. 4 INX	2,00			--
0005	MEEV00018		SOLENOID VALVE	1,00			--
0006	VTRS00516		WASHER D. 5 INX	2,00			--
0007	VTVT48694		SCREW TCB TC 5 X12 UNI 9707 TZ	2,00			--
0008	RCVR00536		CONNECTOR PORTAG.	1,00			--
0009	RCGR00065		TAP F/F 1/2"	1,00			--
0010	FTAC00036		FILTER IN RETE	1,00			--
0011	RCDS49622		CONNECTOR OCC 1/2 - 1/2M	1,00			--
0012	GUVR00213		WASHER GOMMA	2,00			--
0013	RCDS00026		SCREW -	1,00			--
0014	LAFN05902		LEVER RUBINETTO	1,00			--
0015	VTRS00251		WASHER 4-16 INOX A2	1,00			--
0016	VTVT00633		SCREW	1,00			--
0017	TBFX49101		TUBE FLEX D.34 CPL.SHK	1,00			--
0018	GUGO00268		GASKET D.21 SP.3 GOMMA	1,00			--
0019	RCVR00353		CAP 1/2"G X ELETTROV. ACL	1,00			--
0022	MECB00916		WIRING PEDALE ACCEL.P160	1,00			--



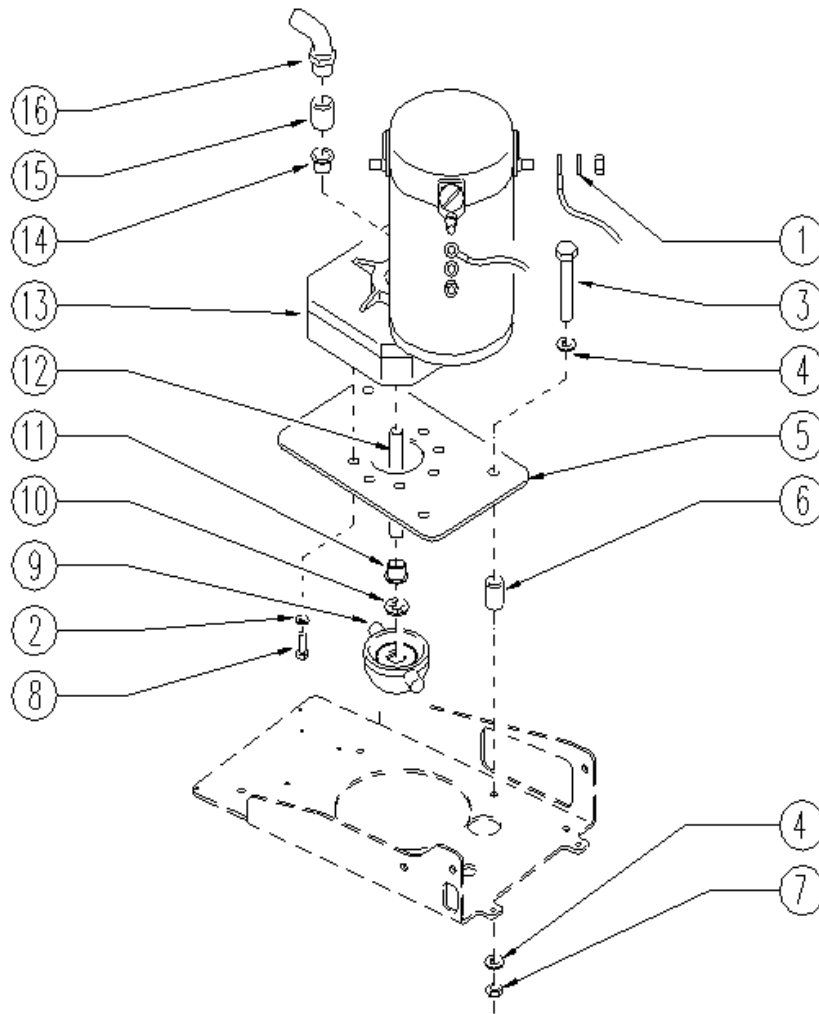
Ref.	K	Part N.	Customer Part N.	Description	Qty	Validity: From To	Price
0001		MPVR04051		TANK CAP	1,00		--
0002		MPVR49942		LEVER SHK PP	1,00		--
0004		TBFX00214		TUBE SCARICO	2,00		--
0005		LAFN05865		PLATE COPRILEVA CONSENSO	1,00		--
0006		LAFN05863		ROD RUBINETTO	1,00		--
0007		MPVR46988		CLIP LAV. SHK	1,00		--
0008		VTVT00651		SCREW TBEI M. 5x16 INOX	4,00		--
0009		VTVT00640		SCREW TBEI M 6-12 INOX	2,00		--
0010		VTVT00787		SCREW TBEI M 6-16	3,00	05/2006	--
0011		GUGO00292		GASKET OR 6162	1,00		--
0013		CMCV00312		CABLE SOLLEVAMENTO SQUEEGEE	1,00		--
0016		VTRS00251		WASHER 4-16 INOX A2	1,00		--
0017		VTVT00800		SCREW TC 4X12 ZN	1,00		--
0018		VTVT21096		SCREW TE M 4X 10 INX	2,00		--
0019		LAFN05870		BRACKET LEVA SOLLEVAM. SQUEEGEE	1,00		--
0020		PMVR02012		GROUP TUBO TUBO INT. P197	1,00		--
0021		VTRS13947		WASHER D. 8 INX UNI 6592	2,00		--
0022		LAFN05861		LEVER CONSENSO SPAZZOLE	1,00		--
0023		VTDD01694		NUT M 6 INX	2,00		--
0024		LAFN05908		ROD COMANDO RUBINETTO	1,00		--
0026		GUGO00263		GASKET CIRCOLARE TAPPO	1,00		--
0027		FTDP00133		FILTER ASPIRAZIONE ALLUNG.	1,00		--
0028		MPVR04146		KNOB IN PVC MOD. 1001 FORO D.6	1,00		--
0030		MPVR05064		CAP COMPLETO	1,00		--
0031		MPVR51086		TUBE INT.SERB.RECUP.	1,00		--
0032		VTVT00814		SCREW TE M.4-25	2,00		--
0033		VTRS00515		WASHER D. 4 INX	2,00		--
0034		VTRS00274		WASHER NYLON 66 D.8,4-17-2 UNI	4,00		--
0035		GUGO00417		GASKET SCATOLA ASPIRAZIONE	1,00		--
0036		FTDP00185		BOX ASPIRAZIONE	1,00		--
0037		VTDD15925		NUT M 4 INX	2,00		--
0038		GUGO00418		GASKET CONDOTTO ASPIRAZIONE	1,00		--
0039		PMVR01129		GROUP tubo tigr.d.50 p185	1,00	05/2006	--
0040		GUGO00245		GASKET	1,00	05/2006	--
0041		RCVR00504		CONNECTOR DRITTO FEMM.	1,00		--
0042		FSVR43136		CLAMP D. 35-40 DF.	1,00		--
0043		MPVR02765		PROTECTION INNESTO FISSAGGIO	1,00		--
0045		MPVR02730		PLATE SIFONE	1,00		--



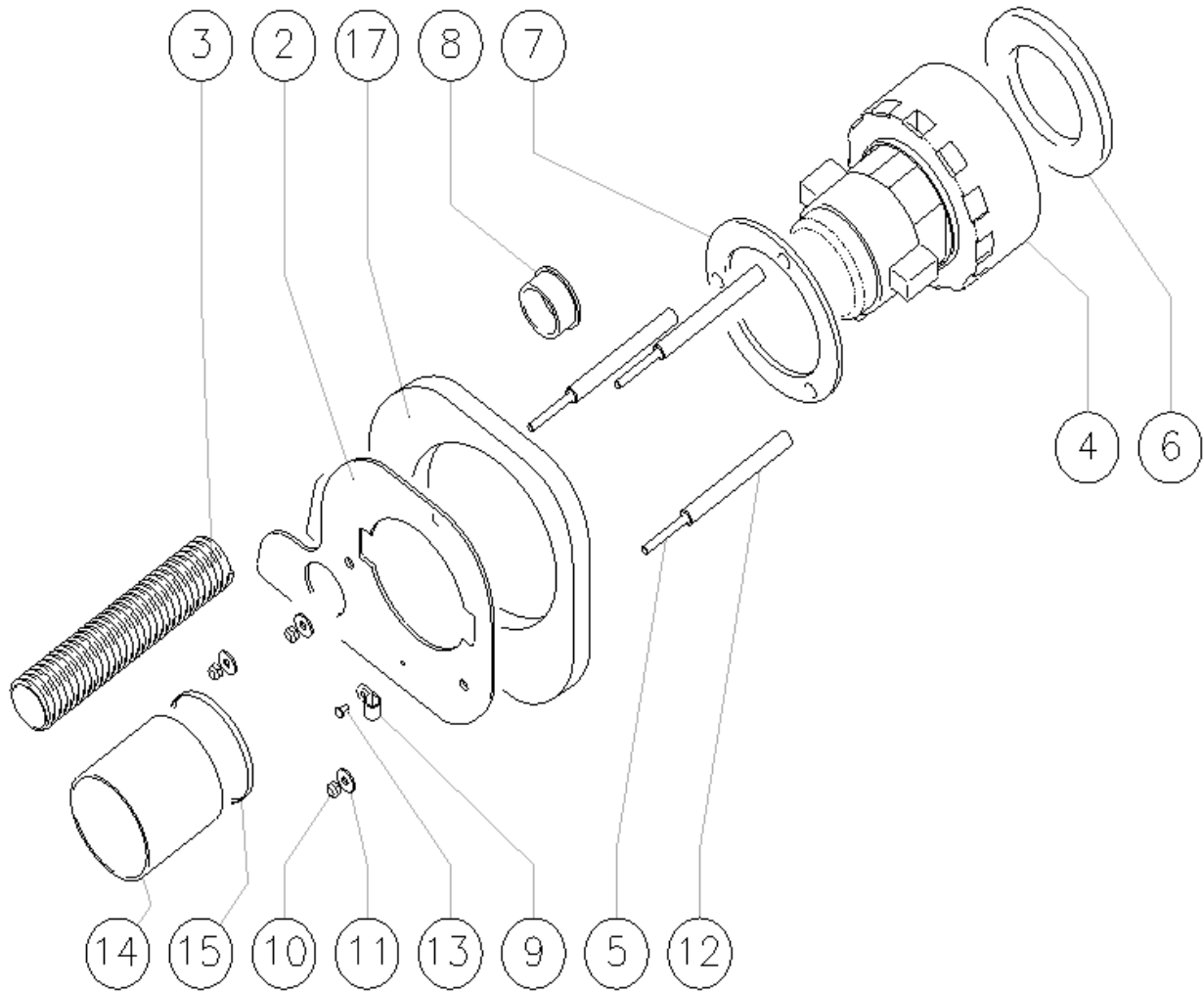
Ref. K	Part N.	Customer Part N.	Description	Qty	Validity:		Price
					From	To	
0001	FTAC48857		FILTER ASP. ACQUA SERB. LAVAP.	1,00			--
0004	MPVR48695		PIN SHK.BK	2,00			--
0006	MPVR04931		CAP SCARICO	1,00			--
0007	VTRS15144		WASHER D. 6 INX GRW UNI 1751	1,00			--
0008	VTVT01303		SCREW TE M6-10 INOX	1,00			--
0010	LAFN05862		ROD RUBINETTO	1,00			--
0015	FSVR00099		CLAMP FERMATUBO	2,00			--
0016	VTRS00515		WASHER D. 4 INX	2,00			--
0017	VTVT00754		SCREW TC+ M. 4-10	2,00			--
0018	VTVT37012		SCREW M 4X 10 TCB-TC INX	2,00			--
0019	VTVT15961		SCREW M 5X 16 TCB TC UNI 7687	1,00			--
0020	PMVR02028		RUBBER GRUPPO MONTAGGIO	2,00			--
0021	VTVR48693		INSERT M6 D.9	1,00			--
0022	MPVR49471		LEVER SHK	1,00			--
0024	VTVT15143		SCREW TE 6X16 UNI5739	1,00			--
0025	VTRS13945		WASHER D. 6X18 INX UNI 6593	1,00			--
0027	GUGO00416		GASKET TAPPO SCARICO SERB.	1,00			--
0028	MPVR51085		FLAP POSTER.TERGI 950 MAGG.	1,00			--
0029	VTVT15916		SCREW TE M 8X 16 UNI 5739 A2	4,00			--
0030	VTRS13947		WASHER D. 8 INX UNI 6592	4,00			--
0031	VTRS00269		WASHER D. 8 DIN 6798-A INX A2	4,00			--
0032	GUGO00267		GASKET FILTRO	1,00			--



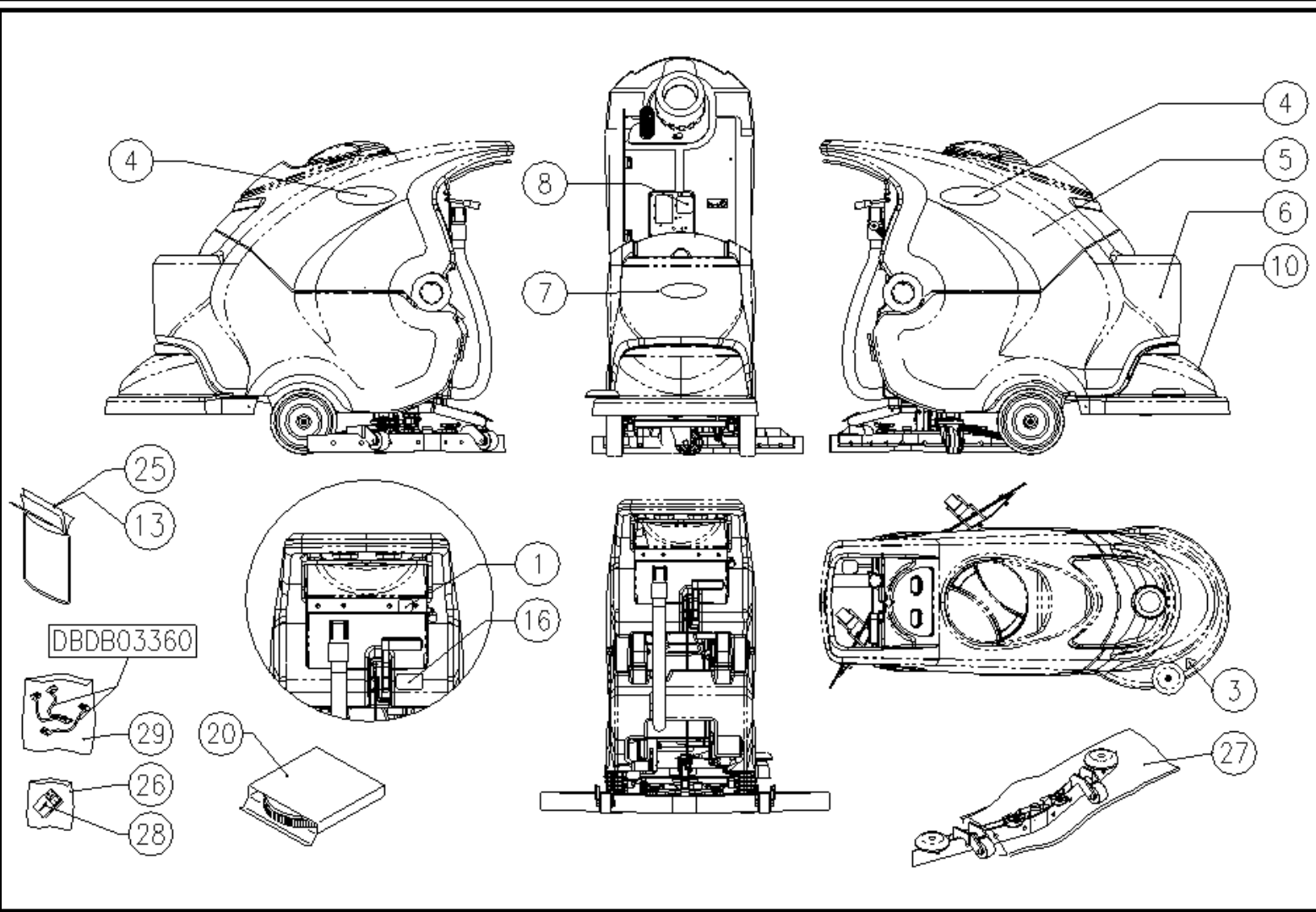
Ref. K	Part N.	Customer Part N.	Description	Qty	Validity:		Price
					From	To	
0047	VTVT13937		SCREW TE M 8X 30 INX UNI 5739	2,00			--
0048	VTVR35749		HANDWHEEL M 6MAX110 D.35	1,00			--
0050	LAFN35747		SPRING SUPPORT LAV. E/B 450	1,00			--
0051	VTVT00822		SCREW TCEI M 8-30	1,00			--



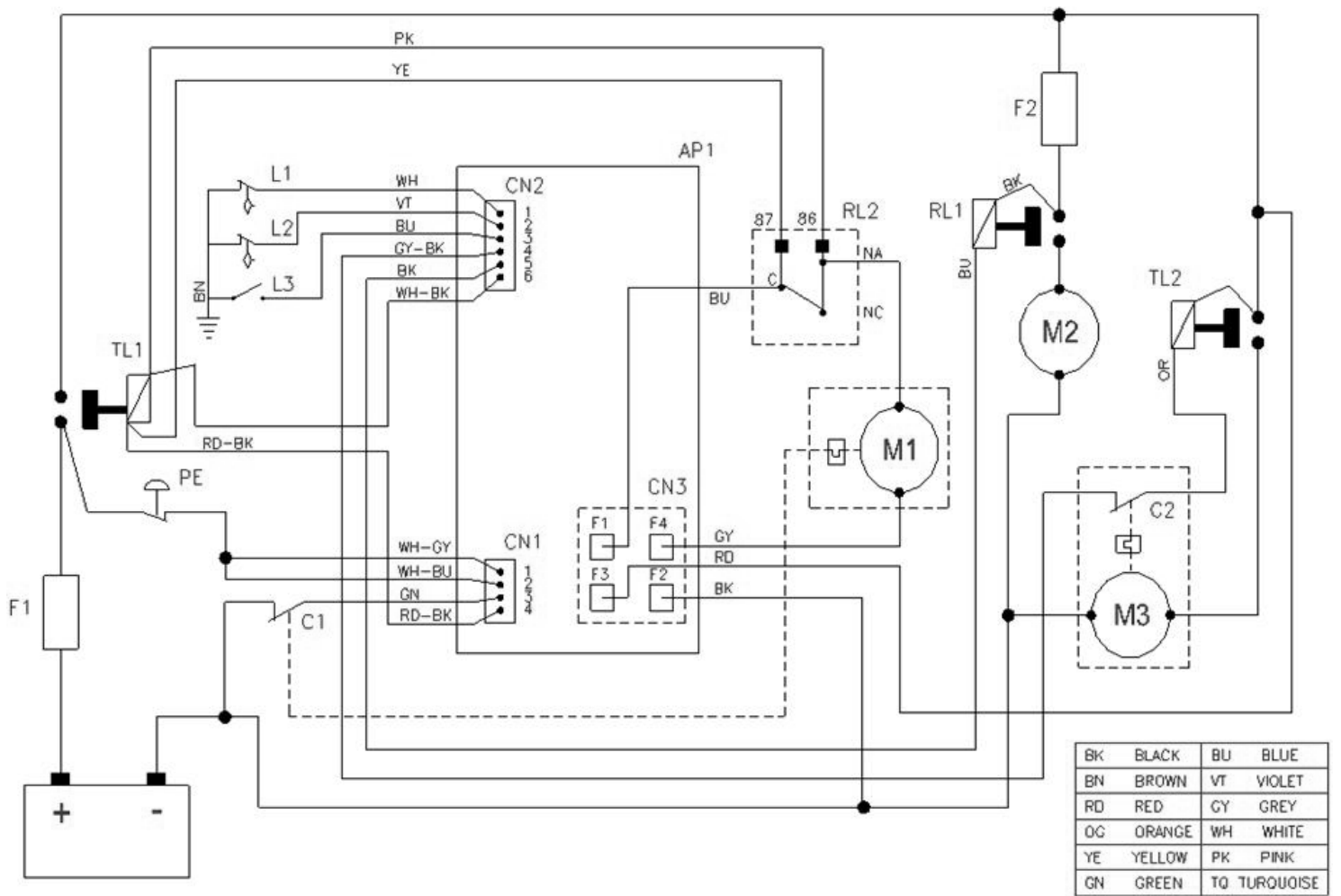
Ref. K	Part N.	Customer Part N.	Description	Qty	Validity:		Price
					From	To	
0001	VTRS15144		WASHER D. 6 INX GRW UNI 1751	10,00			--
0003	VTVT13937		SCREW TE M 8X 30 INX UNI 5739	4,00			--
0004	VTRS13947		WASHER D. 8 INX UNI 6592	4,00			--
0005	LAFN05920		FLANGE RIDUTTORE	1,00			--
0006	RCDS34717		BUSHING D. 9X12X 8.3	4,00			--
0007	VTDD01695		NUT M 8 INX	4,00			--
0008	VTVT15906		SCREW TE 6X 12 A2 UNI 5739	8,00			--
0009	MFVR00134		DRIVE DISK SPAZZOLE	1,00			--
0010	MPVR02997		CLIP ANELLO X PERNO D10	1,00			--
0011	CUVR43254		BUSHING CB 85 1010 18T	1,00			--
0012	LAFN04202		TUBE SOLUZIONE INOX D10	1,00			--
0014	CUVR43254		BUSHING CB 85 1010 18T	1,00			--
0015	LAFN51028		BUSHING	1,00			--
0016	RCVR45752		HOSE FITTING "L" 3/8M - D.10 PLS.	1,00			--



Ref. K	Part N.	Customer Part N.	Description	Qty	Validity: From To	Price
0002	LAFN06363		FLANGE ASPIRATORE	1,00		--
0003	TBFX00244		TUBE D 34 L200MM	1,00		--
0004	MOCC00253		MOTOR ASPIR.BIST.24V	1,00		--
0005	VTVR00198		ROD	3,00		--
0006	GUGO00272		GASKET	1,00		--
0007	MPVR04724		FLANGE IN NYLON	1,00		--
0008	MPVR31077		BUSHING L.450	1,00		--
0009	FSVR00099		CLAMP FERMATUBO	1,00		--
0010	VTDD01694		NUT M 6 INX	3,00		--
0011	VTRS13945		WASHER D. 6X18 INX UNI 6593	3,00		--
0012	LAFN51078		SPACER SH	3,00		--
0013	VTVT00813		SCREW M 4X 8 TCB-TC UNI 8112	1,00		--
0014	TBFX00268		SUCTION HOSE D80 L=80MM	1,00		--
0015	FSVR00500		CLAMP 80-100 INOX	1,00		--
0017	MPVR05103		SOUND-PROOFING ASPIRATORE	1,00		--



Ref. K	Part N.	Customer Part N.	Description	Qty	Validity:		Price
					From	To	
0003	ETET01014		ADHESIVE ATTENZ.ABRAS.ARTI	1,00			--
0004	ETET01364		LABEL LATERALE	2,00			--
0007	ETET02000		LABEL LOGO IPC	1,00			--
0008	ETET00763		LABEL SIMBOLO FUSIBILI	1,00			--
0010	MPVR04722		ROLLER	1,00			--
0013	PLDC01423		MANUAL	1,00			--
0016	ETET01407		PLATE APERTURA SERBATOIO	1,00			--
0020	SPPV43964		BRUSH NYL 0.8 530	1,00			--
0025	PLDC01450		MANUAL RIC. CLT40	1,00			--
0026	MIVR00072		ENVELOPE PLASTICA TRASP.	1,00			--
0027	MIVR00048		TUBE UNIBOL	1,00			--
0028	MEVR01079		CONNECTOR CARICABATT.ROSSO	1,00			--
0029	MIVR00064		ENVELOPE PORTA CABLAGGI	1,00			--



Ref. K	Part N.	Customer Part N.	Description	Qty	Validity:		Price
					From	To	
AP1	MECE00435		BOARD DI POTENZA+TRASFORMATORE	1,00			--
F1	MEVR42990		FUSE 60A NST.	1,00			--
F2	MEVR02887		FUSE 40A NST.	1,00			--
L1	MECI00338		SENSOR DI LIVELLO ORIZZONTALE	1,00			--
L2	MECI00338		SENSOR DI LIVELLO ORIZZONTALE	1,00			--
L3	MECI36393		MICROSWITCH TRZ. DRW	1,00			--
M1	MOCC00284		MOTOR.GEARBOX "AMER" CT40	1,00			--
M2	MOCC00253		MOTOR ASPIR.BIST.24V	1,00			--
M3	MOCC36311		TRACTION MOTOR DW225 600 W 24V	1,00			--
PE	MECI38446		BUTTON D.22 NC	1,00			--
RL1	MECE00139		RELAY POTENZA 24V	1,00			--
RL2	MECI00005		RELAY 24V 10/20A	1,00			--
TL1	METT30650		CONTACTOR 24 V	1,00			--
TL2	METT00056		CONTACTOR T-106	1,00			--