



IPC Integrated Professional Cleaning

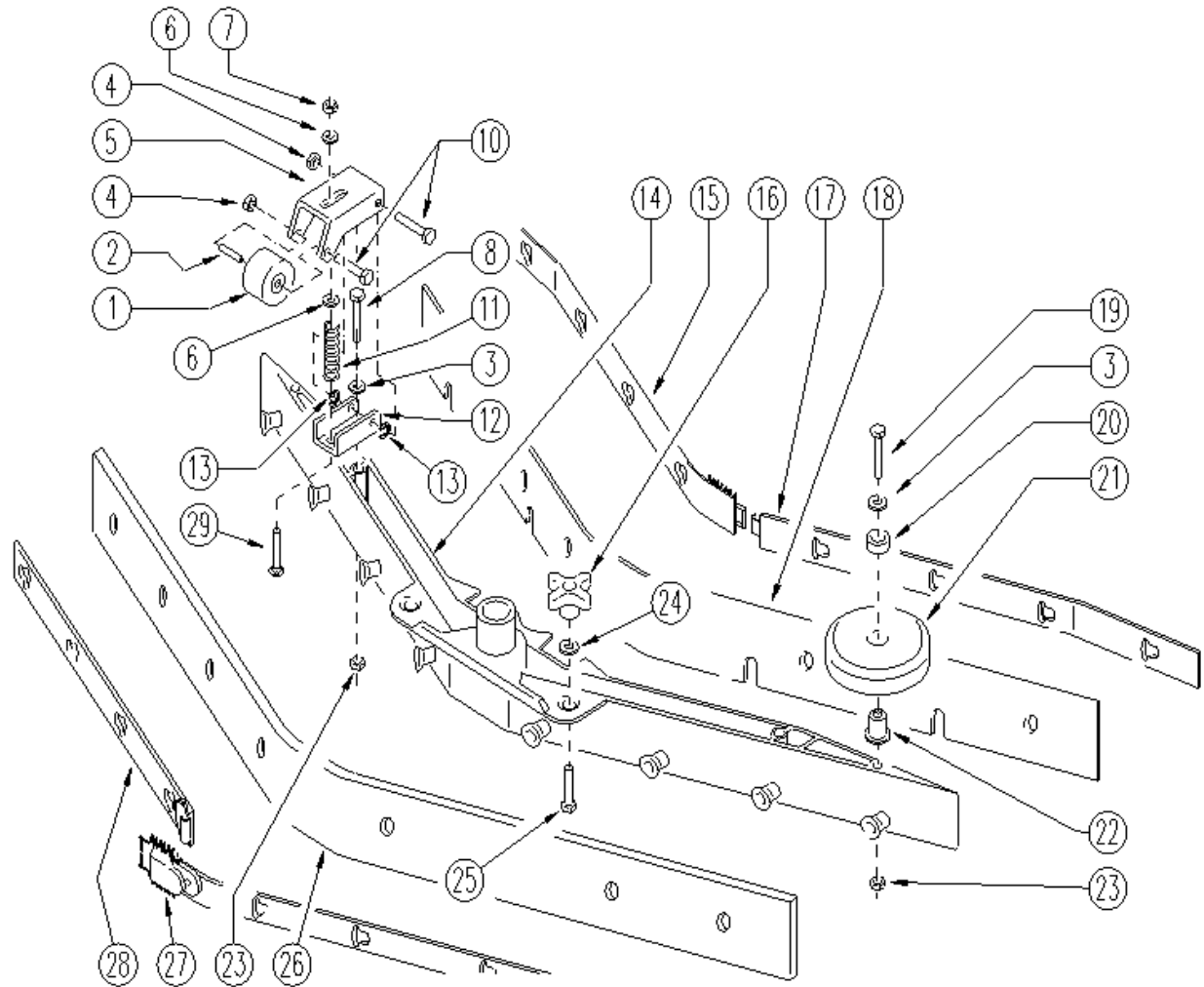
IPCGansow

Spare Parts List

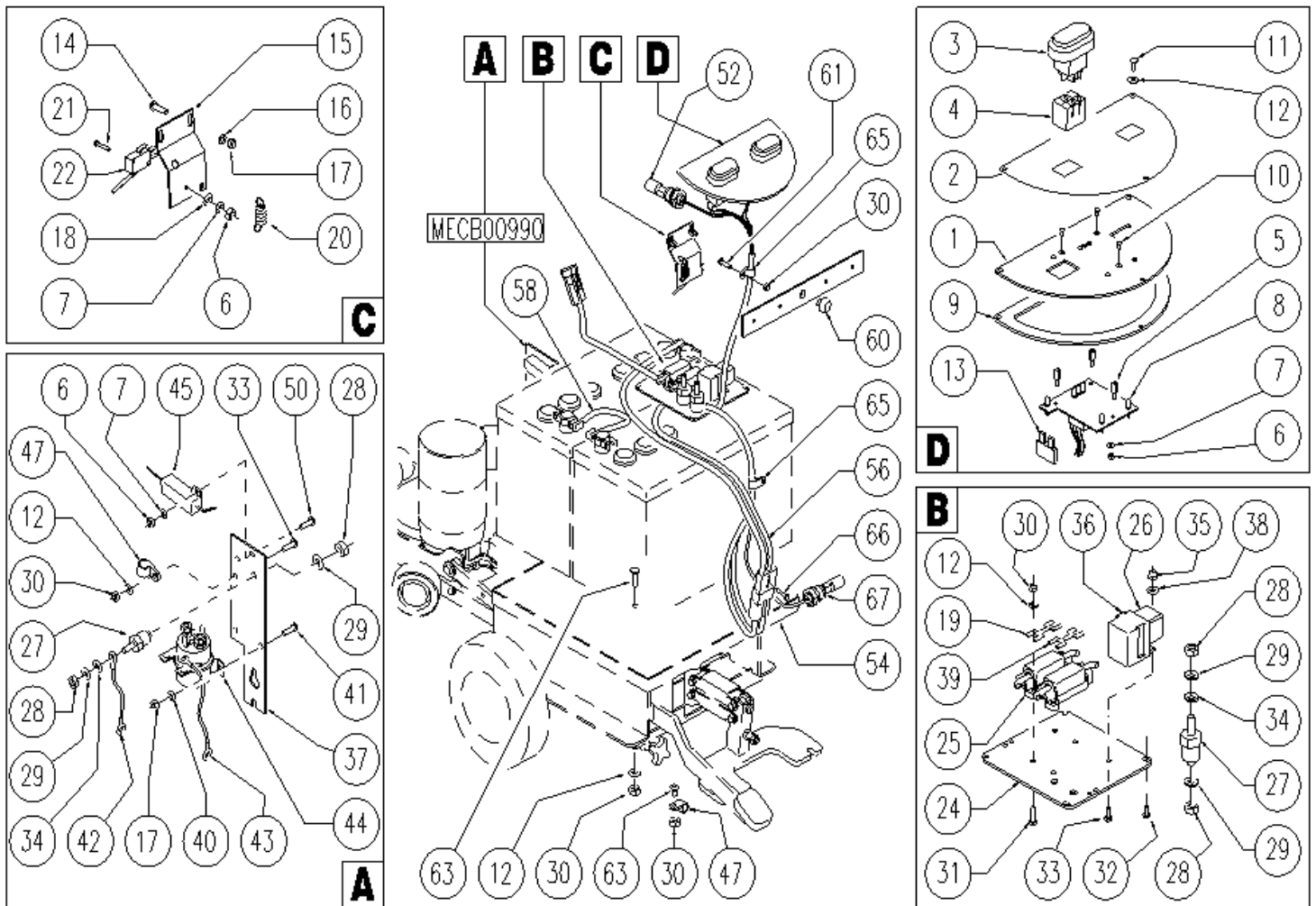
TAVERNARO AG

Ref: LPTB02128

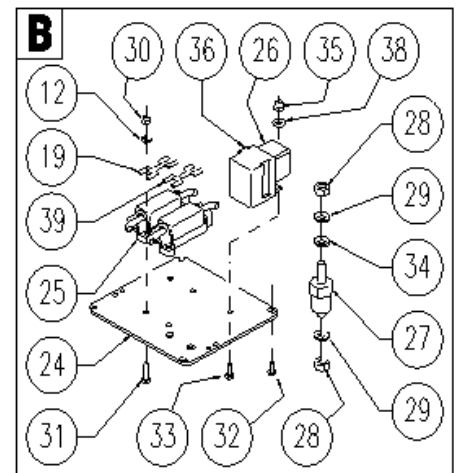
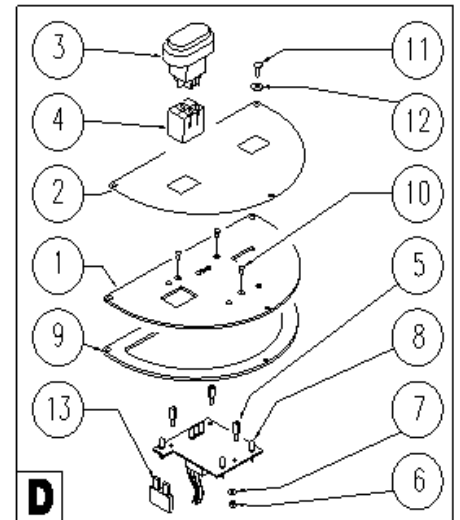
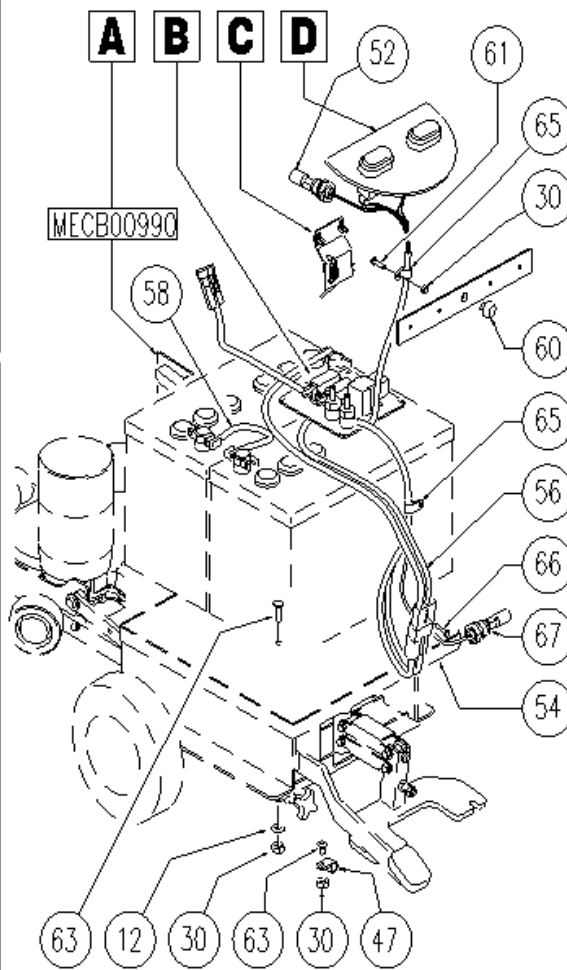
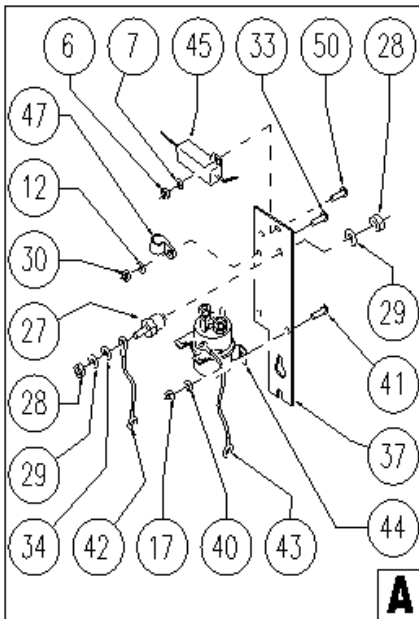
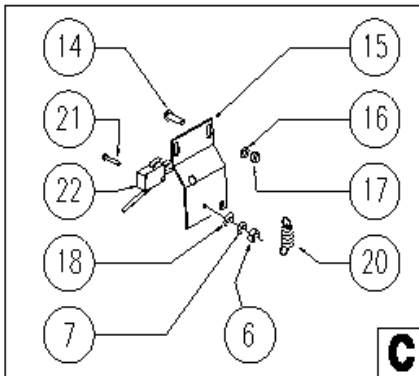
Model: Cleantime 40 B55 + Elettrovalvola



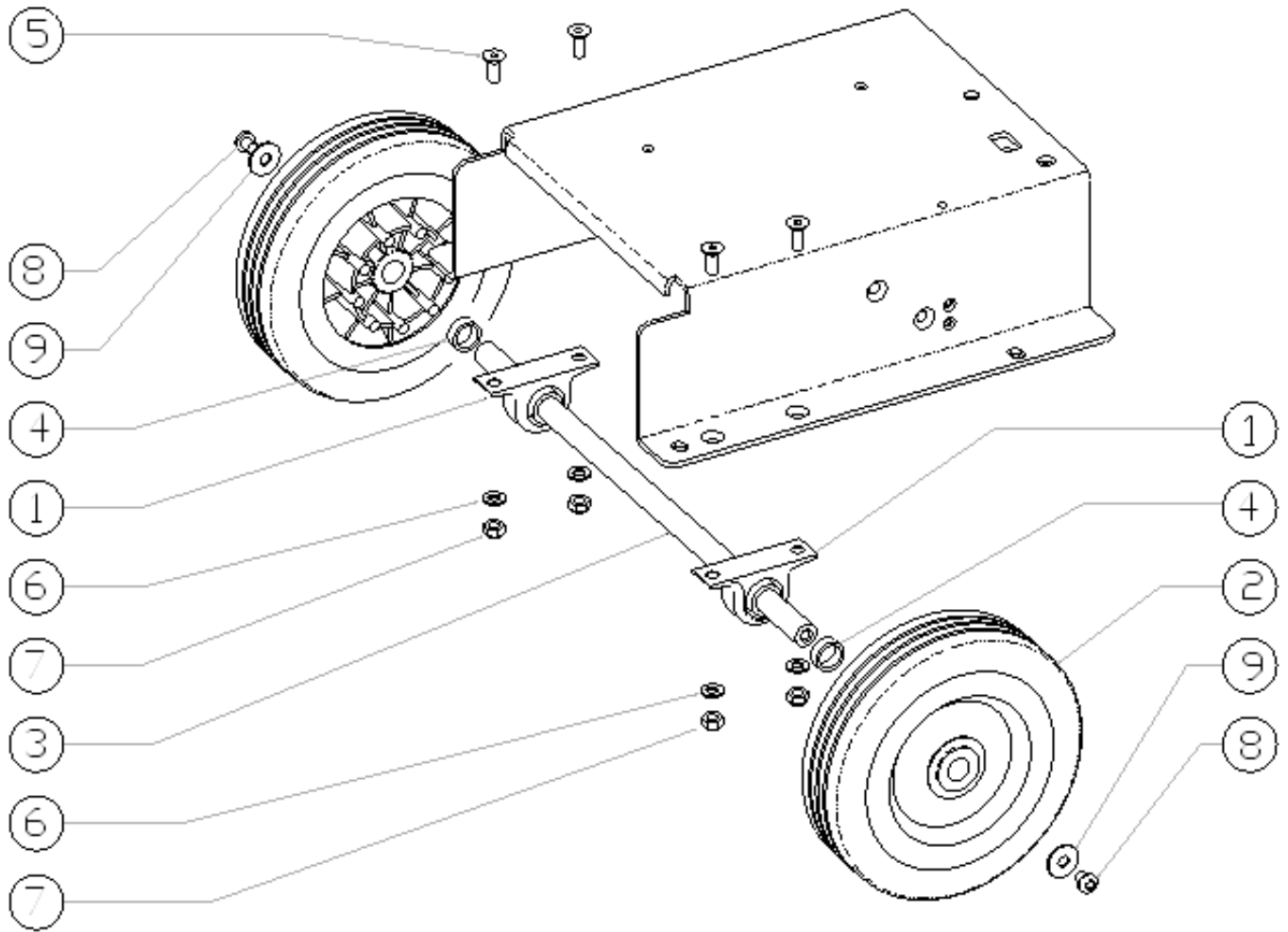
| Ref. K | Part N. | Customer Part N. | Description | Qty | Validity: | | Price |
|--------|-----------|------------------|-----------------------------------|-------|-----------|---------|-------|
| | | | | | From | To | |
| 0001 | RTRT49413 | | WHEEL D. 60-D.15 X36 NYL. | 2,00 | 03/2004 | | -- |
| 0002 | LAFN04041 | | SPACER D6/15 | 2,00 | 03/2004 | | -- |
| 0003 | VTRS00245 | | WASHER D.6 UNI 6592 INOX | 12,00 | 03/2004 | 05/2006 | -- |
| 0003 | VTRS15144 | | WASHER D. 6 INX GRW UNI 1751 | 4,00 | 05/2006 | | -- |
| 0004 | VTDD01694 | | NUT M 6 INX | 6,00 | 03/2004 | | -- |
| 0005 | LAFN05559 | | SUPPORT RUOTINO | 2,00 | 03/2004 | | -- |
| 0006 | VTRS13947 | | WASHER D. 8 INX UNI 6592 | 4,00 | 03/2004 | | -- |
| 0007 | VTDD01695 | | NUT M 8 INX | 2,00 | 03/2004 | | -- |
| 0008 | VTVT15142 | | SCREW TE M 6x45 INOX | 2,00 | 03/2004 | | -- |
| 0009 | VTRS15144 | | WASHER D. 6 INX GRW UNI 1751 | 4,00 | 03/2004 | 05/2006 | -- |
| 0010 | VTVT15143 | | SCREW TE 6X16 UNI5739 | 4,00 | 03/2004 | 05/2006 | -- |
| 0010 | VTVT15515 | | SCREW TE M 6X 50 INOX A2 | 4,00 | 05/2006 | | -- |
| 0011 | MLML49422 | | SPRING D.15X 45 X1 | 2,00 | | | -- |
| 0012 | LAFN51069 | | BRACKET SUPP.RUOTINO SQUEEGEE | 2,00 | | | -- |
| 0013 | VTAE45707 | | CIRCLIP D. 6 UNI 7434 INOX | 4,00 | | | -- |
| 0014 | MFVR00141 | | BODY SQUEEGEE PRESSOFUSO | 1,00 | 03/2004 | | -- |
| 0015 | LAFN51045 | | LAMINATION BLOCCA LAMA ANTER.SX S | 1,00 | 03/2004 | | -- |
| 0016 | MPVR04164 | | HANDWHEEL M8 FILETTO PASSANTE | 2,00 | 03/2004 | | -- |
| 0017 | LAFN51044 | | LAMINATION BLOCCA LAMA ANTER.DX S | 1,00 | 03/2004 | | -- |
| 0018 | MPVR45194 | | RUBBER BLADE LAV. 800 ANT. | 1,00 | 03/2004 | | -- |
| 0019 | VTVT00655 | | SCREW TE M. 6-55 | 2,00 | | | -- |
| 0020 | MPVR49229 | | BUSHING SHK | 2,00 | 03/2004 | | -- |
| 0021 | RTRT43370 | | CASTER D.100 2V. | 2,00 | 03/2004 | | -- |
| 0022 | LAFN04100 | | SPACER PER RUOTINO PARACOLPI | 2,00 | 03/2004 | | -- |
| 0023 | VTDD15520 | | NUT M 6 A2 UNI 5588 INX | 4,00 | 03/2004 | | -- |
| 0024 | VTAE00074 | | CIRCLIP D8 | 2,00 | 03/2004 | | -- |
| 0025 | VTVT01050 | | SCREW TE M 8X30 INX UNI 5737 | 2,00 | 06/2004 | | -- |
| 0026 | MPVR45195 | | RUBBER BLADE LAV. 800 PST.POL. | 1,00 | 03/2004 | | -- |
| 0027 | LAFN49284 | | BLADE HOLDER POSTERIORE DX (S) | 1,00 | 03/2004 | | -- |
| 0028 | LAFN49285 | | BLADE HOLDER POSTERIORE SX (S) | 1,00 | 03/2004 | | -- |
| 0029 | VTVT01304 | | SCREW M 8X 40 TTQST UNI 5731 | 2,00 | 05/2006 | | -- |



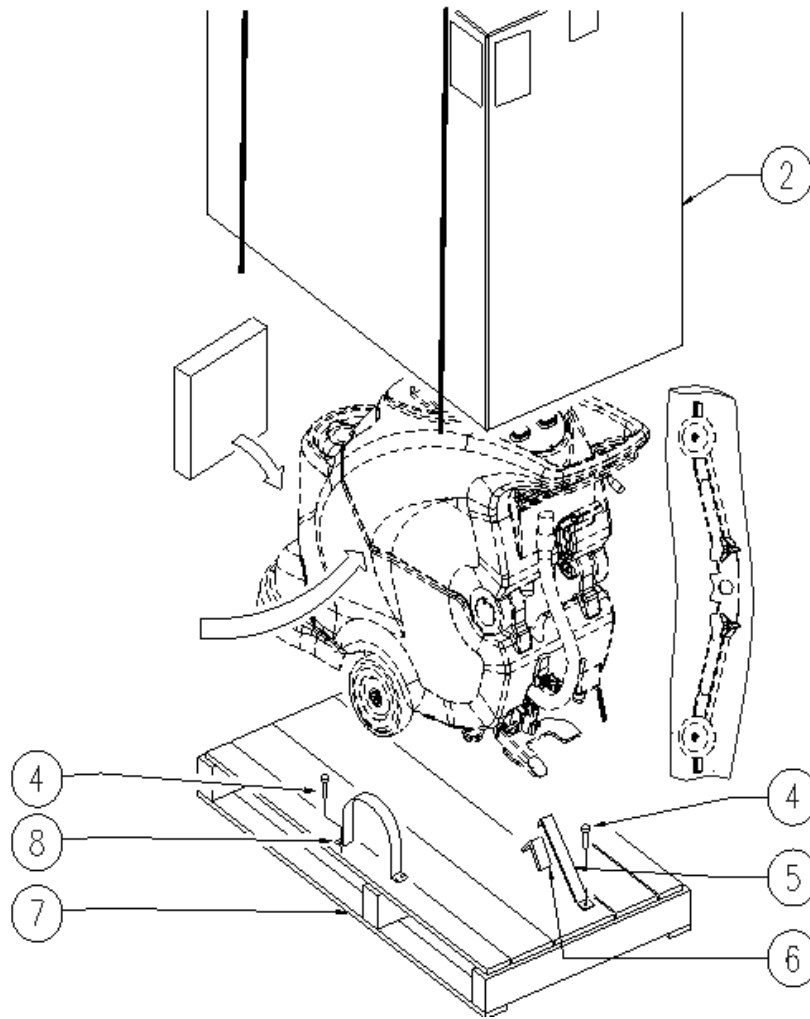
| Ref. | K | Part N. | Customer Part N. | Description | Qty | Validity: | | Price |
|------|---|-----------|------------------|---------------------------------|------|-----------|---------|-------|
| | | | | | | From | To | |
| 0001 | | LAFN05860 | | SHEET METAL PA.PANNELLO COMANDI | 1,00 | 02/2004 | | -- |
| 0002 | | ETET01372 | | LABEL ANNELLO COMANDI | 1,00 | 02/2004 | | -- |
| 0003 | | MECI00346 | | SWITCH TTR/L BIP. 24V | 2,00 | 02/2004 | | -- |
| 0004 | | MECI00384 | | BASE 401 | 2,00 | | | -- |
| 0005 | | LAFN04047 | | SPACER X SCHEDE M3 15x8x8 | 3,00 | 02/2004 | | -- |
| 0006 | | VTDD21115 | | NUT M 3 INOX | 4,00 | 02/2004 | | -- |
| 0007 | | VTRS00268 | | WASHER D.3 | 7,00 | 02/2004 | | -- |
| 0008 | | MECE00398 | | BOARD EXTREME 24V | 1,00 | 02/2004 | | -- |
| 0009 | | GUGO38417 | | GASKET PANN.COM.EXTREME | 1,00 | 02/2004 | | -- |
| 0010 | | VTVT00865 | | SCREW TSP-TC M 3X 6 UNI7688 INX | 3,00 | 02/2004 | | -- |
| 0011 | | VTVT37012 | | SCREW M 4X 10 TCB-TC INX | 3,00 | 02/2004 | | -- |
| 0012 | | VTRS00515 | | WASHER D. 4 INX | 8,00 | 03/2004 | | -- |
| 0013 | | MEVR01428 | | FUSE A LAMA 2 A. UNIVAL | 1,00 | | | -- |
| 0014 | | VTVT00651 | | SCREW TBEI M. 5x16 INOX | 2,00 | 04/2004 | | -- |
| 0015 | | LAFN05904 | | PLATE MICRO LEVA | 1,00 | 04/2004 | | -- |
| 0016 | | VTRS00516 | | WASHER D. 5 INX | 2,00 | 04/2004 | | -- |
| 0017 | | VTDD01693 | | NUT M 5 INX | 4,00 | | | -- |
| 0018 | | VTRS21116 | | WASHER D. 3 INX | 2,00 | 02/2004 | | -- |
| 0019 | | MEVR02887 | | FUSE 40A NST. | 1,00 | | | -- |
| 0020 | | MLML34726 | | SPRING TR E350 N | 1,00 | 04/2004 | | -- |
| 0021 | | VTVT01316 | | SCREW TC+ M3-16 | 2,00 | 02/2004 | | -- |
| 0022 | | MECI36393 | | MICROSWITCH TRZ. DRW | 1,00 | 02/2004 | | -- |
| 0024 | | LAFN05903 | | PLATE X CABLAGGIO CLT 40 BATT | 1,00 | 02/2004 | | -- |
| 0025 | | MEVR01332 | | FUSE-HOLDER | 2,00 | 02/2004 | | -- |
| 0026 | | MECE00139 | | RELAY POTENZA 24V | 1,00 | 02/2004 | | -- |
| 0027 | | MEVR01116 | | SUPPORT FUSIBILE 120 A | 3,00 | 02/2004 | | -- |
| 0028 | | VTDD15521 | | NUT M 8 INX A2 UNI 5588 | 6,00 | 02/2004 | | -- |
| 0029 | | VTRS01080 | | WASHER D. 8 GRW | 6,00 | 02/2004 | | -- |
| 0030 | | VTDD15925 | | NUT M 4 INX | 6,00 | 02/2004 | | -- |
| 0031 | | VTVT00704 | | SCREW TE M 4X 16 UNI5739 INOX | 4,00 | 02/2004 | | -- |
| 0032 | | VTVT01580 | | SCREW TC M5X10 UNI7687 INOX | 4,00 | 11/2005 | | -- |
| 0032 | | VTVT01300 | | SCREW TE M5X12 INOX | 4,00 | 06/2004 | 11/2005 | -- |
| 0033 | | VTVT21096 | | SCREW TE M 4X 10 INX | 2,00 | 02/2004 | | -- |
| 0034 | | VTRS13947 | | WASHER D. 8 INX UNI 6592 | 3,00 | 02/2004 | | -- |
| 0035 | | VTDD00147 | | NUT M 4 INX U.5588 | 1,00 | 02/2004 | | -- |
| 0036 | | METT00053 | | BLOCK PORTA RELE' | 1,00 | 02/2004 | | -- |
| 0037 | | LAFN51089 | | PLATE ELETTRICA CLT40 | 1,00 | | | -- |
| 0038 | | VTRS13750 | | WASHER D. 5X14 INX | 1,00 | 02/2004 | | -- |
| 0039 | | MEVR42990 | | FUSE 60A NST. | 1,00 | 02/2004 | | -- |



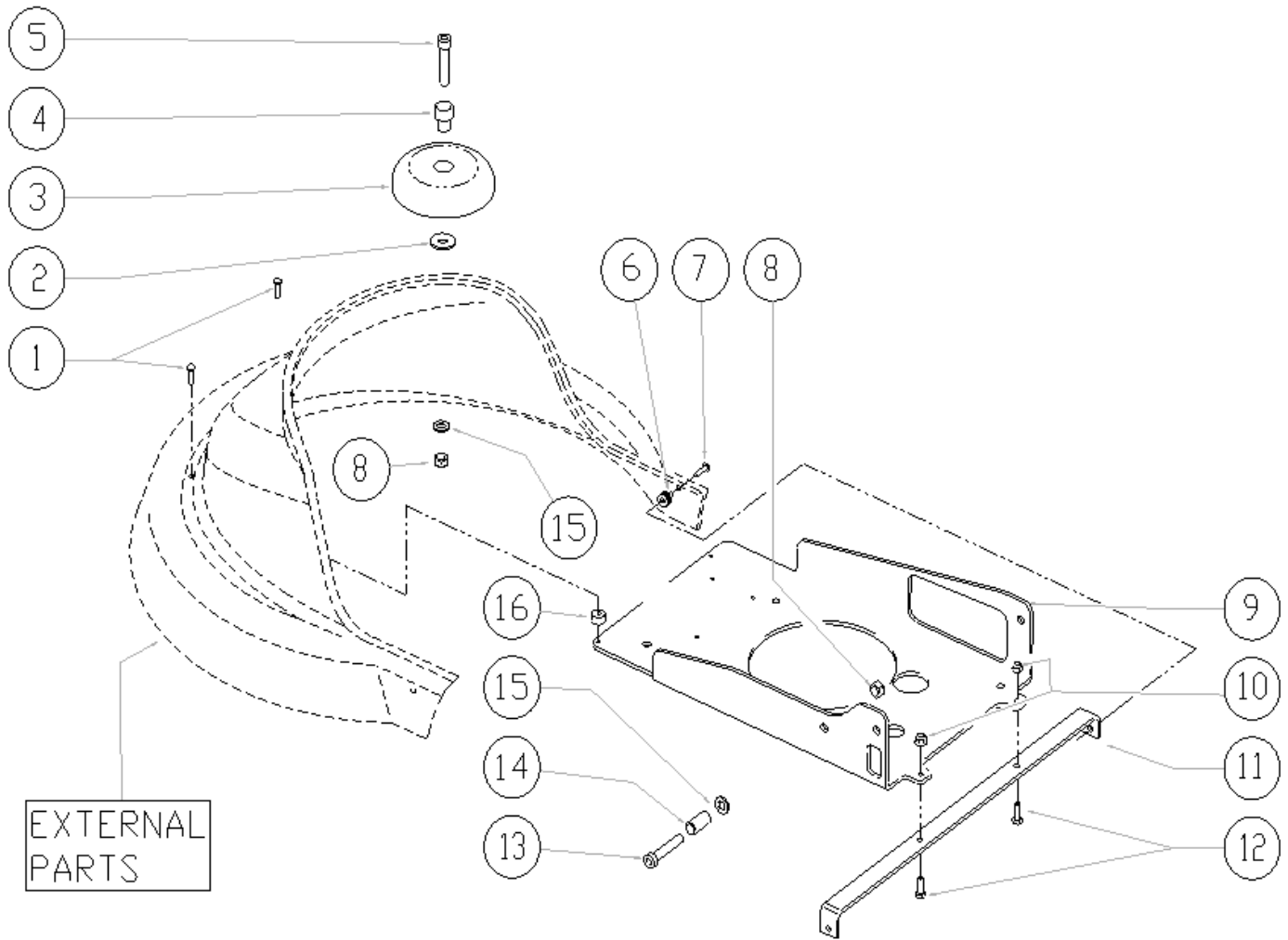
| Ref. | K | Part N. | Customer Part N. | Description | Qty | Validity: | | Price |
|------|---|-----------|------------------|-------------------------------|------|-----------|---------|-------|
| | | | | | | From | To | |
| 0040 | | VTRS15958 | | WASHER D. 5 X15 UNI 6593 | 2,00 | | | -- |
| 0041 | | VTVT34115 | | SCREW TE M 5X 10 UNI 5739 | 2,00 | | | -- |
| 0042 | | MECB00987 | | WIRING - | 1,00 | | | -- |
| 0043 | | MECB00988 | | WIRING - | 1,00 | | | -- |
| 0044 | | METT00056 | | CONTACTOR T-106 | 1,00 | 02/2004 | | -- |
| 0045 | | MECB00930 | | WIRING RESISTENZA 50 W | 1,00 | | 05/2006 | -- |
| 0045 | | MECB00989 | | WIRING FRENATURA | 1,00 | 05/2006 | | -- |
| 0047 | | MPVR02933 | | DUCT LOCK D.9,5 | 3,00 | 03/2004 | | -- |
| 0050 | | VTVT00722 | | SCREW | 2,00 | 02/2004 | | -- |
| 0052 | | MECI00399 | | SENSOR DI LIVELLO ORIZZONTALE | 2,00 | 11/2005 | | -- |
| 0052 | | MECI00338 | | SENSOR DI LIVELLO ORIZZONTALE | 2,00 | 02/2004 | 11/2005 | -- |
| 0054 | | LAFN35588 | | BATTERY SUPPORTLAV. BT | 1,00 | 04/2004 | | -- |
| 0056 | | MECB00932 | | WIRING BATT. 10mmq L=660mm | 1,00 | 04/2004 | | -- |
| 0058 | | MEVR34820 | | WIRING B 450 BT | 1,00 | 04/2004 | | -- |
| 0060 | | MPVR00043 | | CAP CHIUS.FORO PORTAFUS.L 15 | 1,00 | | | -- |
| 0061 | | VTVT00681 | | SCREW | 1,00 | | | -- |
| 0063 | | VTVT16939 | | SCREW M 4X 16 TSPEI UNI 5933 | 2,00 | 04/2004 | | -- |
| 0065 | | FSVR00099 | | CLAMP FERMATUBO | 2,00 | 02/2004 | | -- |
| 0066 | | VTVT00633 | | SCREW | 2,00 | | | -- |
| 0067 | | MECI00400 | | SENSOR DI LIVELLO ORIZZONTALE | 1,00 | 05/2006 | | -- |



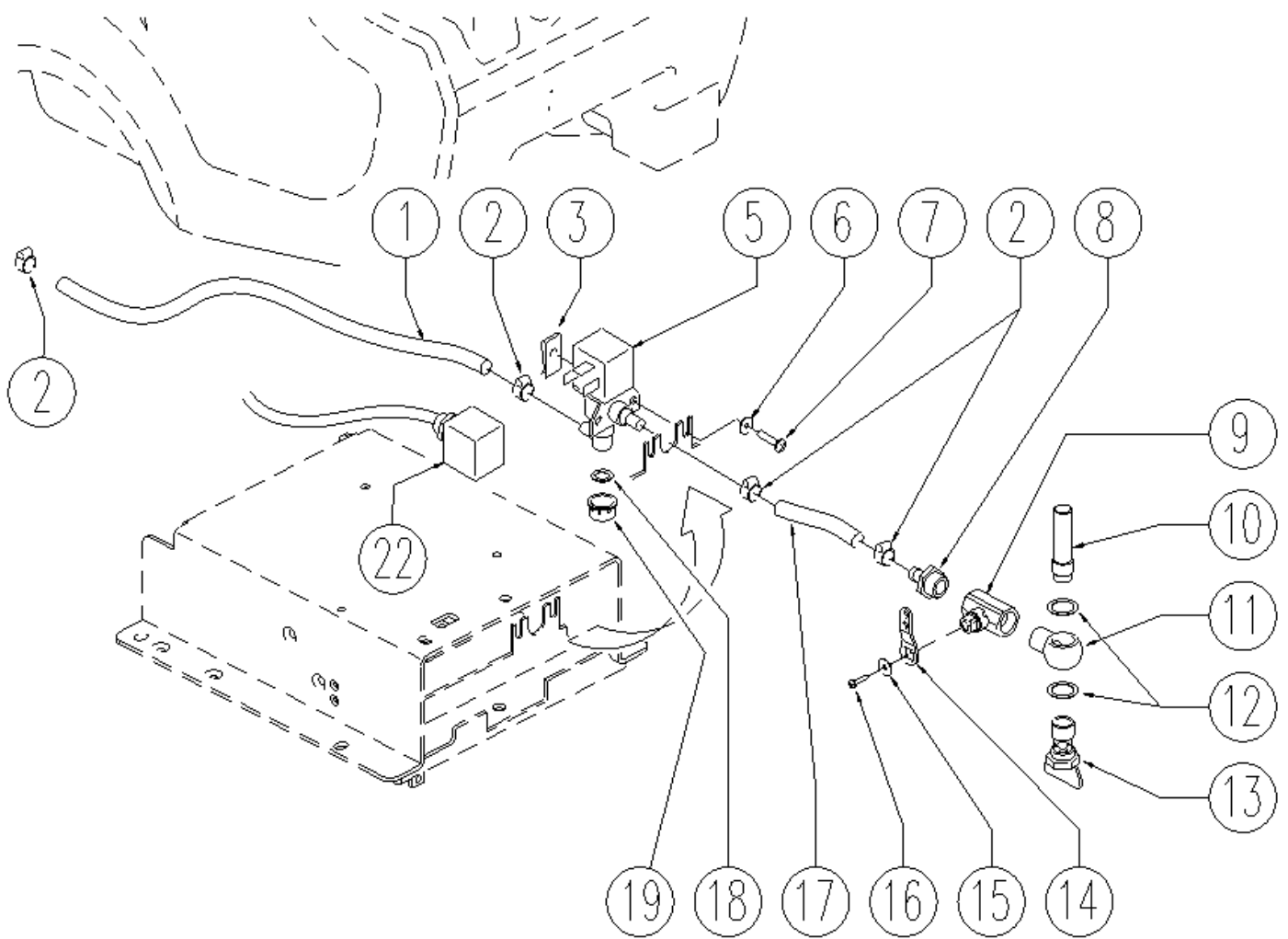
| Ref. K | Part N. | Customer Part N. | Description | Qty | Validity: | | Price |
|--------|-----------|------------------|------------------------------|------|-----------|----|-------|
| | | | | | From | To | |
| 0001 | CUVR49833 | | BALL BEARING SBPP 203 | 2,00 | 02/2004 | | -- |
| 0002 | RTRT00366 | | WHEEL D200 X CLT 40 | 2,00 | | | -- |
| 0003 | LAFN35746 | | WHEELS AXLE LAV. E/B 450 | 1,00 | 02/2004 | | -- |
| 0004 | LAFN04169 | | BUSHING ASSE RUOTE EXTREME | 2,00 | 02/2004 | | -- |
| 0005 | VTVT00842 | | SCREW | 4,00 | | | -- |
| 0006 | VTRS13947 | | WASHER D. 8 INX UNI 6592 | 4,00 | 02/2004 | | -- |
| 0007 | VTDD01695 | | NUT M 8 INX | 4,00 | 02/2004 | | -- |
| 0008 | VTVT00666 | | SCREW TBEI M. 8-10 INOX | 2,00 | 02/2004 | | -- |
| 0009 | VTRS13946 | | WASHER D. 8 X24 INX UNI 6593 | 2,00 | 02/2004 | | -- |



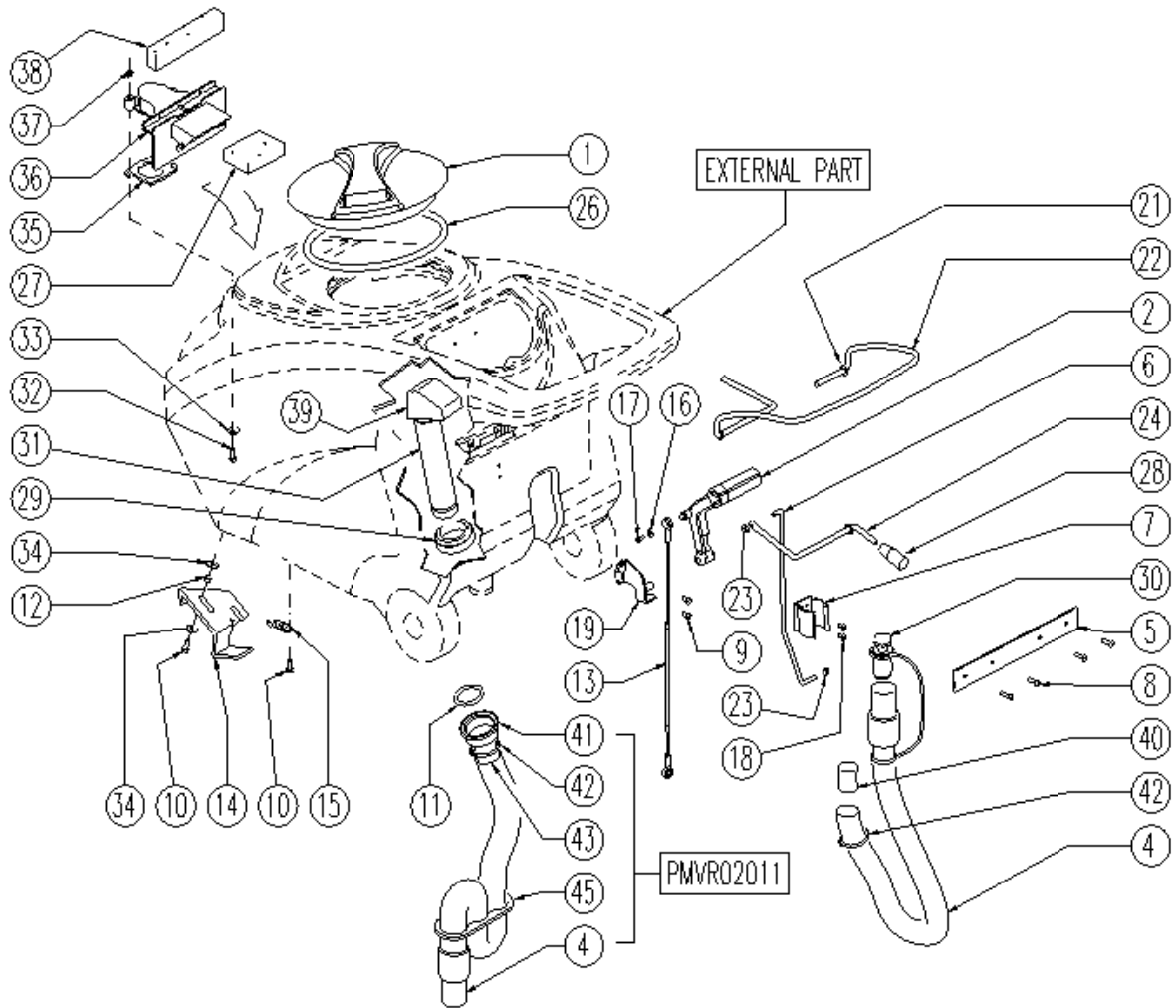
| Ref. K | Part N. | Customer Part N. | Description | Qty | Validity: | | Price |
|--------|-----------|------------------|---------------------------------|------|-----------|----|-------|
| | | | | | From | To | |
| 0002 | MICT00147 | | CARTON IMBALLO RULLI | 1,00 | | | -- |
| 0004 | VTVT00043 | | SCREW AUTOF.LEGNO 4,5X25 TS BR | 9,00 | | | -- |
| 0005 | MIVR00137 | | CLAMP RUOTA POSTERIORE X IMBAL. | 1,00 | | | -- |
| 0007 | MIBA00077 | | PALLET RULLI | 1,00 | | | -- |
| 0008 | MIVR00135 | | CLAMP RUOTA POSTERIORE X IMBAL. | 2,00 | | | -- |



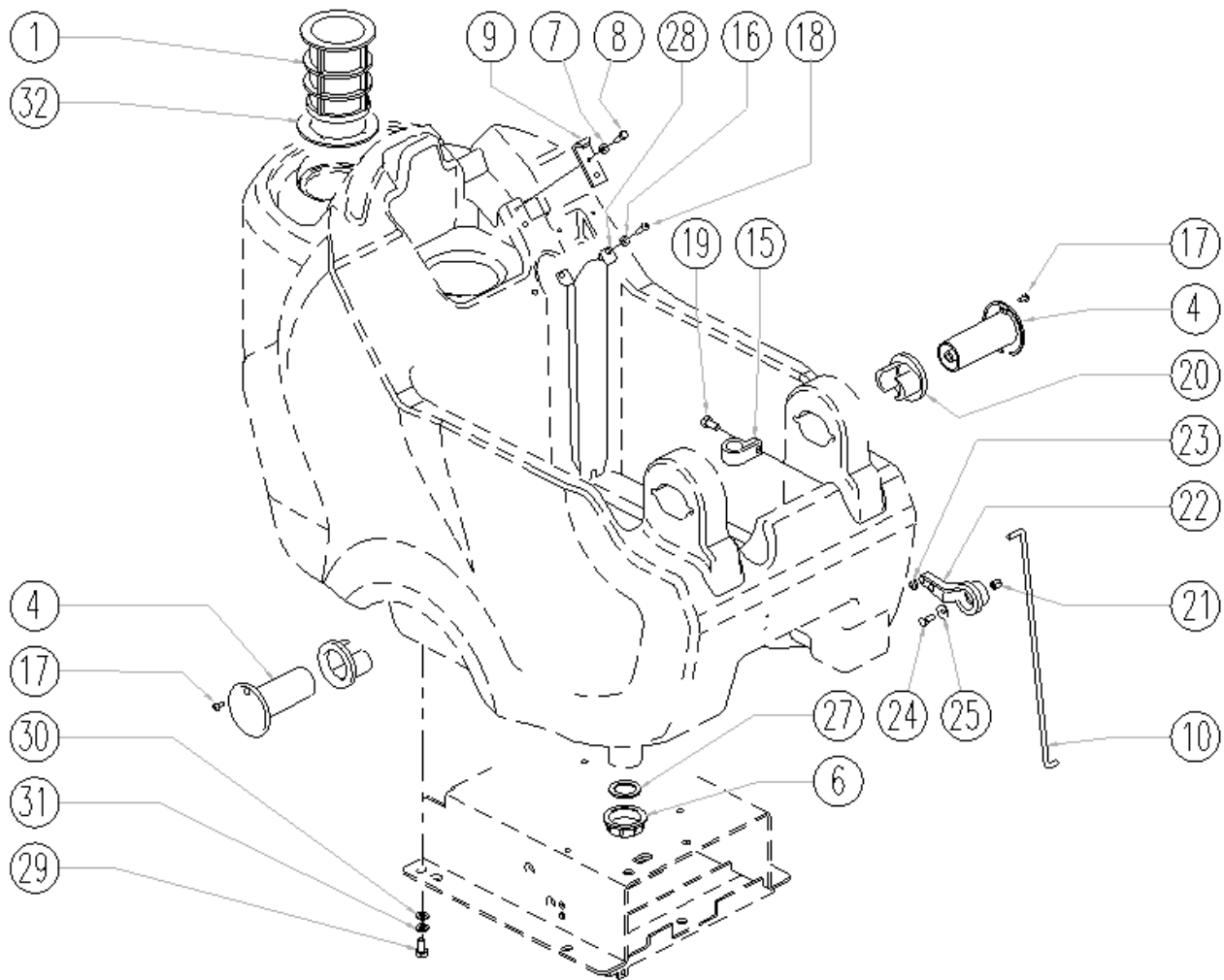
| Ref. K | Part N. | Customer Part N. | Description | Qty | Validity: | | Price |
|--------|-----------|------------------|----------------------------------|------|-----------|----|-------|
| | | | | | From | To | |
| 0001 | VTVT01004 | | SCREW TC+ M4 X 10 TRILOBATA | 2,00 | | | -- |
| 0002 | VTRS13946 | | WASHER D. 8 X24 INX UNI 6593 | 1,00 | | | -- |
| 0003 | RTRT43370 | | CASTER D.100 2V. | 1,00 | | | -- |
| 0004 | LAFN03915 | | BUSHING NUOVO RUOTINO STRONG | 1,00 | | | -- |
| 0005 | VTVT17349 | | SCREW TCEI M 8X30 | 1,00 | | | -- |
| 0007 | VTVT00659 | | SCREW TC+ M. 4-15 | 2,00 | | | -- |
| 0008 | VTDD01695 | | NUT M 8 INX | 1,00 | | | -- |
| 0009 | LAFN05854 | | PLATE SOSTEGNO RIDUTTORE | 1,00 | | | -- |
| 0010 | VTDD15518 | | NUT M 6 INX | 2,00 | | | -- |
| 0011 | LAFN05899 | | SUPPORT BRACKET CARTER 1 EXTREME | 1,00 | | | -- |
| 0012 | VTVT15143 | | SCREW TE 6X16 UNI5739 | 2,00 | | | -- |
| 0013 | VTVT00889 | | SCREW TCEI M. 8-45 | 1,00 | | | -- |
| 0014 | LAFN35753 | | SPACER D. 9.6-12 L=24 | 1,00 | | | -- |
| 0015 | VTRS13947 | | WASHER D. 8 INX UNI 6592 | 2,00 | | | -- |
| 0016 | LAFN04039 | | THICKNESS | 1,00 | | | -- |



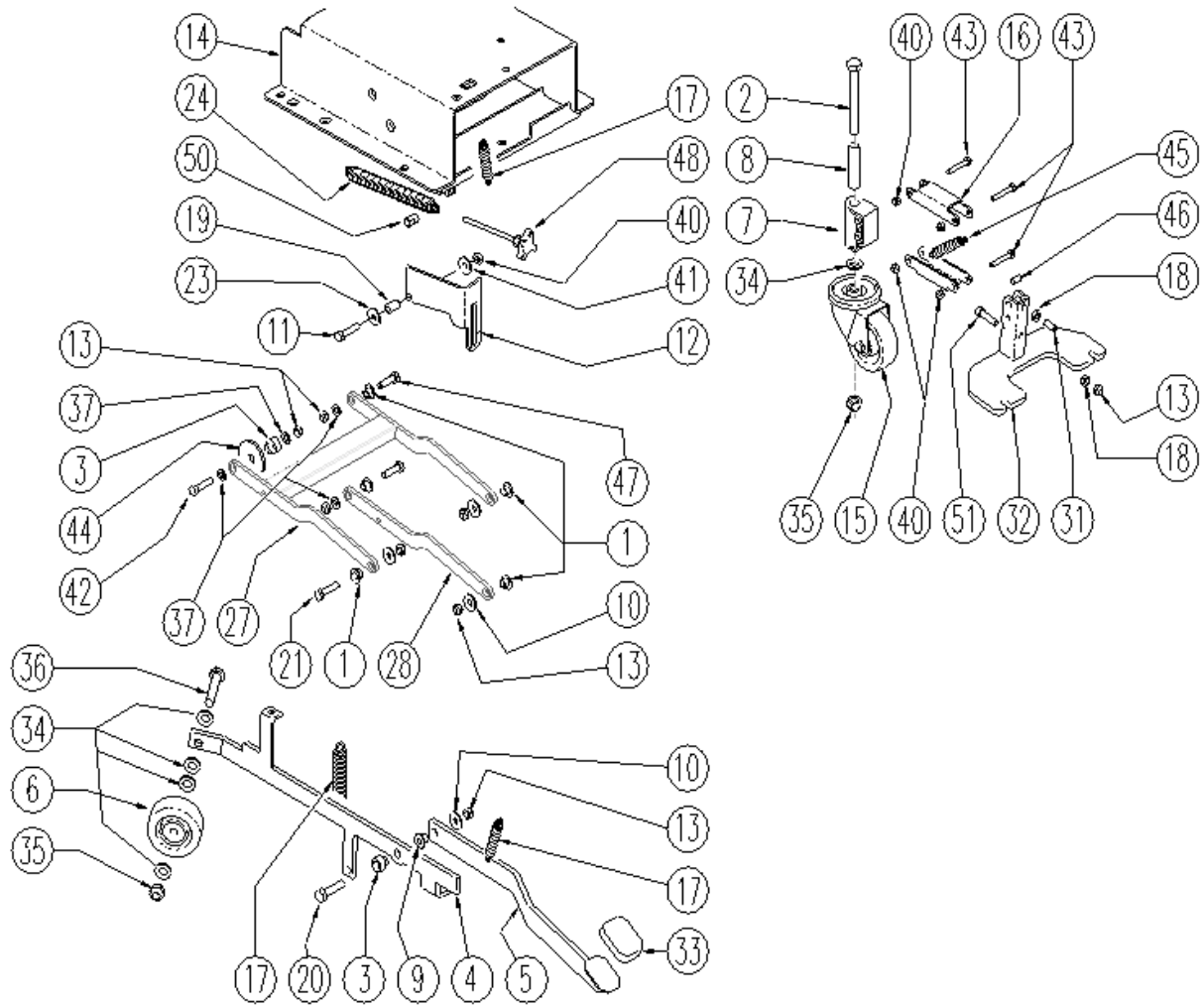
| Ref. K | Part N. | Customer Part N. | Description | Qty | Validity: | | Price |
|--------|-----------|------------------|--------------------------------|------|-----------|----|-------|
| | | | | | From | To | |
| 0002 | FSVR00091 | | CLAMP 14-24 | 4,00 | | | -- |
| 0003 | MLML00002 | | SPRING PRESTOLA DOPPIA 8P | 2,00 | | | -- |
| 0004 | VTRS00515 | | WASHER D. 4 INX | 2,00 | | | -- |
| 0005 | MEEV00018 | | SOLENOID VALVE | 1,00 | | | -- |
| 0006 | VTRS00516 | | WASHER D. 5 INX | 2,00 | | | -- |
| 0007 | VTVT48694 | | SCREW TCB TC 5 X12 UNI 9707 TZ | 2,00 | | | -- |
| 0008 | RCVR00536 | | CONNECTOR PORTAG. | 1,00 | | | -- |
| 0009 | RCGR00065 | | TAP F/F 1/2" | 1,00 | | | -- |
| 0010 | FTAC00036 | | FILTER IN RETE | 1,00 | | | -- |
| 0011 | RCDS49622 | | CONNECTOR OCC 1/2 - 1/2M | 1,00 | | | -- |
| 0012 | GUVR00213 | | WASHER GOMMA | 2,00 | | | -- |
| 0013 | RCDS00026 | | SCREW - | 1,00 | | | -- |
| 0014 | LAFN05902 | | LEVER RUBINETTO | 1,00 | | | -- |
| 0015 | VTRS00251 | | WASHER 4-16 INOX A2 | 1,00 | | | -- |
| 0016 | VTVT00633 | | SCREW | 1,00 | | | -- |
| 0017 | TBFX49101 | | TUBE FLEX D.34 CPL.SHK | 1,00 | | | -- |
| 0018 | GUGO00268 | | GASKET D.21 SP.3 GOMMA | 1,00 | | | -- |
| 0019 | RCVR00353 | | CAP 1/2"G X ELETTROV. ACL | 1,00 | | | -- |
| 0022 | MECB00916 | | WIRING PEDALE ACCEL.P160 | 1,00 | | | -- |



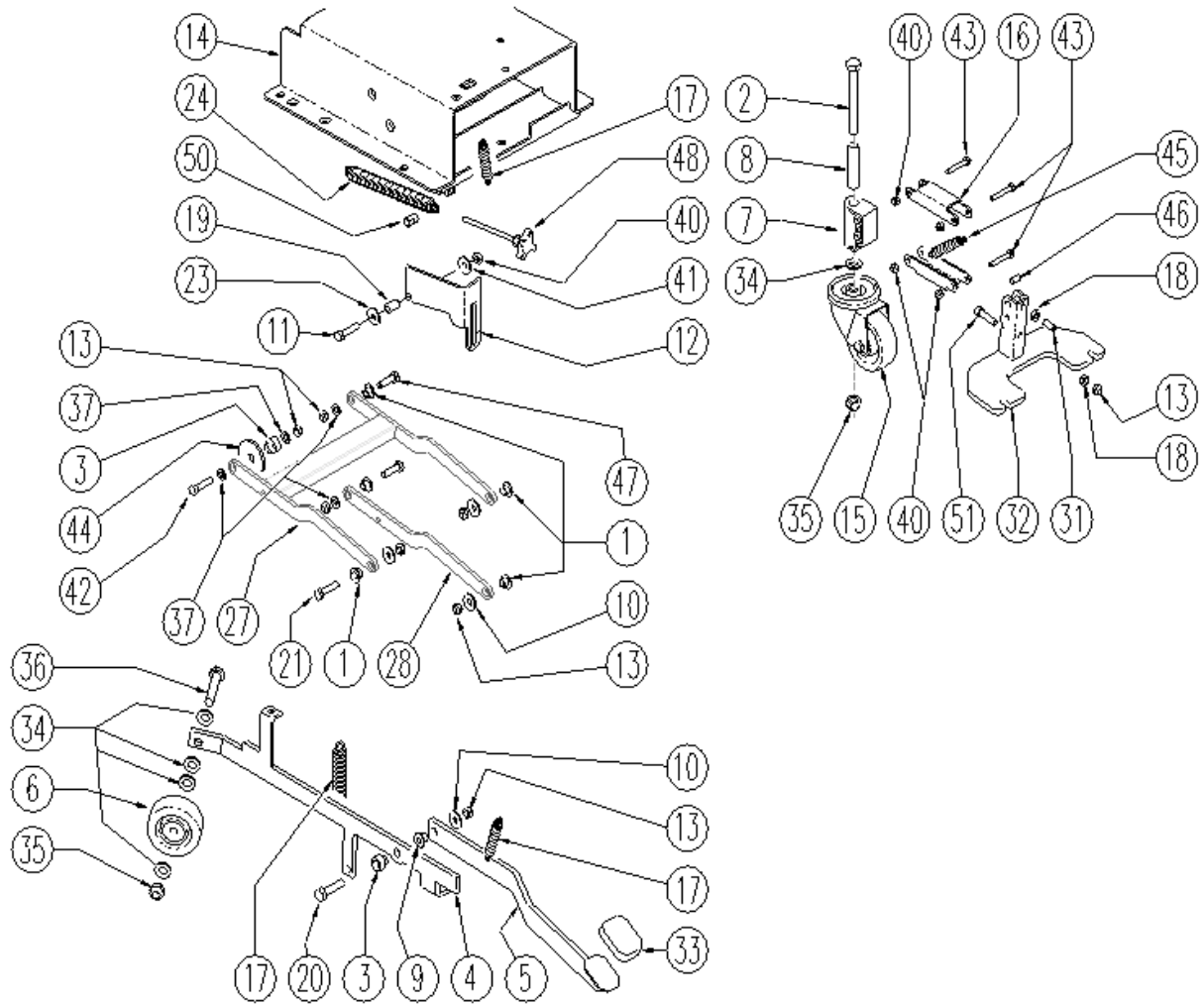
| Ref. | K | Part N. | Customer Part N. | Description | Qty | Validity: From To | Price |
|------|---|-----------|------------------|---------------------------------|------|----------------------|-------|
| 0001 | | MPVR04051 | | TANK CAP | 1,00 | | -- |
| 0002 | | MPVR49942 | | LEVER SHK PP | 1,00 | | -- |
| 0004 | | TBFX00214 | | TUBE SCARICO | 2,00 | | -- |
| 0005 | | LAFN05865 | | PLATE COPRILEVA CONSENSO | 1,00 | | -- |
| 0006 | | LAFN05863 | | ROD RUBINETTO | 1,00 | | -- |
| 0007 | | MPVR46988 | | CLIP LAV. SHK | 1,00 | | -- |
| 0008 | | VTVT00651 | | SCREW TBEI M. 5x16 INOX | 4,00 | | -- |
| 0009 | | VTVT00640 | | SCREW TBEI M 6-12 INOX | 2,00 | | -- |
| 0010 | | VTVT00787 | | SCREW TBEI M 6-16 | 3,00 | 05/2006 | -- |
| 0011 | | GUGO00292 | | GASKET OR 6162 | 1,00 | | -- |
| 0013 | | CMCV00312 | | CABLE SOLLEVAMENTO SQUEEGEE | 1,00 | | -- |
| 0016 | | VTRS00251 | | WASHER 4-16 INOX A2 | 1,00 | | -- |
| 0017 | | VTVT00800 | | SCREW TC 4X12 ZN | 1,00 | | -- |
| 0018 | | VTVT21096 | | SCREW TE M 4X 10 INX | 2,00 | | -- |
| 0019 | | LAFN05870 | | BRACKET LEVA SOLLEVAM. SQUEEGEE | 1,00 | | -- |
| 0020 | | PMVR02012 | | GROUP TUBO TUBO INT. P197 | 1,00 | | -- |
| 0021 | | VTRS13947 | | WASHER D. 8 INX UNI 6592 | 2,00 | | -- |
| 0022 | | LAFN05861 | | LEVER CONSENSO SPAZZOLE | 1,00 | | -- |
| 0023 | | VTDD01694 | | NUT M 6 INX | 2,00 | | -- |
| 0024 | | LAFN05908 | | ROD COMANDO RUBINETTO | 1,00 | | -- |
| 0026 | | GUGO00263 | | GASKET CIRCOLARE TAPPO | 1,00 | | -- |
| 0027 | | FTDP00133 | | FILTER ASPIRAZIONE ALLUNG. | 1,00 | | -- |
| 0028 | | MPVR04146 | | KNOB IN PVC MOD. 1001 FORO D.6 | 1,00 | | -- |
| 0030 | | MPVR05064 | | CAP COMPLETO | 1,00 | | -- |
| 0031 | | MPVR51086 | | TUBE INT.SERB.RECUP. | 1,00 | | -- |
| 0032 | | VTVT00814 | | SCREW TE M.4-25 | 2,00 | | -- |
| 0033 | | VTRS00515 | | WASHER D. 4 INX | 2,00 | | -- |
| 0034 | | VTRS00274 | | WASHER NYLON 66 D.8,4-17-2 UNI | 4,00 | | -- |
| 0035 | | GUGO00417 | | GASKET SCATOLA ASPIRAZIONE | 1,00 | | -- |
| 0036 | | FTDP00185 | | BOX ASPIRAZIONE | 1,00 | | -- |
| 0037 | | VTDD15925 | | NUT M 4 INX | 2,00 | | -- |
| 0038 | | GUGO00418 | | GASKET CONDOTTO ASPIRAZIONE | 1,00 | | -- |
| 0039 | | PMVR01129 | | GROUP tubo tigr.d.50 p185 | 1,00 | 05/2006 | -- |
| 0040 | | GUGO00245 | | GASKET | 1,00 | 05/2006 | -- |
| 0041 | | RCVR00504 | | CONNECTOR DRITTO FEMM. | 1,00 | | -- |
| 0042 | | FSVR43136 | | CLAMP D. 35-40 DF. | 1,00 | | -- |
| 0043 | | MPVR02765 | | PROTECTION INNESTO FISSAGGIO | 1,00 | | -- |
| 0045 | | MPVR02730 | | PLATE SIFONE | 1,00 | | -- |



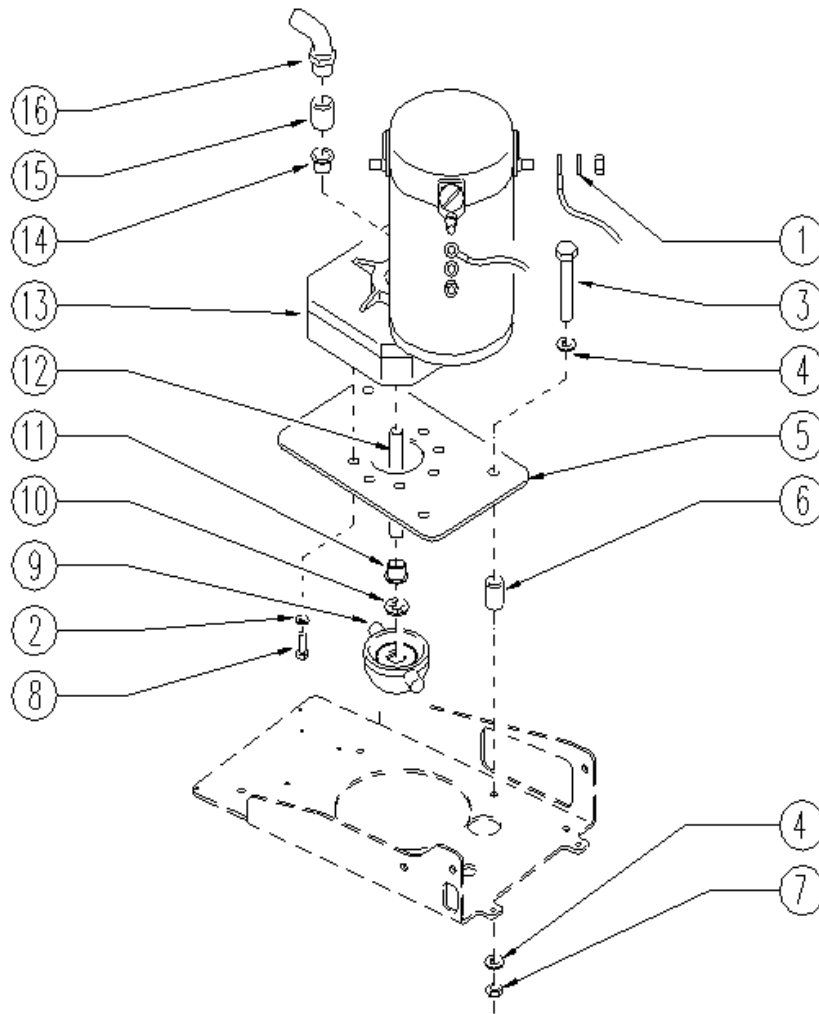
| Ref. K | Part N. | Customer Part N. | Description | Qty | Validity: | | Price |
|--------|-----------|------------------|--------------------------------|------|-----------|----|-------|
| | | | | | From | To | |
| 0001 | FTAC48857 | | FILTER ASP. ACQUA SERB. LAVAP. | 1,00 | | | -- |
| 0004 | MPVR48695 | | PIN SHK.BK | 2,00 | | | -- |
| 0006 | MPVR04931 | | CAP SCARICO | 1,00 | | | -- |
| 0007 | VTRS15144 | | WASHER D. 6 INX GRW UNI 1751 | 1,00 | | | -- |
| 0008 | VTVT01303 | | SCREW TE M6-10 INOX | 1,00 | | | -- |
| 0010 | LAFN05862 | | ROD RUBINETTO | 1,00 | | | -- |
| 0015 | FSVR00099 | | CLAMP FERMATUBO | 2,00 | | | -- |
| 0016 | VTRS00515 | | WASHER D. 4 INX | 2,00 | | | -- |
| 0017 | VTVT00754 | | SCREW TC+ M. 4-10 | 2,00 | | | -- |
| 0018 | VTVT37012 | | SCREW M 4X 10 TCB-TC INX | 2,00 | | | -- |
| 0019 | VTVT15961 | | SCREW M 5X 16 TCB TC UNI 7687 | 1,00 | | | -- |
| 0020 | PMVR02028 | | RUBBER GRUPPO MONTAGGIO | 2,00 | | | -- |
| 0021 | VTVR48693 | | INSERT M6 D.9 | 1,00 | | | -- |
| 0022 | MPVR49471 | | LEVER SHK | 1,00 | | | -- |
| 0024 | VTVT15143 | | SCREW TE 6X16 UNI5739 | 1,00 | | | -- |
| 0025 | VTRS13945 | | WASHER D. 6X18 INX UNI 6593 | 1,00 | | | -- |
| 0027 | GUGO00416 | | GASKET TAPPO SCARICO SERB. | 1,00 | | | -- |
| 0028 | MPVR51085 | | FLAP POSTER.TERGI 950 MAGG. | 1,00 | | | -- |
| 0029 | VTVT15916 | | SCREW TE M 8X 16 UNI 5739 A2 | 4,00 | | | -- |
| 0030 | VTRS13947 | | WASHER D. 8 INX UNI 6592 | 4,00 | | | -- |
| 0031 | VTRS00269 | | WASHER D. 8 DIN 6798-A INX A2 | 4,00 | | | -- |
| 0032 | GUGO00267 | | GASKET FILTRO | 1,00 | | | -- |



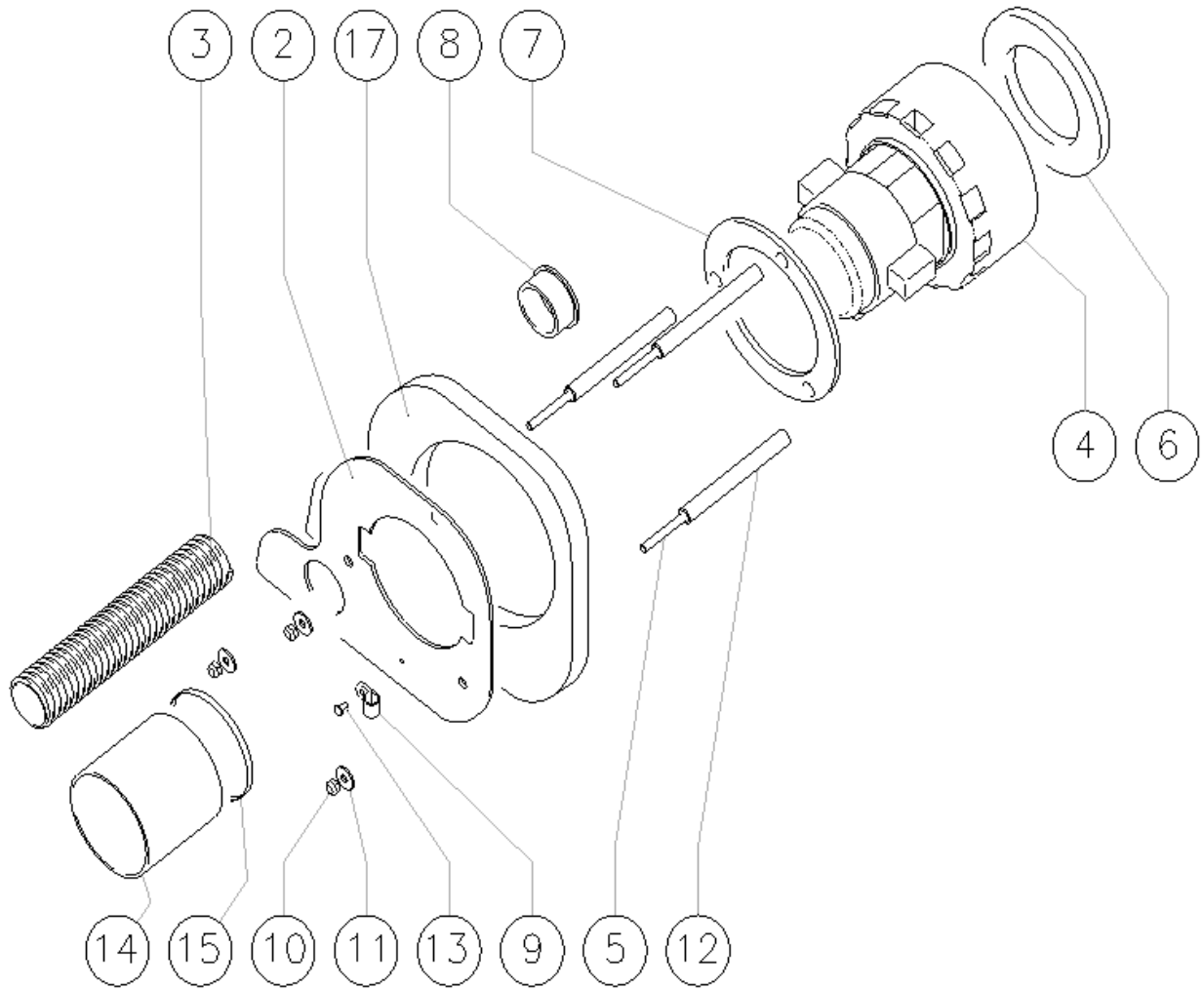
| Ref. K | Part N. | Customer Part N. | Description | Qty | Validity: | | Price |
|--------|-----------|------------------|------------------------------------|------|-----------|----|-------|
| | | | | | From | To | |
| 0001 | LAFN06391 | | BUSHING PARALLELOGRAMMA | 5,00 | | | -- |
| 0002 | VTVT24212 | | SCREW TE M.12-100 UNI 5737 INOX | 1,00 | | | -- |
| 0003 | LAFN04190 | | BUSHING PARALLELOGR.TEST.GR. | 2,00 | | | -- |
| 0004 | LAFN06359 | | LEVER SOLLEVAMENTO | 1,00 | | | -- |
| 0005 | LAFN06399 | | LEVER SOLLEVAMENTO TESTATA | 1,00 | | | -- |
| 0006 | RTRT49171 | | CASTER D. 80-12 | 1,00 | | | -- |
| 0007 | MPVR04734 | | BLOCK TERGI | 1,00 | | | -- |
| 0008 | LAFN04188 | | PIN ROTAZIONE SQUEEGEE | 1,00 | | | -- |
| 0009 | LAFN51068 | | BUSHING LEVA POSTER. | 1,00 | | | -- |
| 0010 | VTRS13946 | | WASHER D. 8 X24 INX UNI 6593 | 4,00 | | | -- |
| 0012 | LAFN10124 | | PLATE | 1,00 | | | -- |
| 0013 | VTDD01695 | | NUT M 8 INX | 8,00 | | | -- |
| 0014 | LAFN06354 | | BASE SERBATOIO | 1,00 | | | -- |
| 0015 | RTRT00276 | | SMALL WHEEL GIREVOLE PER SPAZZANTE | 1,00 | | | -- |
| 0016 | LAFN05853 | | LEVER ARM SOLLEVAMENTO TERGI | 2,00 | | | -- |
| 0017 | MLML34726 | | SPRING TR E350 N | 2,00 | | | -- |
| 0018 | VTDD15521 | | NUT M 8 INX A2 UNI 5588 | 2,00 | | | -- |
| 0019 | LAFN03840 | | BUSHING | 1,00 | | | -- |
| 0020 | VTVT15917 | | SCREW TE M 8X50 INOX A2 UNI | 1,00 | | | -- |
| 0021 | VTVT15907 | | SCREW TE 8X25 UNI5739 INX | 3,00 | | | -- |
| 0023 | VTRS00274 | | WASHER NYLON 66 D.8,4-17-2 UNI | 1,00 | | | -- |
| 0024 | MLML31130 | | SPRING D. 17.5 X110 N38 | 1,00 | | | -- |
| 0026 | VTDD15925 | | NUT M 4 INX | 1,00 | | | -- |
| 0027 | LAFN06388 | | ARM TESTATA SUPERIORE | 1,00 | | | -- |
| 0028 | LAFN06389 | | ARM PARALLELOGRAMMA | 1,00 | | | -- |
| 0031 | VTVT00908 | | GRUB SCREW M.8-25 PIANO | 1,00 | | | -- |
| 0032 | LAFN06355 | | PLATE SQUEEGEE | 1,00 | | | -- |
| 0033 | MPVR04139 | | RUBBER PEDALINO | 1,00 | | | -- |
| 0034 | VTRS00312 | | WASHER D.13 x24 INOX | 5,00 | | | -- |
| 0035 | VTDD00176 | | NUT M.12 INOX A2 BASSO | 2,00 | | | -- |
| 0036 | VTVT00836 | | SCREW TE M12-60 INOX | 1,00 | | | -- |
| 0037 | VTRS13947 | | WASHER D. 8 INX UNI 6592 | 4,00 | | | -- |
| 0040 | VTDD01694 | | NUT M 6 INX | 5,00 | | | -- |
| 0041 | VTRS00245 | | WASHER D.6 UNI 6592 INOX | 1,00 | | | -- |
| 0042 | VTVT00410 | | SCREW TE M8x35 UNI5739 INOX | 1,00 | | | -- |
| 0043 | VTVT15145 | | SCREW TE 6X40 UNI5739 INX | 4,00 | | | -- |
| 0044 | MPVR05134 | | GASKET D.60 FORO D.12 SP.2 | 1,00 | | | -- |
| 0045 | MLML00303 | | SPRING REGISTRAZIONE FLAP | 1,00 | | | -- |
| 0046 | LAFN03742 | | SPACER SILENZIATORE | 1,00 | | | -- |



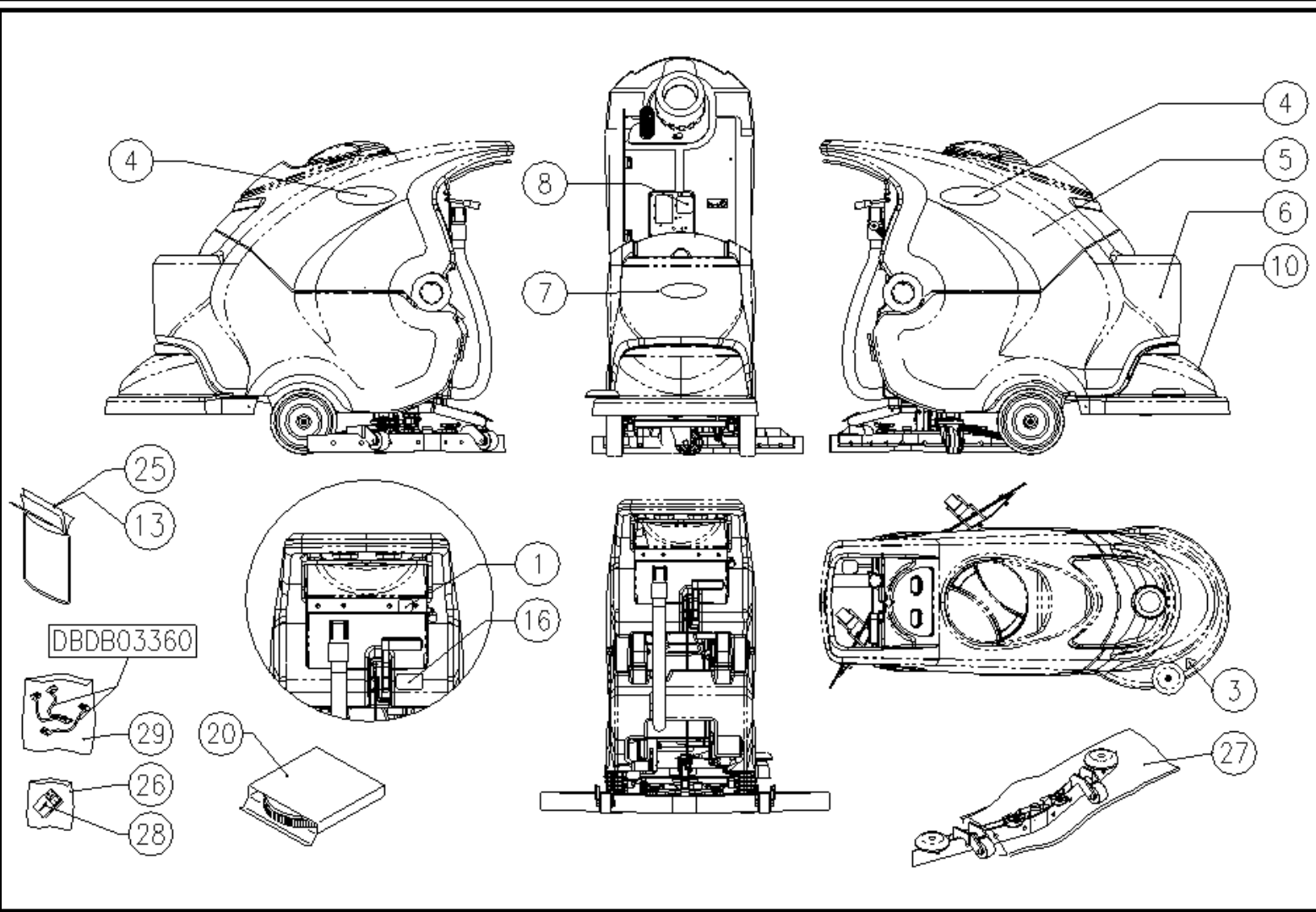
| Ref. K | Part N. | Customer Part N. | Description | Qty | Validity: | | Price |
|--------|-----------|------------------|-------------------------------|------|-----------|----|-------|
| | | | | | From | To | |
| 0047 | VTVT13937 | | SCREW TE M 8X 30 INX UNI 5739 | 2,00 | | | -- |
| 0048 | VTVR35749 | | HANDWHEEL M 6MAX110 D.35 | 1,00 | | | -- |
| 0050 | LAFN35747 | | SPRING SUPPORT LAV. E/B 450 | 1,00 | | | -- |
| 0051 | VTVT00822 | | SCREW TCEI M 8-30 | 1,00 | | | -- |



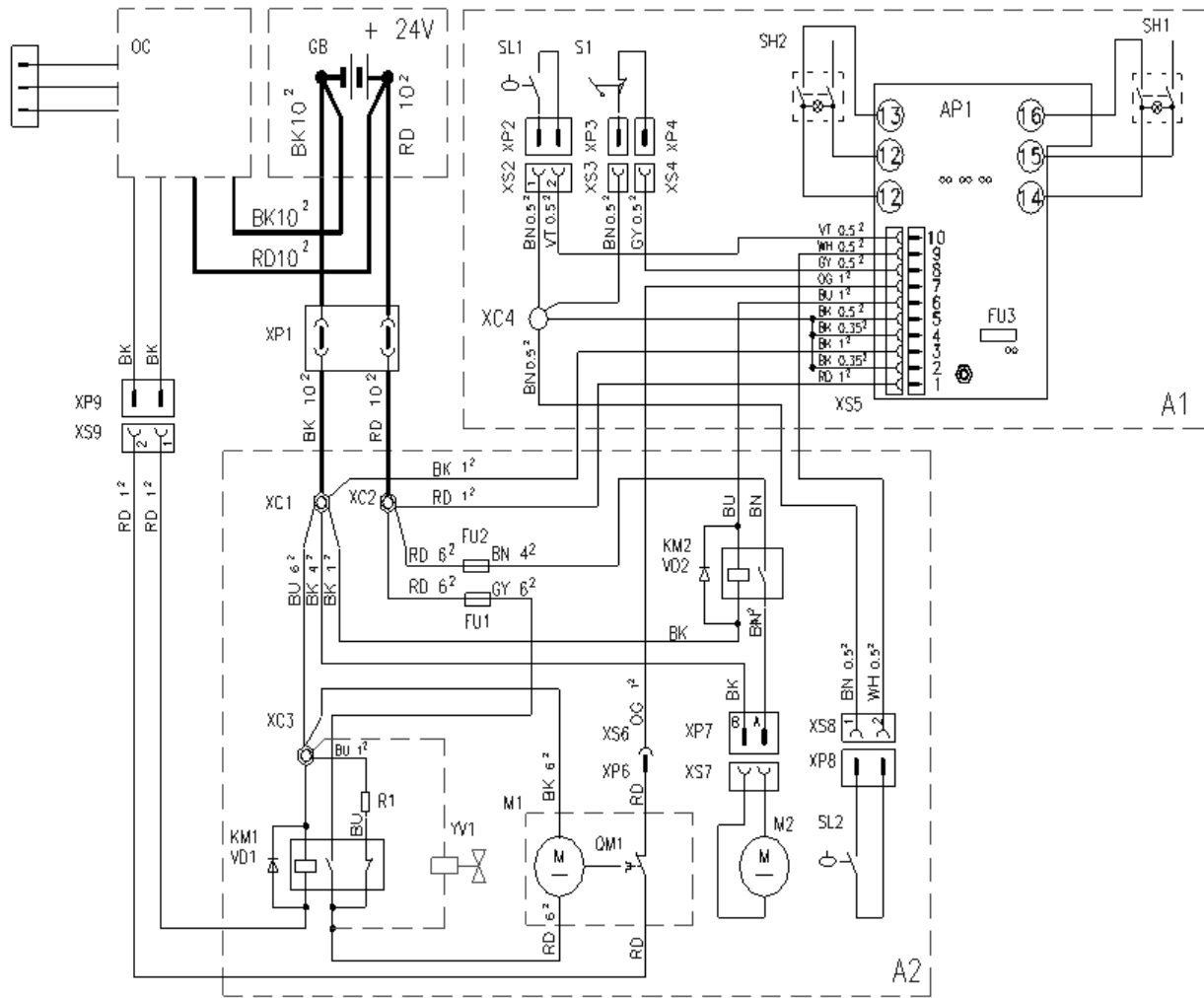
| Ref. K | Part N. | Customer Part N. | Description | Qty | Validity: | | Price |
|--------|-----------|------------------|-----------------------------------|-------|-----------|----|-------|
| | | | | | From | To | |
| 0001 | VTRS15144 | | WASHER D. 6 INX GRW UNI 1751 | 10,00 | | | -- |
| 0003 | VTVT13937 | | SCREW TE M 8X 30 INX UNI 5739 | 4,00 | | | -- |
| 0004 | VTRS13947 | | WASHER D. 8 INX UNI 6592 | 4,00 | | | -- |
| 0005 | LAFN05920 | | FLANGE RIDUTTORE | 1,00 | | | -- |
| 0006 | RCDS34717 | | BUSHING D. 9X12X 8.3 | 4,00 | | | -- |
| 0007 | VTDD01695 | | NUT M 8 INX | 4,00 | | | -- |
| 0008 | VTVT15906 | | SCREW TE 6X 12 A2 UNI 5739 | 8,00 | | | -- |
| 0009 | MFVR00134 | | DRIVE DISK SPAZZOLE | 1,00 | | | -- |
| 0010 | MPVR02997 | | CLIP ANELLO X PERNO D10 | 1,00 | | | -- |
| 0011 | CUVR43254 | | BUSHING CB 85 1010 18T | 1,00 | | | -- |
| 0012 | LAFN04202 | | TUBE SOLUZIONE INOX D10 | 1,00 | | | -- |
| 0014 | CUVR43254 | | BUSHING CB 85 1010 18T | 1,00 | | | -- |
| 0015 | LAFN51028 | | BUSHING | 1,00 | | | -- |
| 0016 | RCVR45752 | | HOSE FITTING "L" 3/8M - D.10 PLS. | 1,00 | | | -- |



| Ref. K | Part N. | Customer Part N. | Description | Qty | Validity: From To | Price |
|--------|-----------|------------------|------------------------------|------|----------------------|-------|
| 0002 | LAFN06363 | | FLANGE ASPIRATORE | 1,00 | | -- |
| 0003 | TBFX00244 | | TUBE D 34 L200MM | 1,00 | | -- |
| 0004 | MOCC00253 | | MOTOR ASPIR.BIST.24V | 1,00 | | -- |
| 0005 | VTVR00198 | | ROD | 3,00 | | -- |
| 0006 | GUGO00272 | | GASKET | 1,00 | | -- |
| 0007 | MPVR04724 | | FLANGE IN NYLON | 1,00 | | -- |
| 0008 | MPVR31077 | | BUSHING L.450 | 1,00 | | -- |
| 0009 | FSVR00099 | | CLAMP FERMATUBO | 1,00 | | -- |
| 0010 | VTDD01694 | | NUT M 6 INX | 3,00 | | -- |
| 0011 | VTRS13945 | | WASHER D. 6X18 INX UNI 6593 | 3,00 | | -- |
| 0012 | LAFN51078 | | SPACER SH | 3,00 | | -- |
| 0013 | VTVT00813 | | SCREW M 4X 8 TCB-TC UNI 8112 | 1,00 | | -- |
| 0014 | TBFX00268 | | SUCTION HOSE D80 L=80MM | 1,00 | | -- |
| 0015 | FSVR00500 | | CLAMP 80-100 INOX | 1,00 | | -- |
| 0017 | MPVR05103 | | SOUND-PROOFING ASPIRATORE | 1,00 | | -- |



| Ref. K | Part N. | Customer Part N. | Description | Qty | Validity: | | Price |
|--------|-----------|------------------|----------------------------|------|-----------|----|-------|
| | | | | | From | To | |
| 0003 | ETET01014 | | ADHESIVE ATTENZ.ABRAS.ARTI | 1,00 | | | -- |
| 0004 | ETET01364 | | LABEL LATERALE | 2,00 | | | -- |
| 0007 | ETET02000 | | LABEL LOGO IPC | 1,00 | | | -- |
| 0008 | ETET00763 | | LABEL SIMBOLO FUSIBILI | 1,00 | | | -- |
| 0010 | MPVR04722 | | ROLLER | 1,00 | | | -- |
| 0013 | PLDC01423 | | MANUAL | 1,00 | | | -- |
| 0016 | ETET01407 | | PLATE APERTURA SERBATOIO | 1,00 | | | -- |
| 0020 | SPPV43964 | | BRUSH NYL 0.8 530 | 1,00 | | | -- |
| 0025 | PLDC01450 | | MANUAL RIC. CLT40 | 1,00 | | | -- |
| 0026 | MIVR00072 | | ENVELOPE PLASTICA TRASP. | 1,00 | | | -- |
| 0027 | MIVR00048 | | TUBE UNIBOL | 1,00 | | | -- |
| 0028 | MEVR01079 | | CONNECTOR CARICABATT.ROSSO | 1,00 | | | -- |
| 0029 | MIVR00064 | | ENVELOPE PORTA CABLAGGI | 1,00 | | | -- |



| Ref. K | Part N. | Customer Part N. | Description | Qty | Validity: | | Price |
|--------|-----------|------------------|------------------------------------|------|-----------|----|-------|
| | | | | | From | To | |
| AP1 | MECE00398 | | BOARD EXTREME 24V | 1,00 | | | -- |
| FU1 | MEVR42990 | | FUSE 60A NST. | 1,00 | | | -- |
| FU2 | MEVR02887 | | FUSE 40A NST. | 1,00 | | | -- |
| FU3 | MEVR01428 | | FUSE A LAMA 2 A. UNIVAL | 1,00 | | | -- |
| KM1 | METT00056 | | CONTACTOR T-106 | 1,00 | | | -- |
| KM2 | MECE00139 | | RELAY POTENZA 24V | 1,00 | | | -- |
| M1 | PMVR00648 | | MOTOR.GEARBOX | 1,00 | | | -- |
| M2 | MOCC00253 | | MOTOR ASPIR.BIST.24V | 1,00 | | | -- |
| OC | BACA00096 | | BATTERY CHARGER230Vac/50Hz:24Vdc | 1,00 | | | -- |
| QM1 | METT00063 | | PROTECTION TERMICA | 1,00 | | | -- |
| R1 | MECE00391 | | RESISTANCE CORAZZATA | 1,00 | | | -- |
| S1 | MECI36393 | | MICROSWITCH TRZ. DRW | 1,00 | | | -- |
| SH1 | MECI00346 | | SWITCH TTR/L BIP. 24V | 1,00 | | | -- |
| SH2 | MECI00346 | | SWITCH TTR/L BIP. 24V | 1,00 | | | -- |
| VD1 | MECI00394 | | FUSE Thermic 0,5A code 16009 | 1,00 | | | -- |
| XC1 | MEVR01116 | | SUPPORT FUSIBILE 120 A | 1,00 | | | -- |
| XP1 | MEVR01079 | | CONNECTOR CARICABATT.ROSSO | 1,00 | | | -- |
| XP2 | MEVR01139 | | CONNECTOR 2 POS. M. | 1,00 | | | -- |
| XP3 | MEVR01157 | | CONNECTOR COPRI FASTON MASCHIO | 1,00 | | | -- |
| XP4 | MEVR01157 | | CONNECTOR COPRI FASTON MASCHIO | 1,00 | | | -- |
| XP6 | MEVR01442 | | JOINT CIL.FEMM. D.4 | 1,00 | | | -- |
| XP7 | MEVR01294 | | CONNECTOR STAGNO CPL 2M | 1,00 | | | -- |
| XP8 | MEVR01283 | | CONNECTOR STAGNO CPL 2M | 1,00 | | | -- |
| XP9 | MEVR01283 | | CONNECTOR STAGNO CPL 2M | 1,00 | | | -- |
| XS2 | MEVR01140 | | CONNECTOR 2 POS. F. | 1,00 | | | -- |
| XS3 | MEVR01156 | | FASTON COVER FEMMINA | 1,00 | | | -- |
| XS4 | MEVR01156 | | FASTON COVER FEMMINA | 1,00 | | | -- |
| XS5 | MECI00279 | | CONNECTOR MODU 10 VIE FEMMINA | 1,00 | | | -- |
| XS6 | MEVR01441 | | JOINT CIL. MASCHIO D.4 | 1,00 | | | -- |
| XS7 | MEVR01296 | | CONNECTOR STAGNO CPL 2F 28A | 1,00 | | | -- |
| XS8 | MEVR01284 | | CONNECTOR STAGNO CPL 2F | 1,00 | | | -- |
| XS9 | MEVR01284 | | CONNECTOR STAGNO CPL 2F | 1,00 | | | -- |
| YV1 | MEEV00016 | | SOLENOID VALVE 24V 14W DC 7250 169 | 1,00 | | | -- |