



IPC Integrated Professional Cleaning

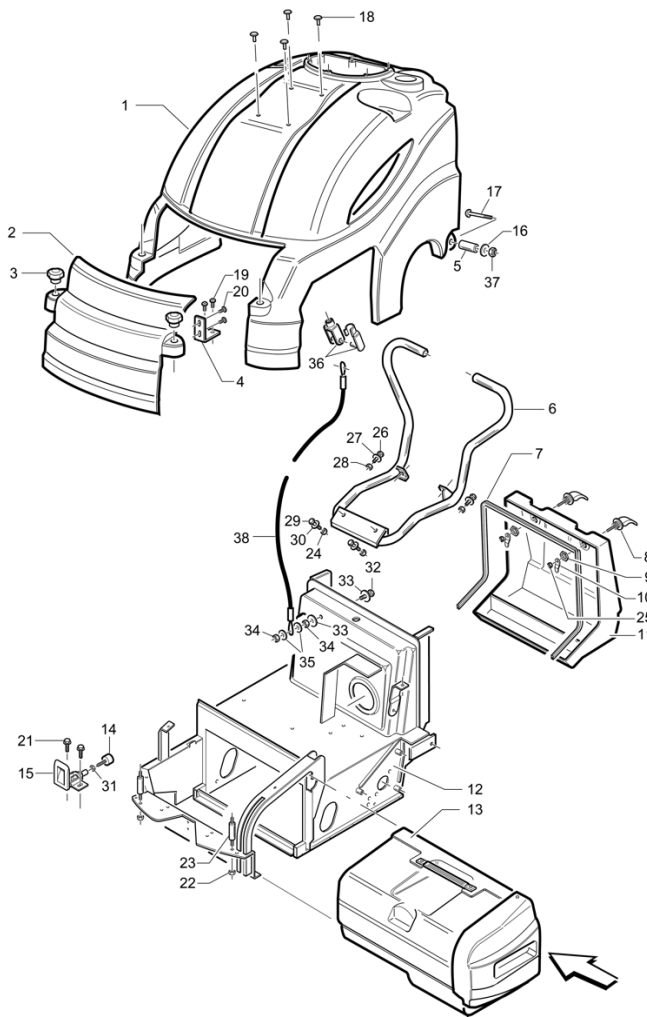
IPCGansow

Spare Parts List

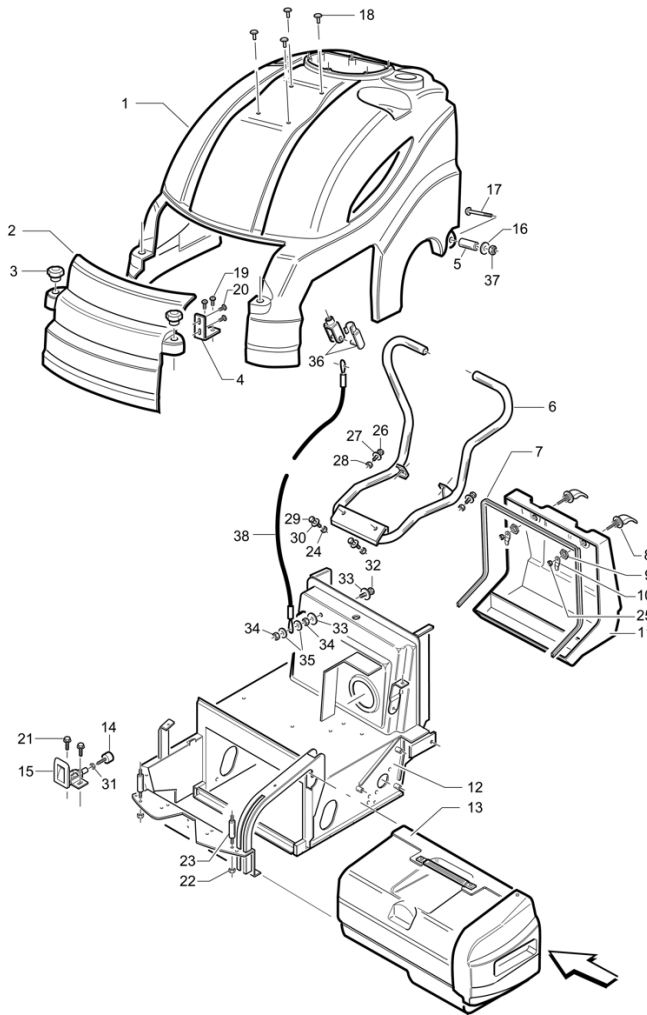
TAVERNARO AG

Ref: MSUT00584

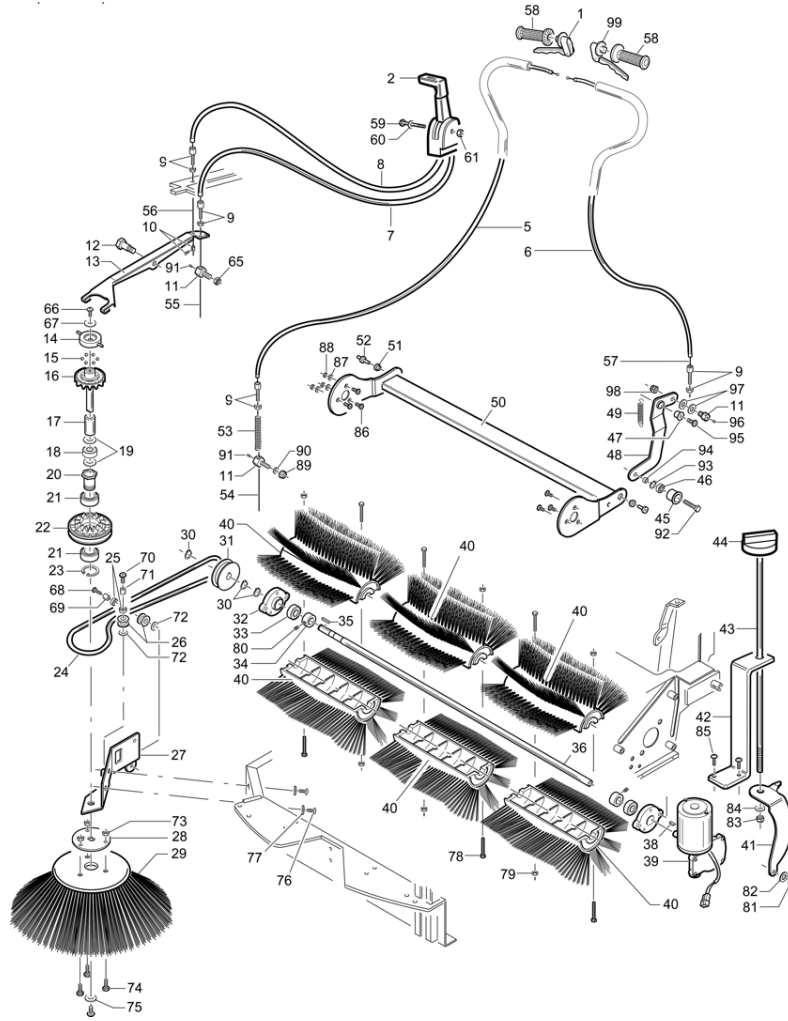
Model: Spazzatrice 712ET + SF + CARPET KIT IPC



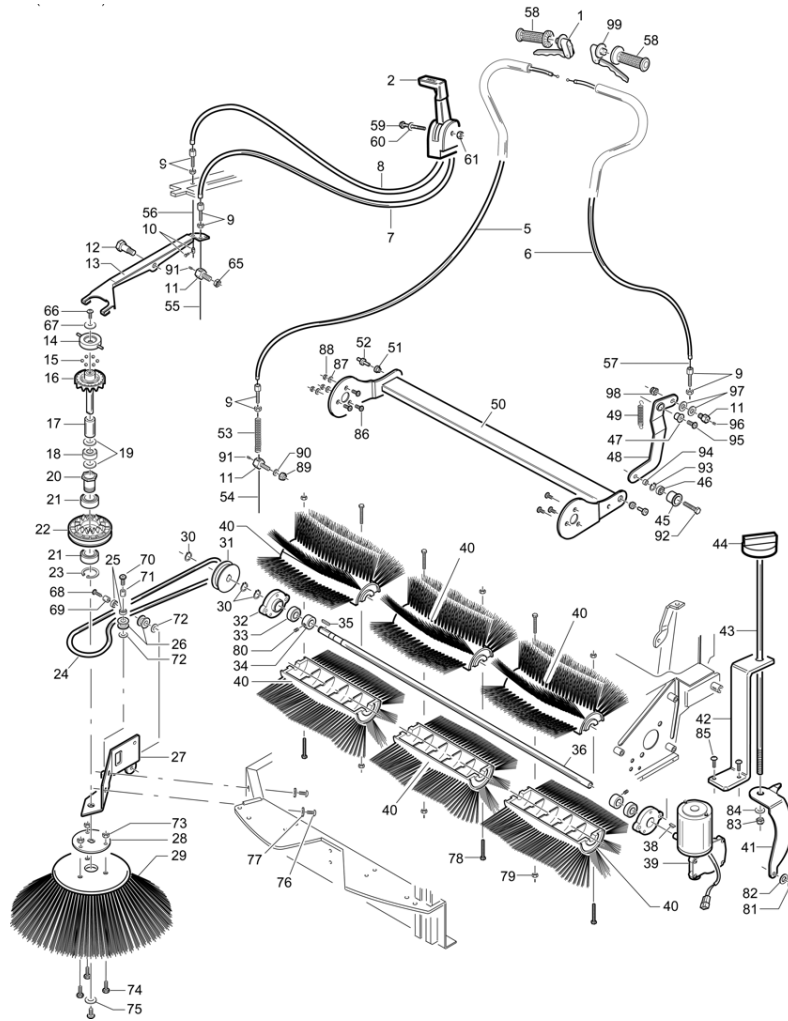
Ref. K	Part N.	Customer Part N.	Description	Qty	Validity:		Price
					From	To	
0001	MPVR05247		HOOD 712	1,00			--
0002	MPVR05249		SIDE PANEL 712	1,00			--
0003	RTRT00022		HANDWHEEL D.30 M6X15	2,00			--
0004	LAFN07287		BRACKET 512-712	2,00			--
0005	LAFN04043		SPACER D8.5-15	2,00			--
0006	LAFN07264		HANDLE 712	1,00			--
0007	GUGO00285		GASKET TK1320048	1,00			--
0008	PMVR00138		LOCK TEK	2,00			--
0009	LAFN00259		NUT CH.24 SERRATURA TEK	2,00			--
0010	LAFN00349		LEVER SERRATURA TEK ZINCATA	2,00			--
0011	MPVR00608		DRAWER POSTERIORE SILVER 710 GRI	1,00			--
0012	LAFN07283		FRAME 712	1,00			--
0013	PMVR01414		DRAWER ANTER. 512 COMPL.	1,00			--
0014	ABGO00048		VIBRATION DAMP.-	1,00	09/2008		--
0014	VTVR00038		FOOT D.30 M8	1,00		09/2008	--
0015	PMVR00141		LEVER CHIUSURA CASS.ANT.SILVER	1,00			--
0016	VTRS00512		WASHER D. 8 X24 ZC.	2,00			--
0017	VTVT01142		SCREW TTQS M8X89	2,00			--
0018	VTVT01305		SCREW M 8X 60 TTQST UNI 5731	2,00			--
0019	VTVT34115		SCREW TE M 5X 10 UNI 5739	4,00			--
0020	VTVT34115		SCREW TE M 5X 10 UNI 5739	4,00			--
0021	VTVT62920		SCREW TE F/ROND. M 6X 16 ZB	2,00			--
0022	VTDD00491		NUT M 6 TEF	2,00			--
0023	LAFN07271		PIN 512-712	2,00			--
0024	VTDD00483		NUT M 8 ZIN UNI 5588	4,00			--
0025	VTDD00057		NUT UNI 5589 M8 BASSO ZB	2,00			--
0026	VTVT00248		SCREW TE M&x45 UNI5739 8.8 ZNT	4,00			--
0027	VTRS04026		WASHER D. 6X18X2.38	4,00			--
0028	VTDD00491		NUT M 6 TEF	4,00			--
0029	VTVT00710		CARRYNG BAG	2,00			--
0030	VTRS00504		WASHER D. 8 TE ZC. UNI 6592	4,00			--
0031	VTDD00057		NUT UNI 5589 M8 BASSO ZB	1,00			--
0032	VTVT00448		SCREW TE 8X30 UNI5739	1,00			--
0033	VTRS00512		WASHER D. 8 X24 ZC.	2,00			--
0034	VTDD00041		SELF-LOCJ.NUT M 8 UNI7473 8.8 ZNT	2,00			--
0035	VTRS00512		WASHER D. 8 X24 ZC.	2,00			--
0036	CMCV00001		FORK UNI 1676 M8X16	1,00			--
0036	CMCV75718		CLIP UNI 1676 M8	1,00			--
0037	VTDD00041		SELF-LOCJ.NUT M 8 UNI7473 8.8 ZNT	2,00			--



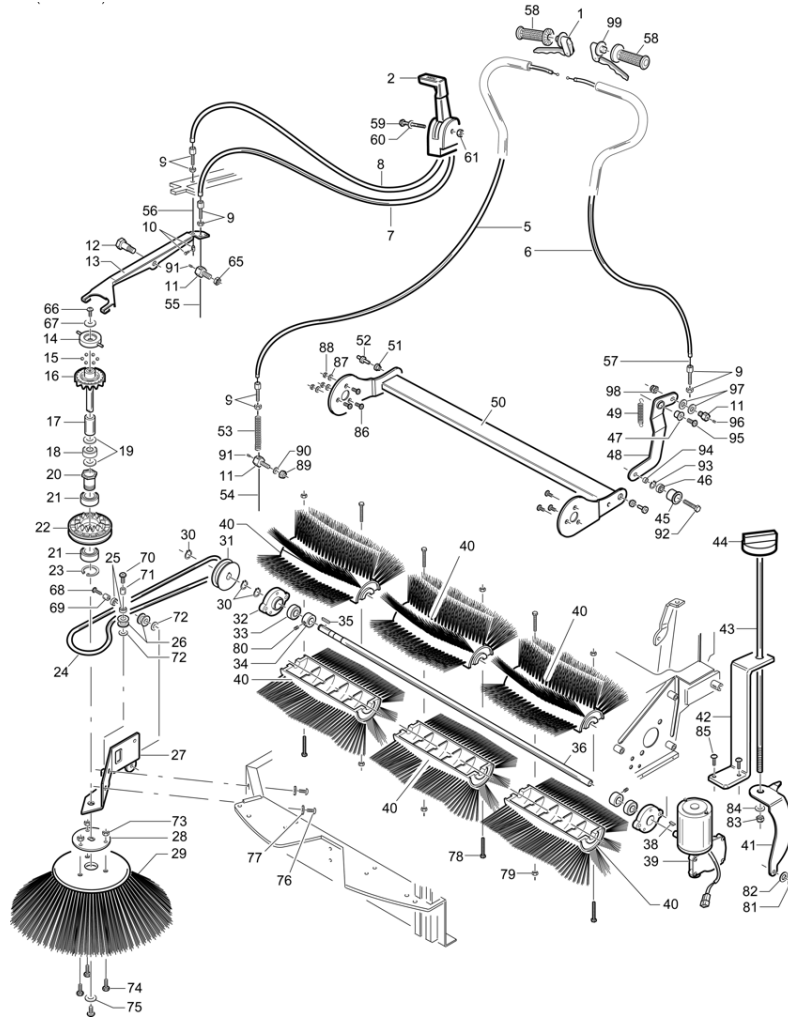
Ref. K	Part N.	Customer Part N.	Description	Qty	Validity:		Price
					From	To	
0038	CMCV00430		CABLE 512-712	1,00			--



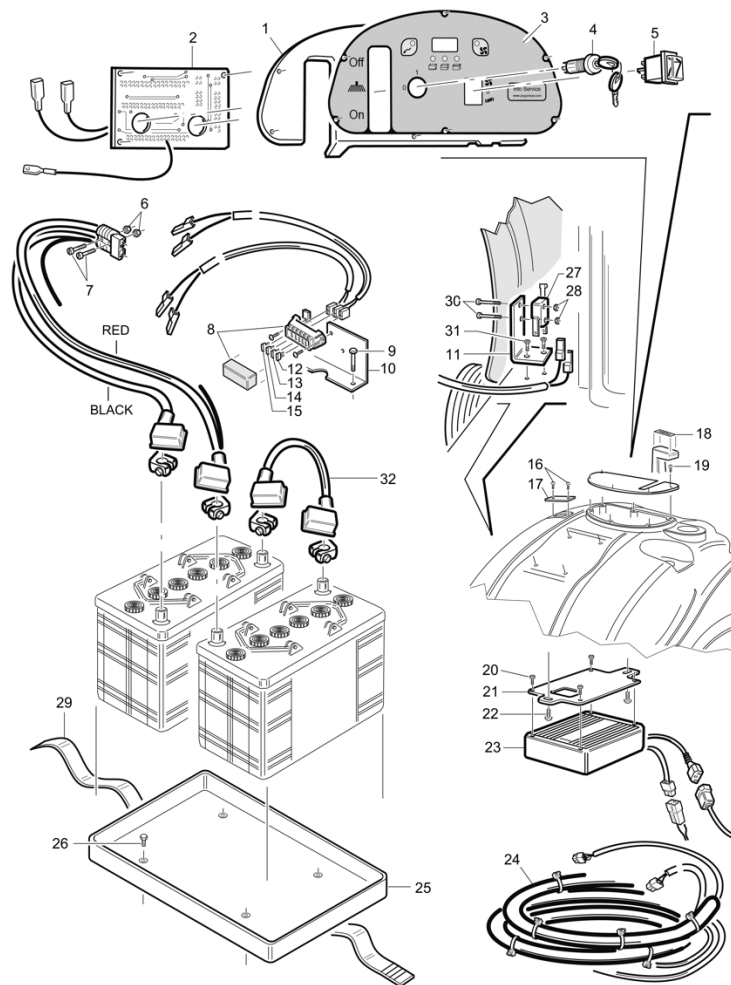
Ref. K	Part N.	Customer Part N.	Description	Qty	Validity:		Price
					From	To	
0001	PMTR00089		HANDLE	TRAZ.K E TK NUOVO MAN.COM	1,00		--
0002	LAFN75738		TRIGGER		1,00		--
0005	CMCV00345		SHEATH	512-712 UT	1,00		--
0006	CMCV00347		SHEATH	512-712 UT	1,00		--
0007	CMCV00351		SHEATH	512-712 UT	1,00		--
0008	CMCV00350		SHEATH	512-712 UT	1,00		--
0009	CMCV75723		REGISTER	D.7	4,00		--
0010	CMCV75737		CLAMP	D.7 art.857	1,00		--
0011	LAFN01068		SCREW	CH.17 H.28 FISSAGGIO FILO	3,00		--
0012	LAFN75968		PIN		1,00		--
0013	LAFN75953		LEVER		1,00		--
0014	LAFN75824		RING		1,00		--
0015	SFVR00002		BALL	11/32"	6,00		--
0016	LAFN75826		RING		1,00		--
0017	LAFN75912		SPACER		1,00		--
0018	CUVR37344		ROLLER BEARING	HK 1412	1,00		--
0019	VTRS75831		WASHER		2,00		--
0020	LAFN75833		BUSHING		1,00		--
0021	CUVR86893		BEARING	6005 2RS	2,00		--
0022	LAFN75827		RING		1,00		--
0023	VTAE09655		CIRCLIP	D. 25 UNI 7435	1,00		--
0024	MTCG85335		BELT	D. 8X1000	1,00		--
0025	CUVR75814		BEARING	HK1012	2,00		--
0026	MTPL75996		PULLEY	D.27x15	1,00		--
0027	LAFN76005		SUPPORT		1,00		--
0028	LAFN75986		FLANGE		1,00		--
0029	PMVR00248		SIDE-BRUSH	TK COMPLETA PPL 70	1,00		--
0030	VTAE17003		CIRCLIP	D. 15 UNI 7435	3,00		--
0031	MTPL00003		PULLEY	SPAZZOLA LATERALE D.17	1,00		--
0032	MPVR00830		SUPPORT	T.90 DX/SX(6 INS.)+CUSC.	2,00		--
0033	CUVR00008		BEARING	6003 2RS	2,00		--
0034	LAFN00258		SPACER	ALBERO SPAZZOLA TK700	2,00		--
0035	VTVR26559		KEY	5X5X15	1,00		--
0036	ALTR00010		BRUSH SHAFT	CENTRALA 711/721ET	1,00		--
0037	LAFN75971		PIN		1,00		--
0038	VTVR75730		KEY	UNI 6606 3 X 3,7	1,00		--
0039	MOC00005		MOTOR.GEARBOX	D.77 24V 210RPM BIG	1,00		--
0040	SPPV00044		CARRYNG BAG		3,00		--
0041	LAFN00342		BRACKET	REGOL.SPAZ.CENTR.TKE ZINC	1,00		--



Ref. K	Part N.	Customer Part N.	Description	Qty	Validity:		Price
					From	To	
0042	LAFN07265		BRACKET 512-712	1,00			--
0043	LAFN07266		ROD 512-712	1,00			--
0044	MPVR10084		SWITCH KNOB O.K.A.	1,00			--
0045	MTPL37338		PULLEY L.50TE	1,00			--
0046	CUVR71988		BEARING 608 2RS	1,00			--
0047	MPVR75836		BUSHING NYLON TK	1,00			--
0048	LAFN87609		BRACKET TENDICINGHIA TKE ZINCATA	1,00			--
0049	MLML75960		SPRING D. 8 X1 X32	1,00			--
0050	LAFN07291		BALANCER 712	1,00			--
0051	LAFN75834		BUSHING	2,00			--
0052	LAFN76019		PIN D.15 H.25 TK	2,00			--
0053	MLML00033		SPRING ALZAFLAP SILVER ZB	1,00			--
0054	CMCV00346		CABLE 512-712 UT	1,00			--
0055	CMCV00349		CABLE 512-712 UT	1,00			--
0057	CMCV00348		CABLE 512-712 UT	1,00			--
0058	MPVR00036		KNOB GOMMA NERA D.24/24 FORATA	2,00			--
0059	LAFN75738		TRIGGER	1,00			--
0061	LAFN75738		TRIGGER	1,00			--
0065	VTDD13261		NUT M 8X1 UNI 5589	1,00			--
0066	VTVT75724		SCREW TBEI M 8X 22 ISO 7380 ZB	1,00			--
0067	VTRS00513		WASHER D. 8 X32 P.	1,00			--
0068	VTVT75727		SCREW 8 X 25 TBCE Z.B.	1,00			--
0069	LAFN75840		BUSHING D.10x15.6	1,00			--
0070	VTVT75727		SCREW 8 X 25 TBCE Z.B.	1,00			--
0071	LAFN75840		BUSHING D.10x15.6	1,00			--
0072	VTRS00504		WASHER D. 8 TE ZC. UNI 6592	1,00			--
0073	VTDD13261		NUT M 8X1 UNI 5589	3,00			--
0074	VTVT00527		SCREW TE FR 6X10 ZB ZIG.	3,00			--
0075	VTRS63242		WASHER D. 6 X24 ZC	1,00			--
0076	VTVT45395		SCREW TBEI M 8X 10 ISO 7380 ZB	2,00			--
0077	VTRS00512		WASHER D. 8 X24 ZC.	2,00			--
0078	VTVT22102		SCREW TCEI 5X70 UNI5931	4,00			--
0079	VTDD01678		NUT M 5 UNI 5588	4,00			--
0080	VTVT75731		SCREW UNI 5923 6 X5	2,00			--
0081	VTAE14016		CIRCLIP D. 12 UNI 7435	1,00			--
0082	VTRS00504		WASHER D. 8 TE ZC. UNI 6592	1,00			--
0083	VTDD00124		NUT M 8 BASSO	1,00			--
0084	VTRS00504		WASHER D. 8 TE ZC. UNI 6592	1,00			--
0086	VTVT00061		SCREW TSCE UNI 5933 6X20 ZB	6,00			--

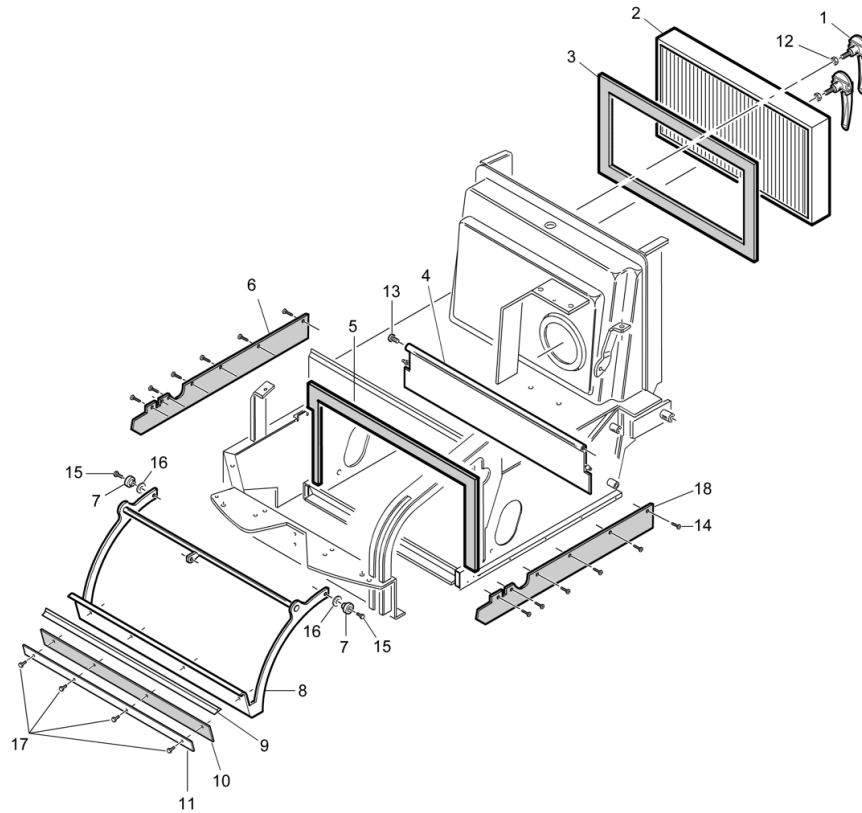


Ref. K	Part N.	Customer Part N.	Description	Qty	Validity:		Price
					From	To	
0087	VTRS00503		WASHER D. 6 TE UNI 6798	3,00			--
0088	VTDD00491		NUT M 6 TEF	3,00			--
0089	VTDD00124		NUT M 8 BASSO	1,00			--
0090	VTRS00504		WASHER D. 8 TE ZC. UNI 6592	1,00			--
0091	VTVT87456		SCREW UNI 5923 5x6	1,00			--
0091	VTVT87456		SCREW UNI 5923 5x6	1,00			--
0092	VTVT76018		SCREW	1,00			--
0093	VTAE87082		SEEGER INTERNO DIN 472 D.22	1,00			--
0094	LAFN75909		SPACER D.12 H.3.5	1,00			--
0095	VTVT75727		SCREW 8 X 25 TBCE Z.B.	1,00			--
0096	VTVT87456		SCREW UNI 5923 5x6	1,00			--
0097	VTRS00504		WASHER D. 8 TE ZC. UNI 6592	2,00			--
0098	VTDD00124		NUT M 8 BASSO	1,00			--
0099	PMTR00088		HANDLE TRAZ.K E TK NUOVO MAN.COM	1,00			--

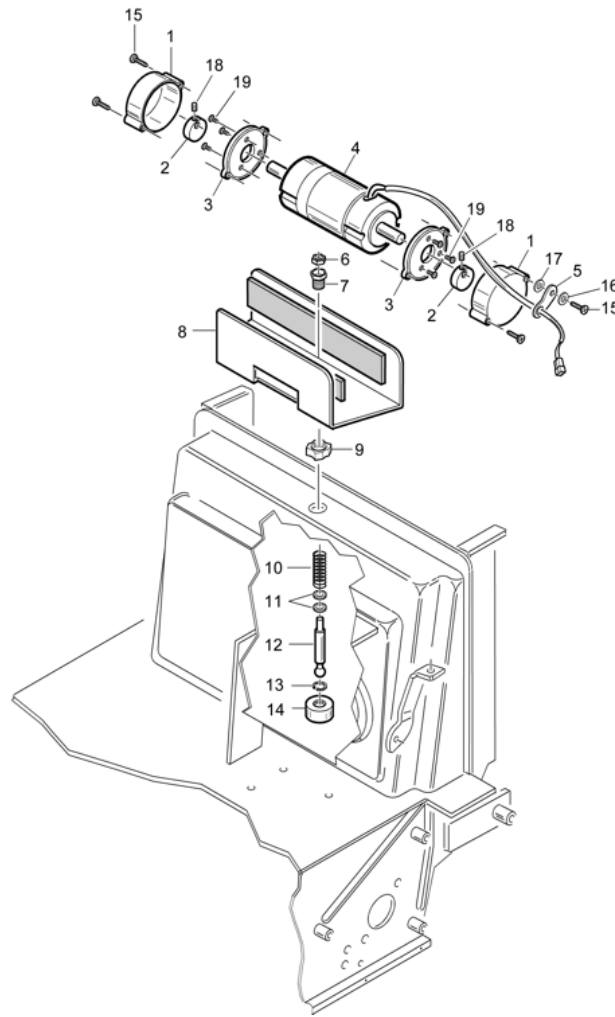


Ref.	K	Part N.	Customer Part N.	Description	Qty	Validity:		Price
						From	To	
0001		LAFN07432		BOARD 512-712 UT	1,00			--
0002		MECE00005		BOARD COMANDO 24V MOD.TK/K	1,00			--
0003		ETET01577		LABEL 512-712	1,00			--
0004		MECI75805		SWITCH TK	1,00			--
0005		MECI00034		COMMUTAT.SWITCHSCUOTIFILTRO COMPLETO	1,00			--
0006		VTDD00001		NUT UNI 5588 M3 ZB	2,00			--
0007		VTVT00021		SCREW TE UNI 5739 3X25 ZB	2,00			--
0008		MEVR00030		FUSE-HOLDER 4 VIE COPERCHIO TRAS.	1,00			--
0009		VTVT75726		SCREW TBEI M 6X 16 ISO 7380 ZB	2,00			--
0010		LAFN06857		SUPPORT 512-712UT	1,00			--
0011		LAFN06858		SUPPORT 512-712UT	1,00			--
0012		MEVR01136		FUSE 30A	1,00			--
0013		MEVR01136		FUSE 30A	1,00			--
0014		MEVR01136		FUSE 30A	1,00			--
0015		MEVR01136		FUSE 30A	1,00			--
0016		VTVT00044		SCREW TC AF.X PLAS UNI9707 4X16	2,00			--
0017		MPVR05254		FLANGE CARICABATTERIA	1,00			--
0018		ETET00041		LABEL PUSH 4.3X1.3	1,00			--
0019		VTVT37012		SCREW M 4X 10 TCB-TC INX	6,00			--
0020		VTVT05706		SCREW TCB-TC 4X10	4,00			--
0021		LAFN07267		BRACKET 512-712	1,00			--
0022		VTVT05706		SCREW TCB-TC 4X10	2,00			--
0023		BACA00123		BATTERY-CHARGERCBHD1 24V 10A	1,00			--
0024		MECB01044		WIRING 512	1,00			--
0025		LAFN35588		BATTERY SUPPORTLAV. BT	1,00			--
0026		VTVT00039		SCREW TC UNI 6954 3.5X10 AUTOF.	2,00			--
0028		VTDD00001		NUT UNI 5588 M3 ZB	2,00			--
0029		MPVR02939		BELT BATTERIA	1,00			--
0030		VTVT00021		SCREW TE UNI 5739 3X25 ZB	2,00			--
0031		VTVT00003		SCREW TE M 4X 12 ZC. UNI 5739	2,00			--
0032		MEVR34820		WIRING B 450 BT	1,00			--

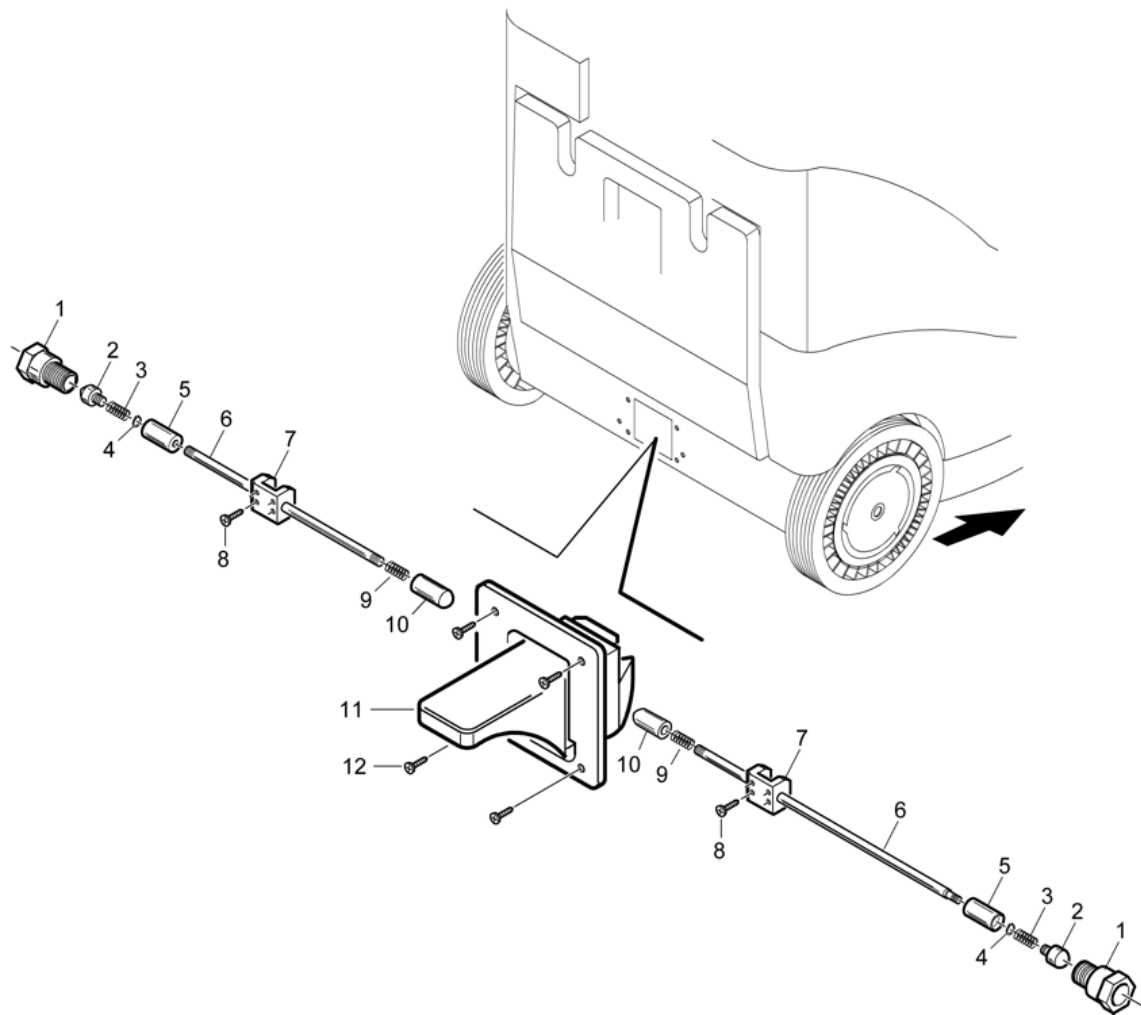
IP-CLEANING - TAV. 05-R
SILVER 512 - 712
(16.10.2007)



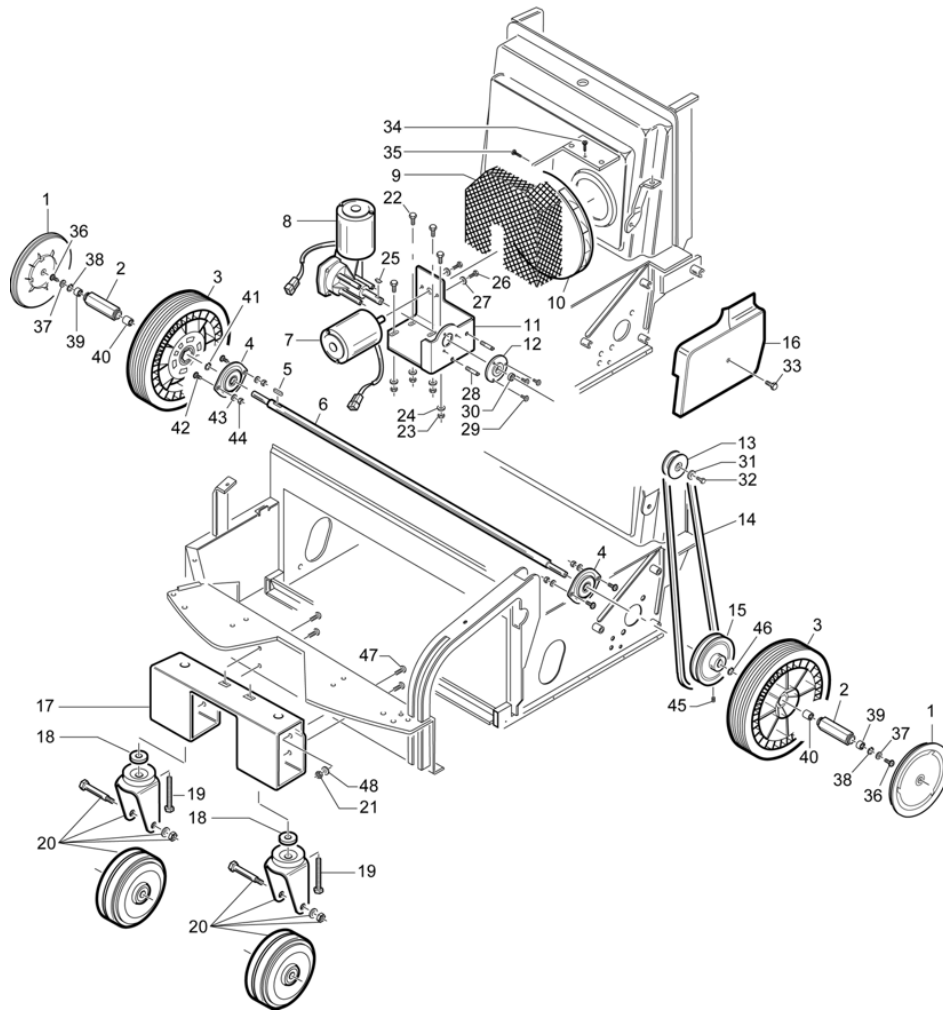
Ref. K	Part N.	Customer Part N.	Description	Qty	Validity:		Price
					From	To	
0001	PMVR00383		HANDLE BLOCCAGGIO FILTRO SILVER	2,00			--
0002	FTDP85299		FILTER SW 740/741	1,00			--
0003	KTRI75931		FOAM KIT 15X5 TK	1,00			--
0004	MPVR05307		FLAP 712	1,00			--
0005	KTRI00011		MOUSSE KIT ADES.30X15 CASS.ANTER.710	1,00		07/2008	--
0005	KTRI01820		KIT 712	1,00	08/2008		--
0006	MPVR05267		FLAP 512-712	1,00			--
0007	LAFN00188		BUSHING OTTONE BRAC.ALZAFL.SILVER	2,00			--
0008	LAFN07364		BALANCER 712	1,00			--
0009	MPVR00732		RUBBER ALZAFLAP SERIE 700	1,00			--
0010	MPVR48757		RUBBER FLAP TK 700	1,00			--
0011	LAFN00332		CLAMP GOMMA ALZAFLAP 700	1,00			--
0012	VTDD00483		NUT M 8 ZIN UNI 5588	2,00			--
0013	VTVT47025		SCREW TBEI M 10X 16 ISO 7380 ZB	2,00			--
0014	VTVT01295		SCREW 3,5X9,5 TS80 UNI 6955 ZB	10,00			--
0015	VTVT75724		SCREW TBEI M 8X 22 ISO 7380 ZB	2,00			--
0016	VTRS00512		WASHER D. 8 X24 ZC.	2,00			--
0017	VTVT00040		SCREW AUTOF.TC UNI6954 3,5X10SP	4,00			--
0018	MPVR05268		FLAP 512-712	1,00			--



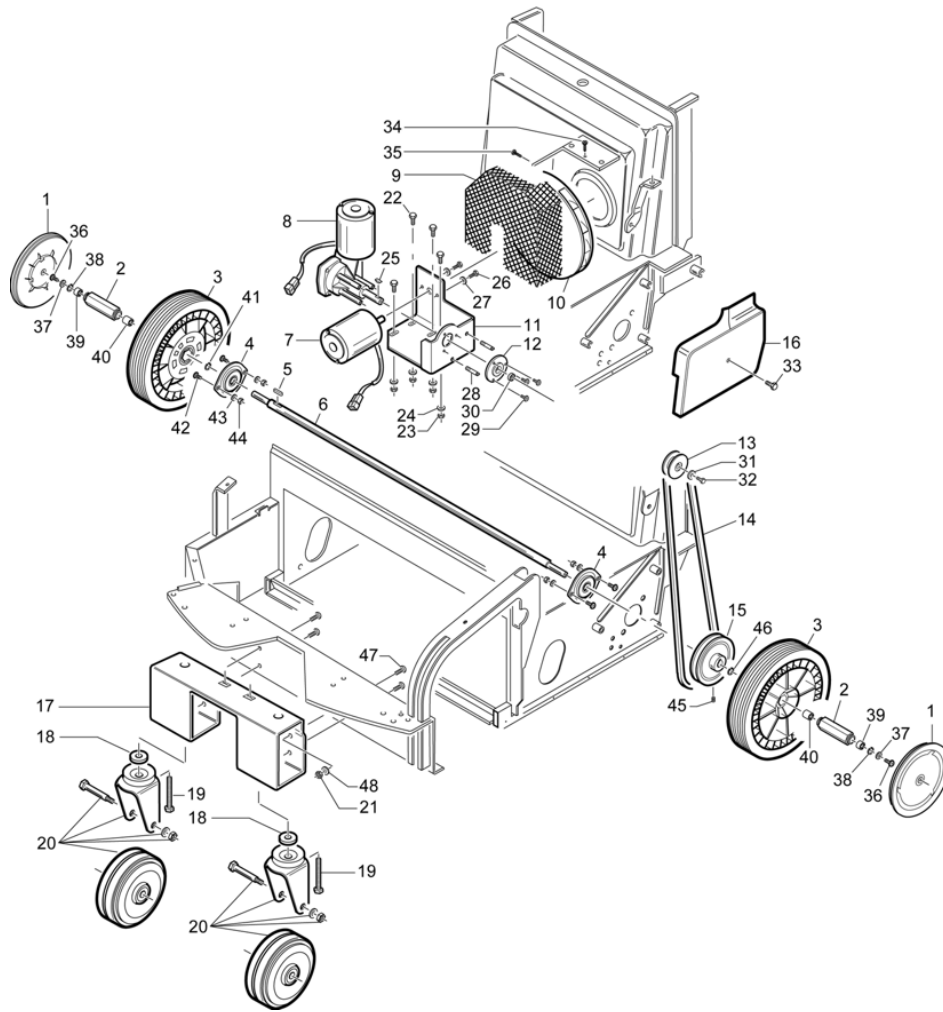
Ref. K	Part N.	Customer Part N.	Description	Qty	Validity:		Price
					From	To	
0001	LAFN47139		MOTOR COVER L.14 FILT.	2,00			--
0002	LAFN47140		BUSHING L.14	2,00			--
0003	MFVR47141		FLANGE MOTOR L.14	2,00			--
0004	MOCC00004		MOTOR D.63 24V G3800 W35	1,00			--
0005	MPVR00765		RUBBER FISSAGGIO FILO SCUOTIFIL.	1,00			--
0006	VTDD00008		NUT UNI 5589 M10 BASSO ZB	1,00			--
0007	ABGO00012		VIBRATION DAMP.PER SCUOTIFILTRO	1,00			--
0008	LAFN00676		SUPPORT MOTORE X SCUOTIF.E VERN.	1,00			--
0009	LAFN36319		RING NUT M25X1.5-10.3	1,00			--
0010	MLML85610		SPRING TK2205017	1,00			--
0011	GUGO19260		O-RING D. 8 X 1 NBR 70SH	2,00			--
0012	LAFN00428		PIN D.15 H.78 A SFERA SCUOT.	1,00			--
0013	VTAE00007		SEEGER INTERNO DIN 472 D.16	1,00			--
0014	LAFN00417		ARTICULATED BARTK500/700	1,00			--
0015	VTVT47138		SCREW TSP-TC 3,9X32 ZC. UNI6955	4,00			--
0016	VTRS05904		WASHER D. 4 X16 2.083	1,00			--
0017	VTRS05904		WASHER D. 4 X16 2.083	1,00			--
0018	VTVT75731		SCREW UNI 5923 6 X5	2,00			--
0019	VTVT76616		SCREW M 4x18 STEAM GUN	6,00			--



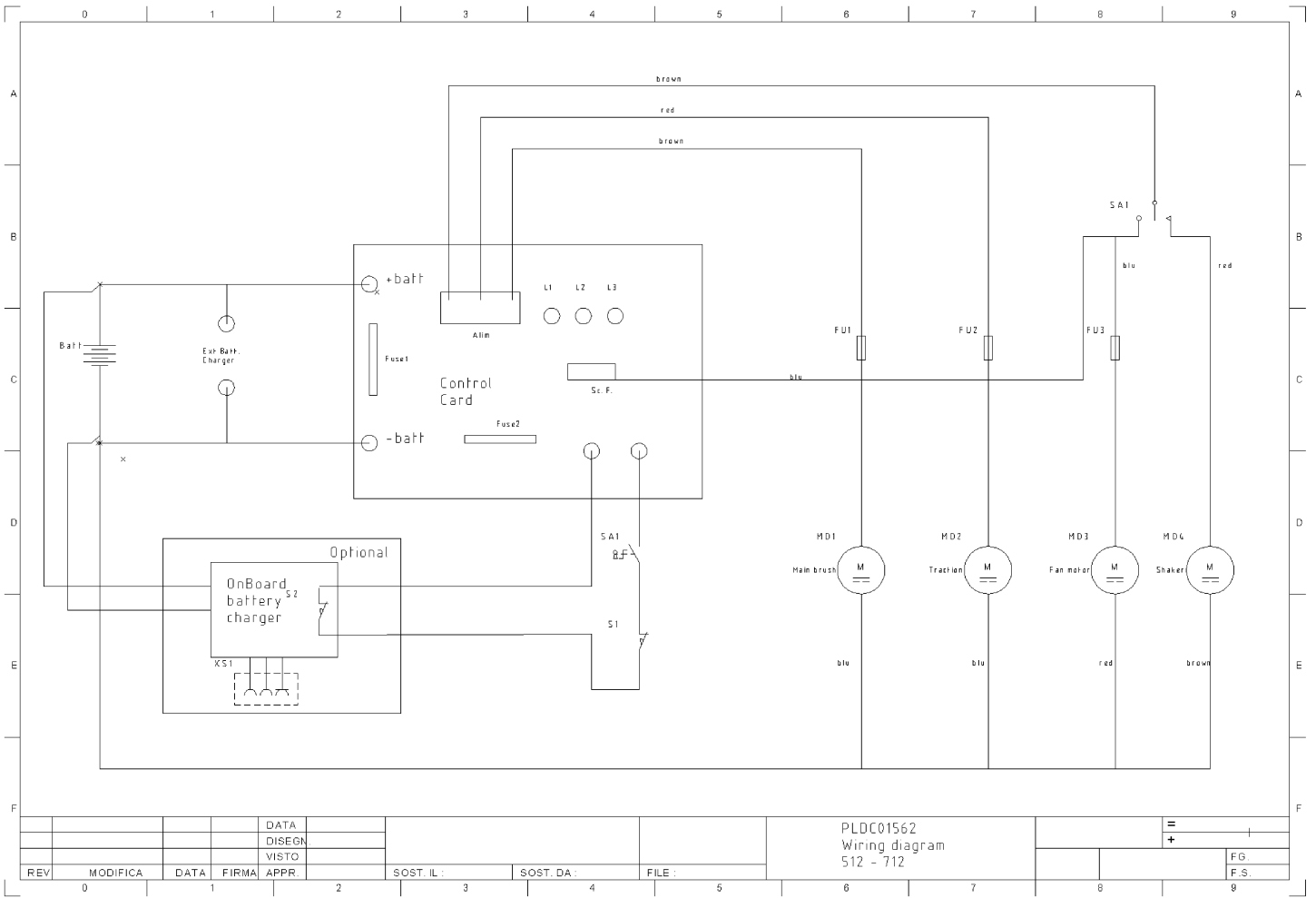
Ref.	K	Part N.	Customer Part N.	Description	Qty	Validity:		Price
						From	To	
0001		LAFN00335		RING NUT X PERNO GUIDA FRENO STAZ.	2,00			--
0002		LAFN00460		PIN BLOCC.RUOTA FRENO STAZ.	2,00			--
0003		MLML00012		SPRING COMPRES.X FRE.STAZ.L.23zb	2,00			--
0004		VTAE48552		CIRCLIP D. 6 UNI 7435	2,00			--
0005		LAFN00071		BUSHING PORTAMOLLA FRENO DI STAZ.	2,00			--
0006		LAFN00459		PIN INNESTO FRENO STAZION.	2,00			--
0007		LAFN00072		BLOCK GUIDA PERNO INN.FRENO	2,00			--
0008		VTVT00045		SCREW AUTOF.TC UNI 6954 4,8X16	6,00			--
0009		MLML00011		SPRING COMPRES.X FRE.STAZ.L.46zb	2,00			--
0010		LAFN00461		PIN SPINTA X FRENO STAZION.	2,00			--
0011		PMVR00160		PEDALE FRENO	1,00			--
0012		VTVT00045		SCREW AUTOF.TC UNI 6954 4,8X16	4,00			--



Ref. K	Part N.	Customer Part N.	Description	Qty	Validity: From To	Price
0001	MPVR00541		WHEEL'S COVER D.200 NERO	2,00		--
0002	LAFN75838		BUSHING	2,00		--
0003	RTRT00031		WHEEL GOMMA D.250X55 GR.CERC.NE	2,00		--
0004	CUVR75815		BALL BEARING UBPF203	2,00		--
0005	VTVR26559		KEY 5X5X15	1,00		--
0006	ALTR00006		TRACTION SHAFT TK 700 H.866,2	1,00		--
0007	MOCC45111		MOTOR D.77 24V	1,00		--
0008	MOCC00005		MOTOR.GEARBOX D.77 24V 210RPM BIG	1,00		--
0009	LAFN00876		PROTECTION	1,00		--
0010	VEVR26677		IMPELLER D.200 L.50HE	1,00		--
0011	LAFN00652		SUPPORT MOTORI TK ZINCATO	1,00		--
0012	LAFN00646		SUPPORT CUSCINET.6201 RIDUT.TRAZ.	1,00		--
0013	MTPL00013		PULLEY D.60 RIDUTT.TRAZ.711ET	1,00		--
0014	MTCG13166		BELT Z 30	1,00		--
0015	MTPL75984		PULLEY D.140	1,00		--
0016	MPVR00611		CONVEYOR ARIA VERSIONE ELETTRICA	1,00		--
0017	LAFN07375		BRACKET 712 UT	1,00		--
0018	LAFN00260		SPACER FISSEG.RUOTA ANTER.H 16	2,00		--
0019	VTVT00028		SCREW TE UNI 5739 12X45 ZB	2,00		--
0020	RTRT87241		WHEEL D.100	2,00		--
0021	VTDD00491		NUT M 6 TEF	8,00		--
0022	VTVT62920		SCREW TE F/ROND. M 6X 16 ZB	4,00		--
0023	VTDD00491		NUT M 6 TEF	4,00		--
0024	VTRS04026		WASHER D. 6X18X2.38	4,00		--
0025	VTVR75730		KEY UNI 6606 3 X 3,7	1,00		--
0026	VTVT14062		SCREW TE 5X16 UNI5739	2,00		--
0027	VTRS00291		WASHER D. 5 X20 ZC UNI 6593	2,00		--
0028	LAFN75969		PIN D.9 H.33	1,00		--
0029	VTVT85745		SCREW TBEI M 6X 25 ISO 7380 ZB	3,00		--
0030	CUVR86373		BEARING 6000 2RS	1,00		--
0031	VTRS00291		WASHER D. 5 X20 ZC UNI 6593	1,00		--
0032	VTVT00003		SCREW TE M 4X 12 ZC. UNI 5739	1,00		--
0033	VTVT00527		SCREW TE FR 6X10 ZB ZIG.	1,00		--
0034	VTVT00099		SCREW AUTOF.TC UNI 6954 3,9X13	1,00		--
0035	VTVT00099		SCREW AUTOF.TC UNI 6954 3,9X13	1,00		--
0036	VTVT75725		SCREW TBEI M 6X 10 ISO 7380 ZB	2,00		--
0037	VTRS63242		WASHER D. 6 X24 ZC	2,00		--
0038	VTAE28493		CIRCLIP D. 28 UNI 7435	2,00		--
0039	CUVR37341		ROLLER BEARING HFL 1426	2,00		--



Ref. K	Part N.	Customer Part N.	Description	Qty	Validity:		Price
					From	To	
0040	CUVR37344		ROLLER BEARING HK 1412	2,00			--
0041	VTAE28493		CIRCLIP D. 28 UNI 7435	1,00			--
0042	VTVT75721		SCREW TTDE UNI 5732 6 X 16 ZB	4,00			--
0043	VTRS00503		WASHER D. 6 TE UNI 6798	4,00			--
0044	VTDD00491		NUT M 6 TEF	4,00			--
0045	VTVT86570		GRUB SCREW M 6x10 UNI 5927	1,00			--
0046	VTAE28493		CIRCLIP D. 28 UNI 7435	1,00			--
0047	VTVT75726		SCREW TBEI M 6X 16 ISO 7380 ZB	8,00			--
0048	VTRS04026		WASHER D. 6X18X2.38	8,00			--



Ref.	K	Part N.	Customer Part N.	Description	Qty	Validity: From	To	Price
FU1		MEVR01136		FUSE 30A	1,00			--
FU2		MEVR01136		FUSE 30A	1,00			--
FU3		MEVR01136		FUSE 30A	1,00			--

