



IPC Integrated Professional Cleaning

IPC Gansow

Spare Parts List

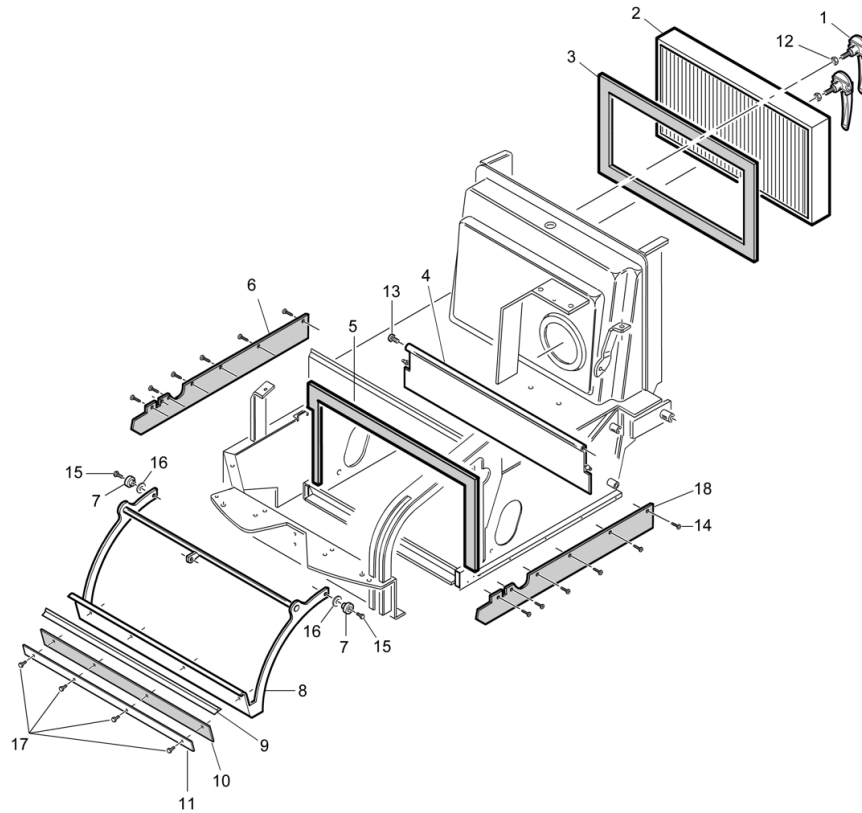
TAVERNARO AG

Ref: MSUT00586

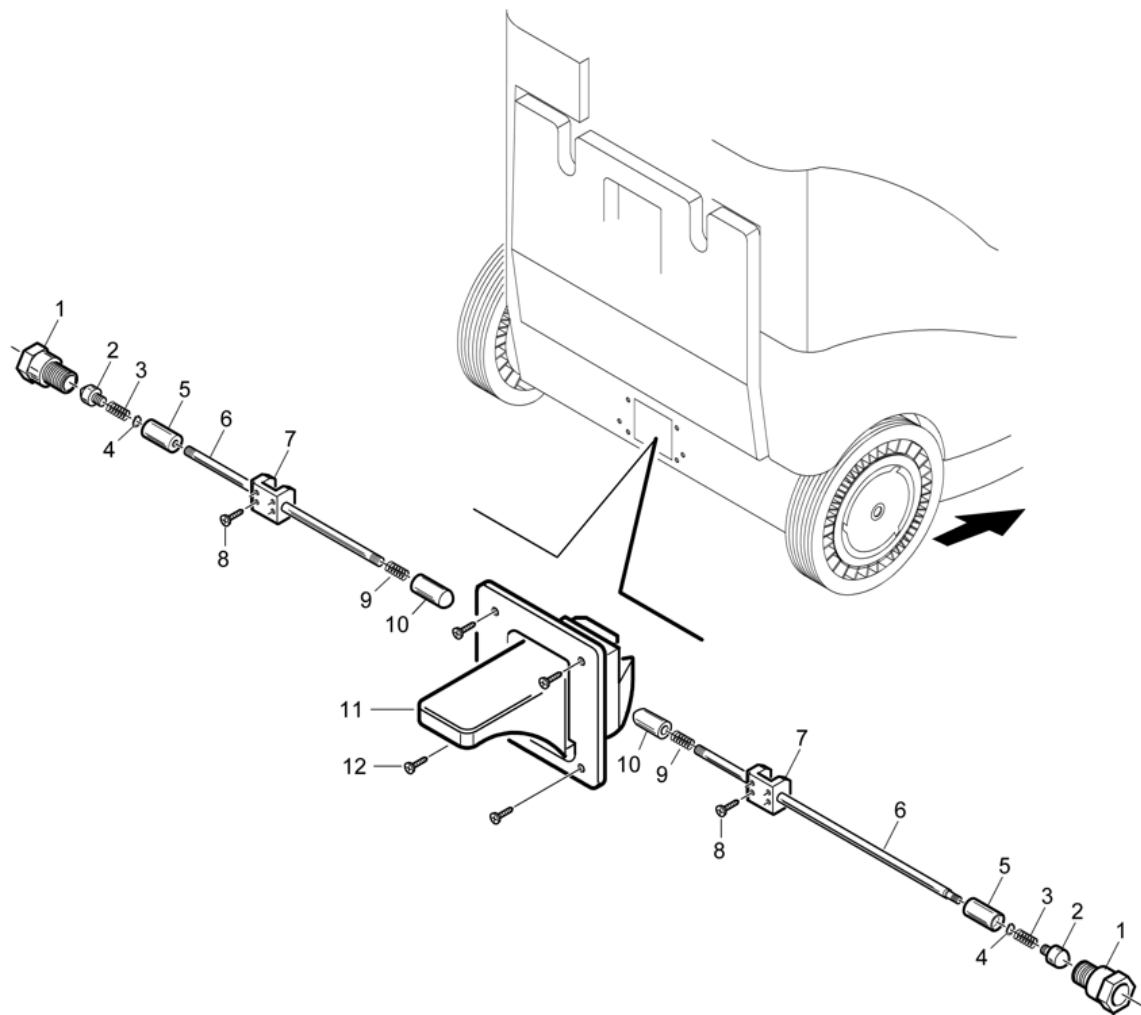
Model: Spazzatrice 512 P + SF

IPC

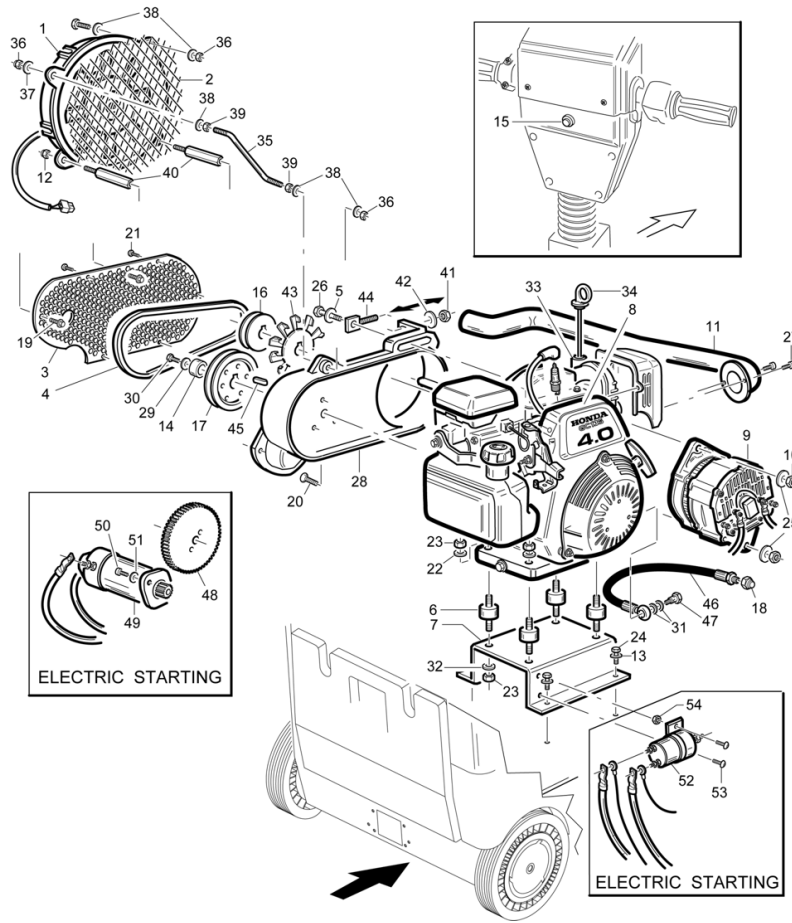
IP-CLEANING - TAV. 05-R
 SILVER 512 - 712
 (16.10.2007)



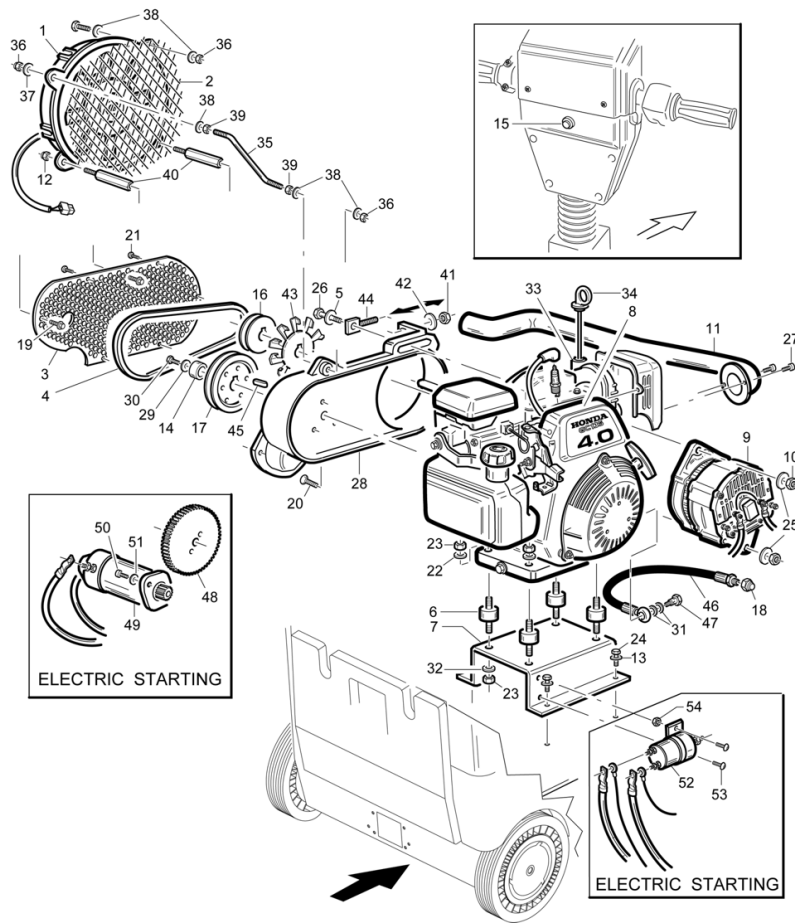
Ref. K	Part N.	Customer Part N.	Description	Qty	Validity:		Price
					From	To	
0001	PMVR00383		HANDLE BLOCCAGGIO FILTRO SILVER	2,00			--
0002	FTDP85298		FILTER SW 540/541	1,00			--
0003	KTRI75926		FOAM KIT	1,00			--
0004	MPVR05306		FLAP 512	1,00			--
0005	KTRI01819		KIT 512	1,00	08/2008		--
0005	KTRI86322		JOINT KIT MOUSSE 30X15 TK2160033	1,00		07/2008	--
0006	MPVR05267		FLAP 512-712	1,00			--
0007	LAFN00188		BUSHING OTTONE BRAC.ALZAFL.SILVER	2,00			--
0008	LAFN07365		BALANCER 512	1,00			--
0009	MPVR00731		RUBBER ALZAFLAP SERIE 500	1,00			--
0010	MPVR87400		RUBBER ALZAFLAP 2160410	1,00			--
0011	LAFN00331		CLAMP GOMMA ALZAFLAP 500	1,00			--
0012	VTDD00483		NUT M 8 ZIN UNI 5588	2,00			--
0013	VTVT47025		SCREW TBEI M 10X 16 ISO 7380 ZB	2,00			--
0014	VTVT01295		SCREW 3,5X9,5 TS80 UNI 6955 ZB	10,00			--
0015	VTVT75724		SCREW TBEI M 8X 22 ISO 7380 ZB	2,00			--
0016	VTRS00512		WASHER D. 8 X24 ZC.	2,00			--
0017	VTVT00040		SCREW AUTOF.TC UNI6954 3,5X10SP	4,00			--
0018	MPVR05268		FLAP 512-712	1,00			--



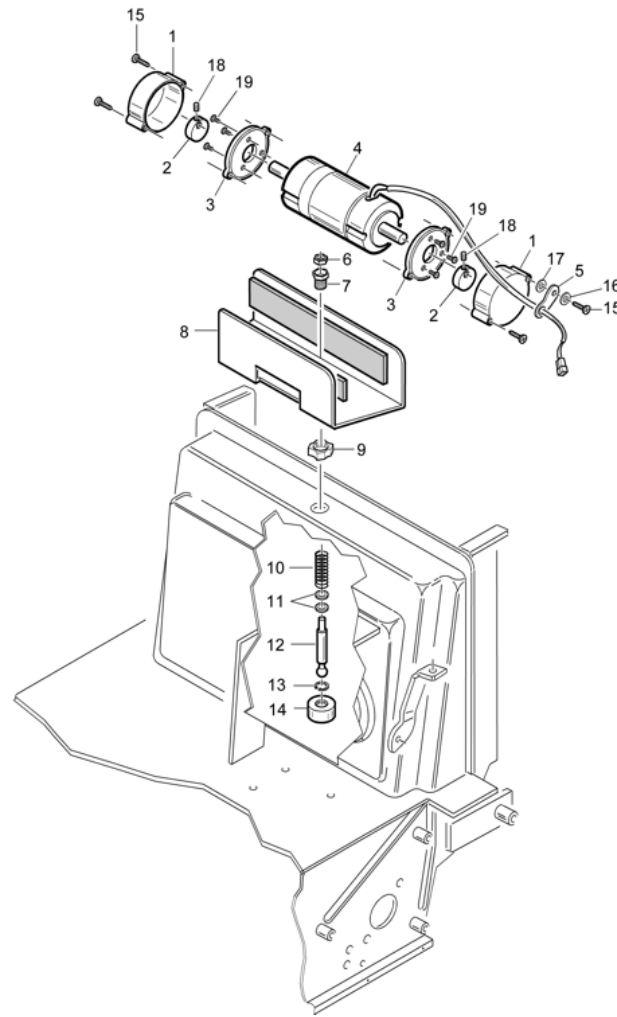
Ref.	K	Part N.	Customer Part N.	Description	Qty	Validity:		Price
						From	To	
0001		LAFN00335		RING NUT X PERNO GUIDA FRENO STAZ.	2,00			--
0002		LAFN00460		PIN BLOCC.RUOTA FRENO STAZ.	2,00			--
0003		MLML00012		SPRING COMPRES.X FRE.STAZ.L.23zb	2,00			--
0004		VTAE48552		CIRCLIP D. 6 UNI 7435	2,00			--
0005		LAFN00071		BUSHING PORTAMOLLA FRENO DI STAZ.	2,00			--
0006		LAFN00458		PIN INNESTO FRENO DI STAZION.	2,00			--
0007		LAFN00072		BLOCK GUIDA PERNO INN.FRENO	2,00			--
0008		VTVT00045		SCREW AUTOF.TC UNI 6954 4,8X16	6,00			--
0009		MLML00011		SPRING COMPRES.X FRE.STAZ.L.46zb	2,00			--
0010		LAFN00461		PIN SPINTA X FRENO STAZION.	2,00			--
0011		PMVR00160		PEDALE FRENO	1,00			--
0012		VTVT00045		SCREW AUTOF.TC UNI 6954 4,8X16	4,00			--



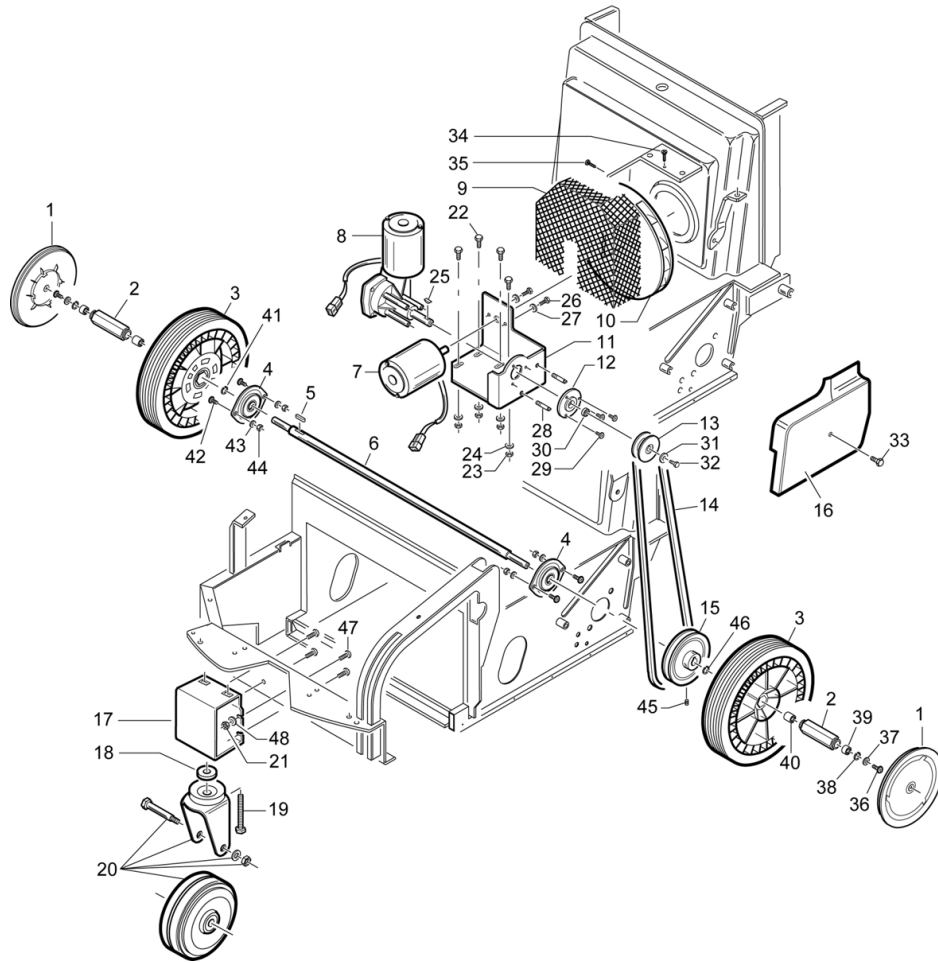
Ref. K	Part N.	Customer Part N.	Description	Qty	Validity:		Price
					From	To	
0001	MOCC00283		IMPELLER VANO MOTORE	1,00			--
0002	LAFN06947		PROTECTION -	1,00	07/2008		--
0002	LAFN06301		BRACKET PROTEZIONE	1,00		07/2008	--
0003	LAFN47152		BRACKET PROTEZIONE	1,00			--
0004	MTCG00126		BELT 512-712	1,00			--
0005	VTRS00504		WASHER D. 8 TE ZC. UNI 6592	1,00			--
0006	ABGO00040		VIBRATION DAMP.MM30X15 M8X14+M8X30 40SH	4,00			--
0007	LAFN07368		PLATE MOTORE	1,00			--
0008	MOSC00025		ENGINE MOTOR HONDA GC135 QH-P7-SD 4HP	1,00			--
0009	ARGN00016		ALTERNATOR 28V	1,00			--
0010	VTDD00041		SELF-LOCJ.NUT M 8 UNI7473 8.8 ZNT	2,00			--
0011	LAFN07358		TUBE TESTA 512-712S	1,00			--
0012	VTDD19688		NUT M6 UNI 7473	2,00			--
0013	VTRS00504		WASHER D. 8 TE ZC. UNI 6592	4,00			--
0014	LAFN06695		SPACER Ø19.2-Ø36 H11,5	1,00			--
0015	MEVR85330		KLAXON SW 1000 1180012	1,00			--
0016	MTPL00195		PULLEY 512-712	1,00			--
0017	MTPL00194		PULLEY 712	1,00			--
0018	RCVR00585		CAP 3/8"	1,00			--
0019	VTVT62920		SCREW TE F/ROND. M 6X 16 ZB	2,00			--
0020	VTVT01547		SCREW TSCE 5X16"x7/8"x24 UNF zb	4,00			--
0021	VTVT01297		SCREW M 4X 8 TCB-TC UNI 8112	5,00			--
0022	VTRS00504		WASHER D. 8 TE ZC. UNI 6592	4,00			--
0023	VTDD00041		SELF-LOCJ.NUT M 8 UNI7473 8.8 ZNT	8,00			--
0024	VTVT01357		CARRYNG BAG	4,00			--
0025	VTRS00512		WASHER D. 8 X24 ZC.	2,00			--
0026	VTVT00453		SCREW TE 8X60 UNI5739	2,00			--
0027	VTVT07945		SCREW TCB T-C 3,9X 9,5	2,00			--
0028	MFVR47154		CRANKCASE L.14	1,00			--
0029	LAFN07355		SPACER FISSAGGIO	1,00			--
0030	VTVT01546		SCREW TE 5x16"x7/8"x24 UNF 8.8	1,00			--
0031	VTRS00548		WASHER D.17,5X22X1,5 (3/8)RM	2,00			--
0032	VTRS00512		WASHER D. 8 X24 ZC.	4,00			--
0033	LAFN07343		TUBE LIVELLO OLIO	1,00			--
0034	MPVR05311		ROD 512-712	1,00			--
0035	LAFN06476		TIE ROD ELETTRIVALVOLA	1,00			--
0036	VTDD19688		NUT M6 UNI 7473	2,00			--
0037	VTRS00503		WASHER D. 6 TE UNI 6798	1,00			--
0038	VTRS04026		WASHER D. 6X18X2.38	3,00			--



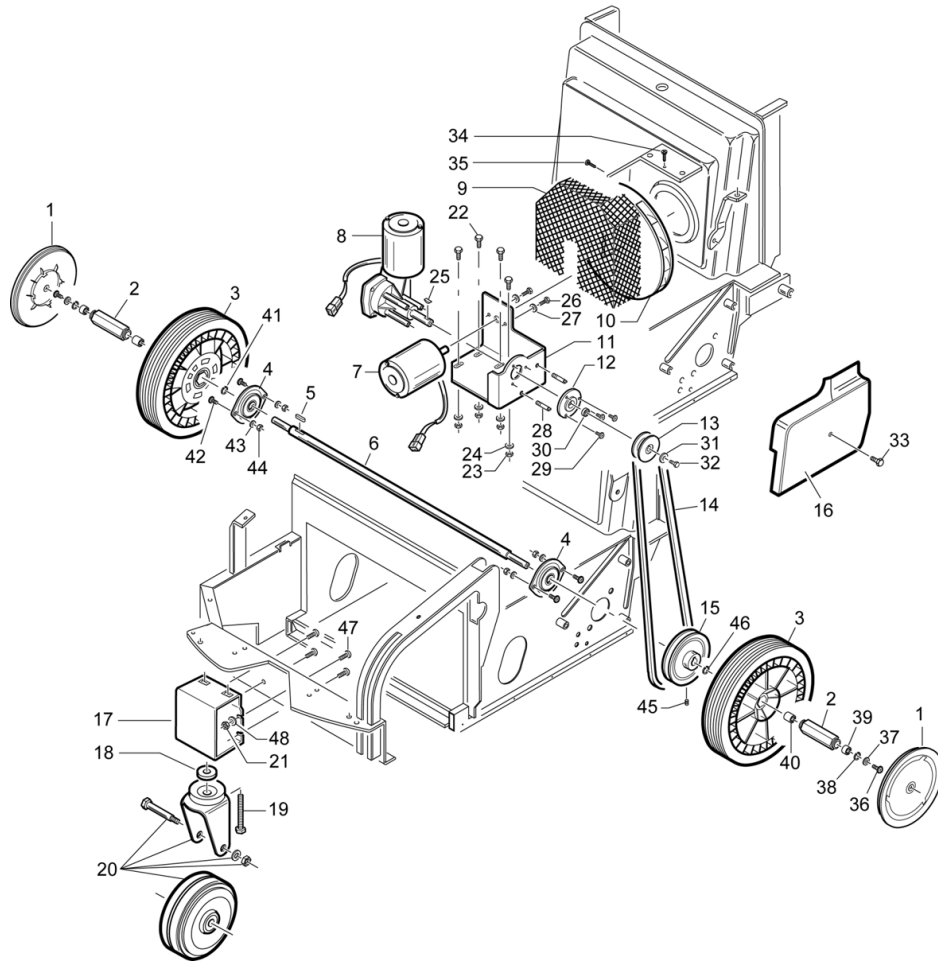
Ref. K	Part N.	Customer Part N.	Description	Qty	Validity:		Price
					From	To	
0039	VTDD00482		NUT M 6 ZIN UNI 5588	2,00			--
0040	LAFN04172		CARRYNG BAG	2,00			--
0041	VTDD19688		NUT M6 UNI 7473	1,00			--
0042	VTRS04026		WASHER D. 6X18X2.38	1,00			--
0043	VEVR00014		CARRYNG BAG	1,00			--
0044	LAFN47168		BELT-STRETCHER L.14	1,00			--
0045	VTVR01032		KEY Tipo B 4,76x4,76x38	1,00			--
0046	TBBP00384		TUBE SCARICO OLIO	1,00			--
0047	RCVR00714		CONNECTOR M12X1,5	1,00			--
0048	MTCR00095		BRAKE AVVIAMENTO MOTORE HONDA	1,00			--
0049	MOCC45115		MOTOR 24V 300W SX	1,00			--
0050	VTVT00066		SCREW TCCE UNI 5931 8X25 ZB	2,00			--
0051	VTRS00504		WASHER D. 8 TE ZC. UNI 6592	2,00			--
0052	METT45116		CONTACTOR 24V T106 P	1,00			--
0053	VTVT00005		SCREW TE FR 5X12 ZB	2,00			--
0054	VTDD00040		NUT M5 UNI7474	2,00			--



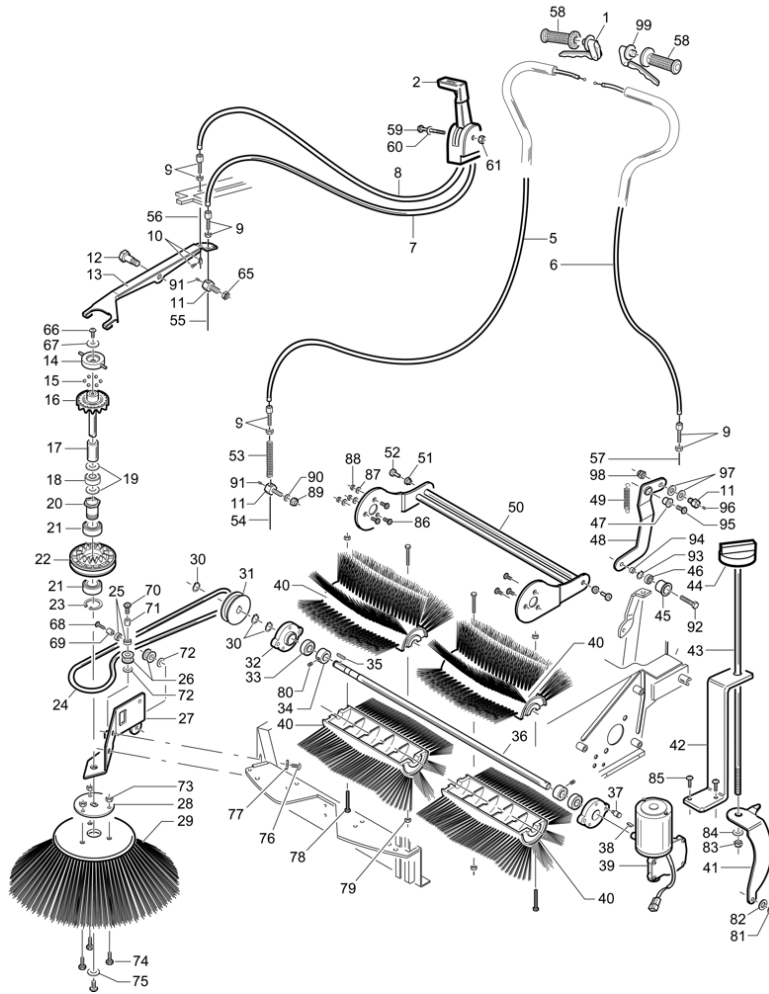
Ref. K	Part N.	Customer Part N.	Description	Qty	Validity:		Price
					From	To	
0001	LAFN47139		MOTOR COVER L.14 FILT.	2,00			--
0002	LAFN47140		BUSHING L.14	2,00			--
0003	MFVR47141		FLANGE MOTOR L.14	2,00			--
0004	MOCC00004		MOTOR D.63 24V G3800 W35	1,00			--
0005	MPVR00765		RUBBER FISSAGGIO FILO SCUOTIFIL.	1,00			--
0006	VTDD00008		NUT UNI 5589 M10 BASSO ZB	1,00			--
0007	ABGO00012		VIBRATION DAMP.PER SCUOTIFILTRO	1,00			--
0008	LAFN00676		SUPPORT MOTORE X SCUOTIF.E VERN.	1,00			--
0009	LAFN36319		RING NUT M25X1.5-10.3	1,00			--
0010	MLML85610		SPRING TK2205017	1,00			--
0011	GUGO19260		O-RING D. 8 X 1 NBR 70SH	2,00			--
0012	LAFN00428		PIN D.15 H.78 A SFERA SCUOT.	1,00			--
0013	VTAE00007		SEEGER INTERNO DIN 472 D.16	1,00			--
0014	LAFN00417		ARTICULATED BARTK500/700	1,00			--
0015	VTVT47138		SCREW TSP-TC 3,9X32 ZC. UNI6955	4,00			--
0016	VTRS05904		WASHER D. 4 X16 2.083	1,00			--
0017	VTRS05904		WASHER D. 4 X16 2.083	1,00			--
0018	VTVT75731		SCREW UNI 5923 6 X5	2,00			--
0019	VTVT76616		SCREW M 4x18 STEAM GUN	6,00			--



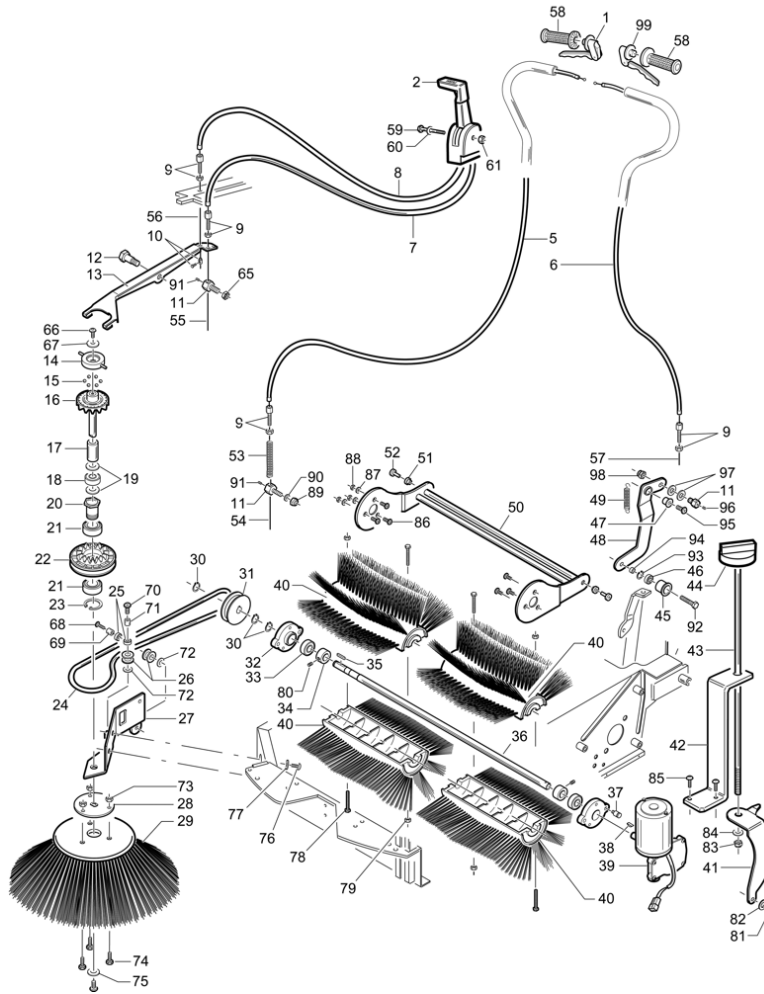
Ref. K	Part N.	Customer Part N.	Description	Qty	Validity: From To	Price
0001	MPVR00541		WHEEL'S COVER D.200 NERO	2,00	--	--
0002	LAFN75838		BUSHING	2,00	--	--
0003	RTRT00030		WHEEL GOMMA D.250X55 NE CERC.GR	2,00	--	--
0004	CUVR75815		BALL BEARING UBPF203	2,00	--	--
0005	VTVR26559		KEY 5X5X15	1,00	--	--
0006	ALTR75820		TRACTION SHAFT TK500 H.697	1,00	--	--
0007	MOCC45111		MOTOR D.77 24V	1,00	--	--
0008	MOCC00321		MOTOR D.77 24V	1,00	--	--
0009	LAFN00876		PROTECTION	1,00	--	--
0010	VEVR26677		IMPELLER D.200 L.50HE	1,00	--	--
0011	LAFN00652		SUPPORT MOTORI TK ZINCATO	1,00	--	--
0012	LAFN48900		SUPPORT 6000 TK	1,00	--	--
0013	MTPL75985		PULLEY D.55	1,00	--	--
0014	MTCG13166		BELT Z 30	1,00	--	--
0015	MTPL75984		PULLEY D.140	1,00	--	--
0016	MPVR00611		CONVEYOR ARIA VERSIONE ELETTRICA	1,00	--	--
0017	LAFN07275		SHEET METAL PA.CASSETTO	1,00	--	--
0018	LAFN75910		SPACER	1,00	--	--
0019	VTVT00028		SCREW TE UNI 5739 12X45 ZB	1,00	--	--
0020	RTRT24661		TURNING WHEEL D.100 NTR	1,00	--	--
0021	VTDD00491		NUT M 6 TEF	4,00	--	--
0022	VTVT62920		SCREW TE F/ROND. M 6X 16 ZB	4,00	--	--
0023	VTDD00491		NUT M 6 TEF	4,00	--	--
0024	VTRS04026		WASHER D. 6X18X2.38	4,00	--	--
0025	VTVR75730		KEY UNI 6606 3 X 3,7	1,00	--	--
0026	VTVT14062		SCREW TE 5X16 UNI5739	2,00	--	--
0027	VTRS00291		WASHER D. 5 X20 ZC UNI 6593	2,00	--	--
0028	LAFN75969		PIN D.9 H.33	1,00	--	--
0029	VTVT85745		SCREW TBEI M 6X 25 ISO 7380 ZB	3,00	--	--
0030	CUVR86373		BEARING 6000 2RS	1,00	--	--
0031	VTRS00291		WASHER D. 5 X20 ZC UNI 6593	1,00	--	--
0032	VTVT00003		SCREW TE M 4X 12 ZC. UNI 5739	1,00	--	--
0033	VTVT00527		SCREW TE FR 6X10 ZB ZIG.	1,00	--	--
0034	VTVT00099		SCREW AUTOF.TC UNI 6954 3,9X13	1,00	--	--
0035	VTVT00099		SCREW AUTOF.TC UNI 6954 3,9X13	1,00	--	--
0036	VTVT75725		SCREW TBEI M 6X 10 ISO 7380 ZB	2,00	--	--
0037	VTRS63242		WASHER D. 6 X24 ZC	2,00	--	--
0038	VTAE28493		CIRCLIP D. 28 UNI 7435	2,00	--	--
0039	CUVR37341		ROLLER BEARING HFL 1426	2,00	--	--



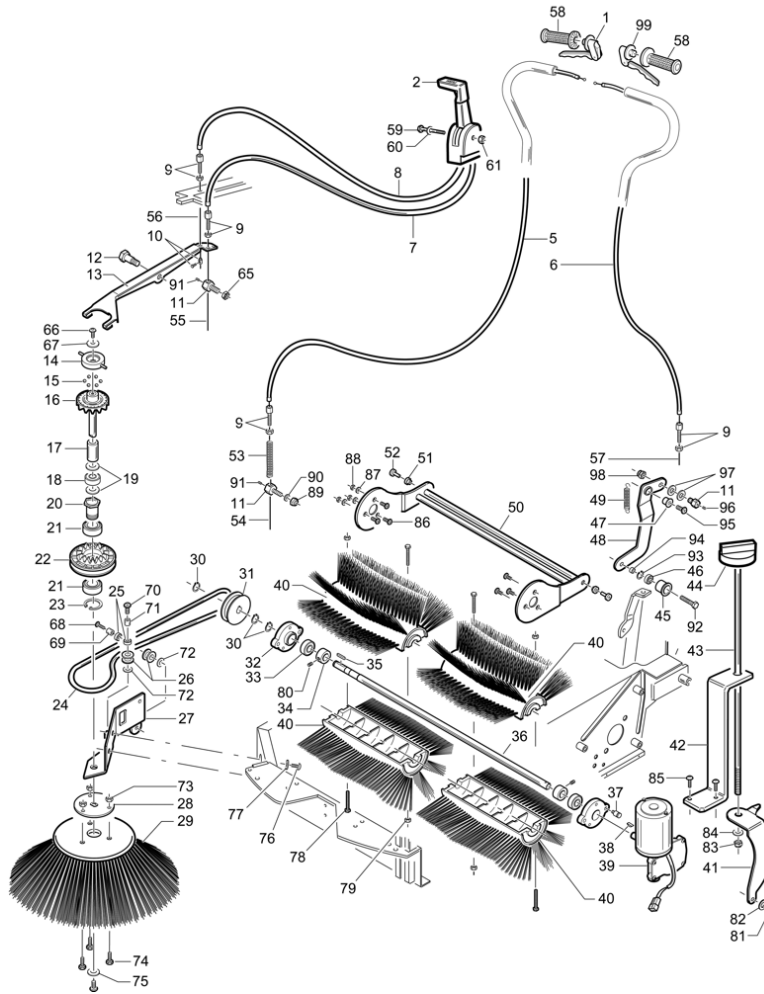
Ref. K	Part N.	Customer Part N.	Description	Qty	Validity:		Price
					From	To	
0040	CUVR37344		ROLLER BEARING HK 1412	2,00			--
0041	VTAE28493		CIRCLIP D. 28 UNI 7435	1,00			--
0042	VTVT75721		SCREW TTDE UNI 5732 6 X 16 ZB	4,00			--
0043	VTRS00503		WASHER D. 6 TE UNI 6798	4,00			--
0044	VTDD00491		NUT M 6 TEF	4,00			--
0045	VTVT86570		GRUB SCREW M 6x10 UNI 5927	1,00			--
0046	VTAE28493		CIRCLIP D. 28 UNI 7435	1,00			--
0047	VTVT75726		SCREW TBEI M 6X 16 ISO 7380 ZB	4,00			--
0048	VTRS04026		WASHER D. 6X18X2.38	4,00			--



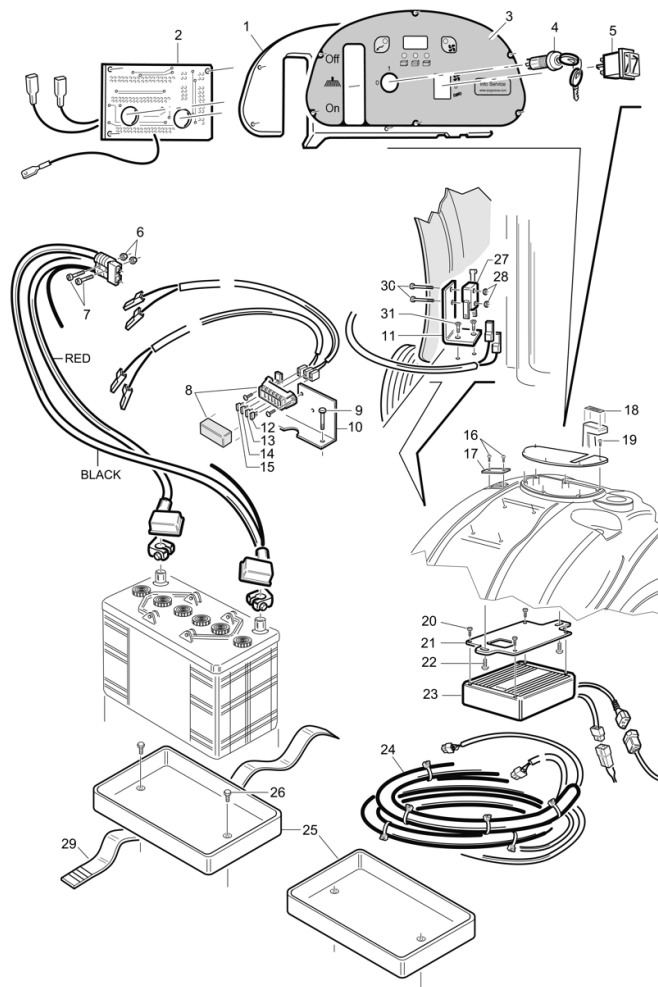
Ref.	K	Part N.	Customer Part N.	Description	Qty	Validity:		Price
						From	To	
0001		PMTR00089		HANDLE	1,00			--
0002		LAFN75738		TRIGGER	1,00			--
0005		CMCV00345		SHEATH	512-712 UT	1,00		--
0006		CMCV00347		SHEATH	512-712 UT	1,00		--
0007		CMCV00351		SHEATH	512-712 UT	1,00		--
0008		CMCV00350		SHEATH	512-712 UT	1,00		--
0009		CMCV75723		REGISTER	D.7	4,00		--
0010		CMCV75737		CLAMP	D.7 art.857	1,00		--
0011		LAFN01068		SCREW	CH.17 H.28 FISSAGGIO FILO	3,00		--
0012		LAFN75968		PIN		1,00		--
0013		LAFN75953		LEVER		1,00		--
0014		LAFN75824		RING		1,00		--
0015		SFVR00002		BALL	11/32"	6,00		--
0016		LAFN75826		RING		1,00		--
0017		LAFN75912		SPACER		1,00		--
0018		CUVR37344		ROLLER BEARING HK 1412		1,00		--
0019		VTRS75831		WASHER		2,00		--
0020		LAFN75833		BUSHING		1,00		--
0021		CUVR86893		BEARING	6005 2RS	2,00		--
0022		LAFN75827		RING		1,00		--
0023		VTAE09655		CIRCLIP	D. 25 UNI 7435	1,00		--
0024		MTCG85335		BELT	D. 8X1000	1,00		--
0025		CUVR75814		BEARING	HK1012	2,00		--
0026		MTPL75996		PULLEY	D.27x15	1,00		--
0027		LAFN76005		SUPPORT		1,00		--
0028		LAFN75986		FLANGE		1,00		--
0029		PMVR00248		SIDE-BRUSH	TK COMPLETA PPL 70	1,00		--
0030		VTAE17003		CIRCLIP	D. 15 UNI 7435	3,00		--
0031		MTPL75980		PULLEY	TKE	1,00		--
0032		PMTR00026		SUPPORT	D.90 DX/SX(2 INS.)+CRUS	2,00		--
0033		CUVR00005		BEARING	6202 2RS	2,00		--
0034		LAFN26588		SPACER	LOLY 50	2,00		--
0035		VTVR26559		KEY	5X5X15	1,00		--
0036		ALTR75822		BRUSH SHAFT	TK500 E	1,00		--
0037		LAFN75971		PIN		1,00		--
0038		VTVR75730		KEY	UNI 6606 3 X 3,7	1,00		--
0039		MOCC00321		MOTOR	D.77 24V	1,00		--
0040		SPPV00048		BRUSH	CENTRALE	2,00		--
0041		LAFN00342		BRACKET	REGOL.SP AZ.CENTR.TKE ZINC	1,00		--



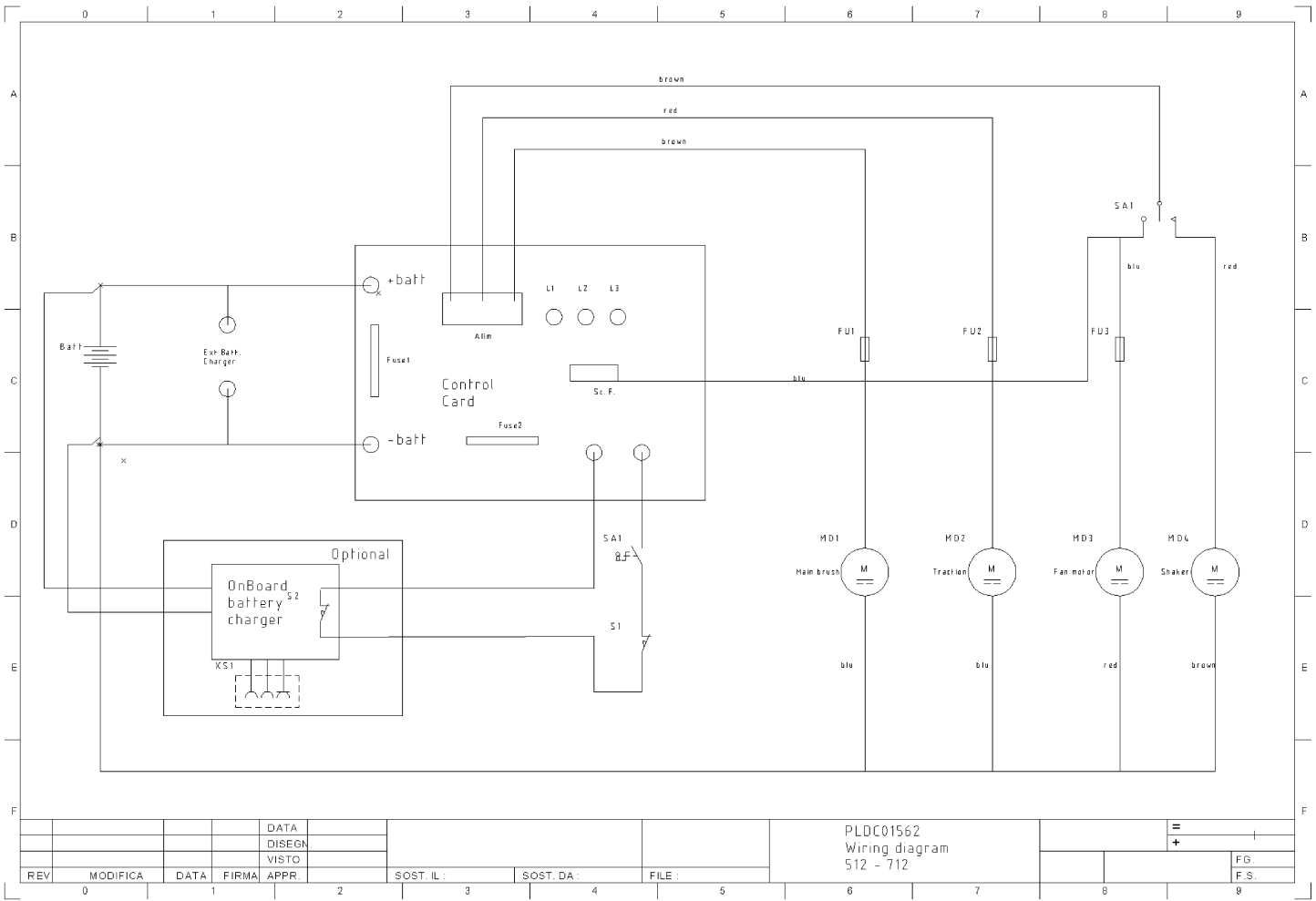
Ref.	K	Part N.	Customer Part N.	Description	Qty	Validity:		Price
						From	To	
0042		LAFN07265		BRACKET 512-712	1,00			--
0043		LAFN07266		ROD 512-712	1,00			--
0044		MPVR10084		SWITCH KNOB O.K.A.	1,00			--
0045		MTPL37338		PULLEY L.50TE	1,00			--
0046		CUVR71988		BEARING 608 2RS	1,00			--
0047		MPVR75836		BUSHING NYLON TK	1,00			--
0048		LAFN87609		BRACKET TENDICINGHIA TKE ZINCATA	1,00			--
0049		MLML75960		SPRING D. 8 X1 X32	1,00			--
0050		LAFN00035		BALANCER TK500 K501 ZINCATO	1,00			--
0051		LAFN75834		BUSHING	2,00			--
0052		LAFN76019		PIN D.15 H.25 TK	2,00			--
0053		MLML00033		SPRING ALZAFLAP SILVER ZB	1,00			--
0054		CMCV00346		CABLE 512-712 UT	1,00			--
0055		CMCV00349		CABLE 512-712 UT	1,00			--
0057		CMCV00348		CABLE 512-712 UT	1,00			--
0058		MPVR00036		KNOB GOMMA NERA D.24/24 FORATA	2,00			--
0059		LAFN75738		TRIGGER	1,00			--
0061		LAFN75738		TRIGGER	1,00			--
0065		VTDD13261		NUT M 8X1 UNI 5589	1,00			--
0066		VTVT75724		SCREW TBEI M 8X 22 ISO 7380 ZB	1,00			--
0067		VTRS00513		WASHER D. 8 X32 P.	1,00			--
0068		VTVT75727		SCREW 8 X 25 TBCE Z.B.	1,00			--
0069		LAFN75840		BUSHING D.10x15.6	1,00			--
0070		VTVT75727		SCREW 8 X 25 TBCE Z.B.	1,00			--
0071		LAFN75840		BUSHING D.10x15.6	1,00			--
0072		VTRS00504		WASHER D. 8 TE ZC. UNI 6592	1,00			--
0073		VTDD13261		NUT M 8X1 UNI 5589	3,00			--
0074		VTVT00527		SCREW TE FR 6X10 ZB ZIG.	3,00			--
0075		VTRS63242		WASHER D. 6 X24 ZC	1,00			--
0076		VTVT45395		SCREW TBEI M 8X 10 ISO 7380 ZB	2,00			--
0077		VTRS00512		WASHER D. 8 X24 ZC.	2,00			--
0078		VTVT22102		SCREW TCEI 5X70 UNI5931	4,00			--
0079		VTDD01678		NUT M 5 UNI 5588	4,00			--
0080		VTVT75731		SCREW UNI 5923 6 X5	2,00			--
0081		VTAE14016		CIRCLIP D. 12 UNI 7435	1,00			--
0082		VTRS00504		WASHER D. 8 TE ZC. UNI 6592	1,00			--
0083		VTDD00124		NUT M 8 BASSO	1,00			--
0084		VTRS00504		WASHER D. 8 TE ZC. UNI 6592	1,00			--
0086		VTVT00061		SCREW TSCE UNI 5933 6X20 ZB	6,00			--



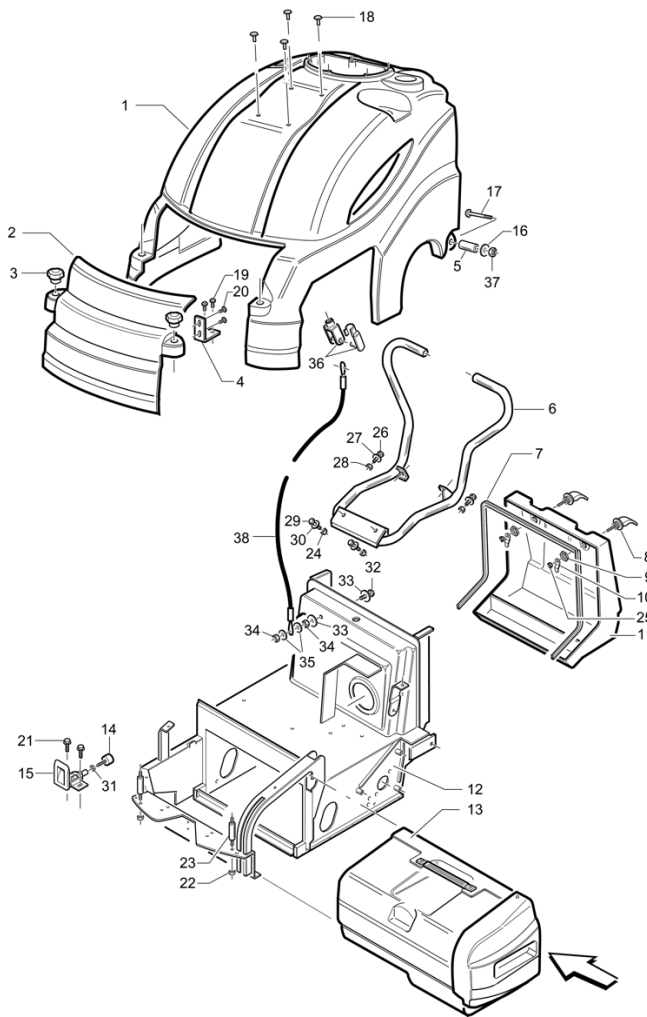
Ref. K	Part N.	Customer Part N.	Description	Qty	Validity:		Price
					From	To	
0087	VTRS00503		WASHER D. 6 TE UNI 6798	3,00			--
0088	VTDD00491		NUT M 6 TEF	3,00			--
0089	VTDD00124		NUT M 8 BASSO	1,00			--
0090	VTRS00504		WASHER D. 8 TE ZC. UNI 6592	1,00			--
0091	VTVT87456		SCREW UNI 5923 5x6	1,00			--
0091	VTVT87456		SCREW UNI 5923 5x6	1,00			--
0092	VTVT76018		SCREW	1,00			--
0093	VTAE87082		SEGER INTERNO DIN 472 D.22	1,00			--
0094	LAFN75909		SPACER D.12 H.3.5	1,00			--
0095	VTVT75727		SCREW 8 X 25 TBCE Z.B.	1,00			--
0096	VTVT87456		SCREW UNI 5923 5x6	1,00			--
0097	VTRS00504		WASHER D. 8 TE ZC. UNI 6592	2,00			--
0098	VTDD00124		NUT M 8 BASSO	1,00			--
0099	PMTR00088		HANDLE TRAZ.K E TK NUOVO MAN.COM	1,00			--



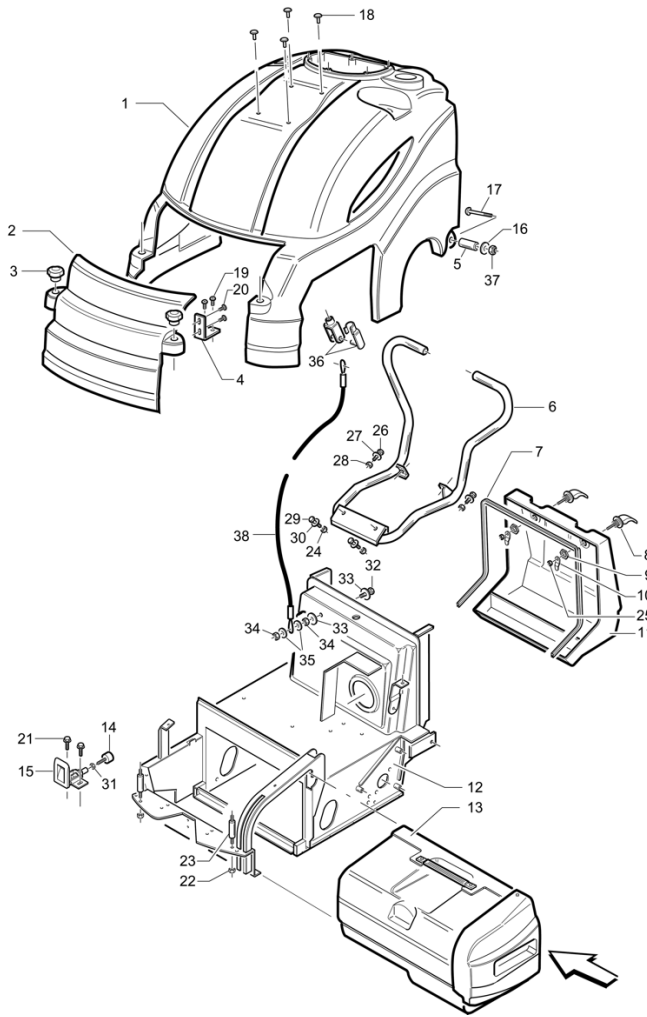
Ref.	K	Part N.	Customer Part N.	Description	Qty	Validity:		Price
						From	To	
0001		LAFN07432		BOARD 512-712 UT	1,00			--
0002		MECE00005		BOARD COMANDO 24V MOD.TK/K	1,00			--
0003		ETET01577		LABEL 512-712	1,00			--
0004		MECI75806		SWITCH CH. BENZ.	1,00			--
0005		MECI00034		COMMUTAT.SWITCHSCUOTIFILTRO COMPLETO	1,00			--
0006		VTDD00001		NUT UNI 5588 M3 ZB	2,00			--
0007		VTVT00021		SCREW TE UNI 5739 3X25 ZB	2,00			--
0008		MEVR00030		FUSE-HOLDER 4 VIE COPERCHIO TRAS.	1,00			--
0009		VTVT75726		SCREW TBEI M 6X 16 ISO 7380 ZB	2,00			--
0010		LAFN06857		SUPPORT 512-712UT	1,00			--
0011		LAFN06858		SUPPORT 512-712UT	1,00			--
0012		MEVR01136		FUSE 30A	1,00			--
0013		MEVR01136		FUSE 30A	1,00			--
0014		MEVR01136		FUSE 30A	1,00			--
0015		MEVR01136		FUSE 30A	1,00			--
0016		VTVT00044		SCREW TC AF.X PLAS UNI9707 4X16	2,00			--
0017		MPVR05254		FLANGE CARICABATTERIA	1,00			--
0018		ETET00041		LABEL PUSH 4.3X1.3	1,00			--
0019		VTVT37012		SCREW M 4X 10 TCB-TC INX	6,00			--
0020		VTVT05706		SCREW TCB-TC 4X10	4,00			--
0021		LAFN07267		BRACKET 512-712	1,00			--
0022		VTVT05706		SCREW TCB-TC 4X10	2,00			--
0023		BACA00121		BATTERY-CHARGERCBHD1 12V 10A	1,00			--
0024		MECB01045		WIRING 712	1,00			--
0025		MPVR00610		CONTAINER BAT.NERO SILVER 510/710	1,00			--
0026		VTVT00474		SCREW TSCE uni 5933 4x12 ZB	2,00			--
0028		VTDD00001		NUT UNI 5588 M3 ZB	2,00			--
0029		MPVR02939		BELT BATTERIA	1,00			--
0030		VTVT00019		SCREW TE UNI 5739 3X20 ZB	2,00			--
0031		VTVT05706		SCREW TCB-TC 4X10	2,00			--



Ref.	K	Part N.	Customer Part N.	Description	Qty	Validity: From	To	Price
FU1		MEVR01136		FUSE 30A	1,00			--
FU2		MEVR01136		FUSE 30A	1,00			--
FU3		MEVR01136		FUSE 30A	1,00			--



Ref. K	Part N.	Customer Part N.	Description	Qty	Validity:		Price
					From	To	
0001	MPVR05246		HOOD 512	1,00			--
0002	MPVR05248		SIDE PANEL 512	1,00			--
0003	RTRT00022		HANDWHEEL D.30 M6X15	2,00			--
0004	LAFN07287		BRACKET 512-712	2,00			--
0005	LAFN04043		SPACER D8.5-15	2,00			--
0006	LAFN06940		HANDLE 512	1,00			--
0007	GUVR75932		GASKET P. SW 500 TK2160090	1,00			--
0008	PMVR00138		LOCK TEK	2,00			--
0009	LAFN00259		NUT CH.24 SERRATURA TEK	2,00			--
0010	LAFN00349		LEVER SERRATURA TEK ZINCATA	2,00			--
0011	MPVR00607		DRAWER POSTERIORE SILVER 510 GRI	1,00			--
0012	LAFN07282		FRAME 512	1,00			--
0013	PMVR01409		DRAWER ANTER.SILVER 512 COMPL.	1,00			--
0014	ABGO00048		VIBRATION DAMP.-	1,00	09/2008		--
0014	VTVR00038		FOOT D.30 M8	1,00		09/2008	--
0015	PMVR00141		LEVER CHIUSURA CASS.ANT.SILVER	1,00			--
0016	VTRS00512		WASHER D. 8 X24 ZC.	2,00			--
0017	VTVT01142		SCREW TTQS M8X89	2,00			--
0018	VTVT01305		SCREW M 8X 60 TTQST UNI 5731	2,00			--
0019	VTVT34115		SCREW TE M 5X 10 UNI 5739	4,00			--
0020	VTVT34115		SCREW TE M 5X 10 UNI 5739	4,00			--
0021	VTVT62920		SCREW TE F/ROND. M 6X 16 ZB	2,00			--
0022	VTDD00491		NUT M 6 TEF	2,00			--
0023	LAFN07271		PIN 512-712	2,00			--
0024	VTDD00483		NUT M 8 ZIN UNI 5588	4,00			--
0025	VTDD00057		NUT UNI 5589 M8 BASSO ZB	2,00			--
0026	VTVT00248		SCREW TE M&x45 UNI5739 8.8 ZNT	4,00			--
0027	VTRS04026		WASHER D. 6X18X2.38	4,00			--
0028	VTDD00491		NUT M 6 TEF	4,00			--
0029	VTVT00710		CARRYNG BAG	2,00			--
0030	VTRS00504		WASHER D. 8 TE ZC. UNI 6592	4,00			--
0031	VTDD00057		NUT UNI 5589 M8 BASSO ZB	1,00			--
0032	VTVT00448		SCREW TE 8X30 UNI5739	1,00			--
0033	VTRS00512		WASHER D. 8 X24 ZC.	2,00			--
0034	VTDD00041		SELF-LOCJ.NUT M 8 UNI7473 8.8 ZNT	2,00			--
0035	VTRS00512		WASHER D. 8 X24 ZC.	1,00			--
0036	CMCV00001		FORK UNI 1676 M8X16	1,00			--
0036	CMCV75718		CLIP UNI 1676 M8	1,00			--
0037	VTDD00041		SELF-LOCJ.NUT M 8 UNI7473 8.8 ZNT	2,00			--



Ref. K	Part N.	Customer Part N.	Description	Qty	Validity:		Price
					From	To	
0038	CMCV00430		CABLE 512-712	1,00			--