



**IPC Integrated Professional Cleaning**

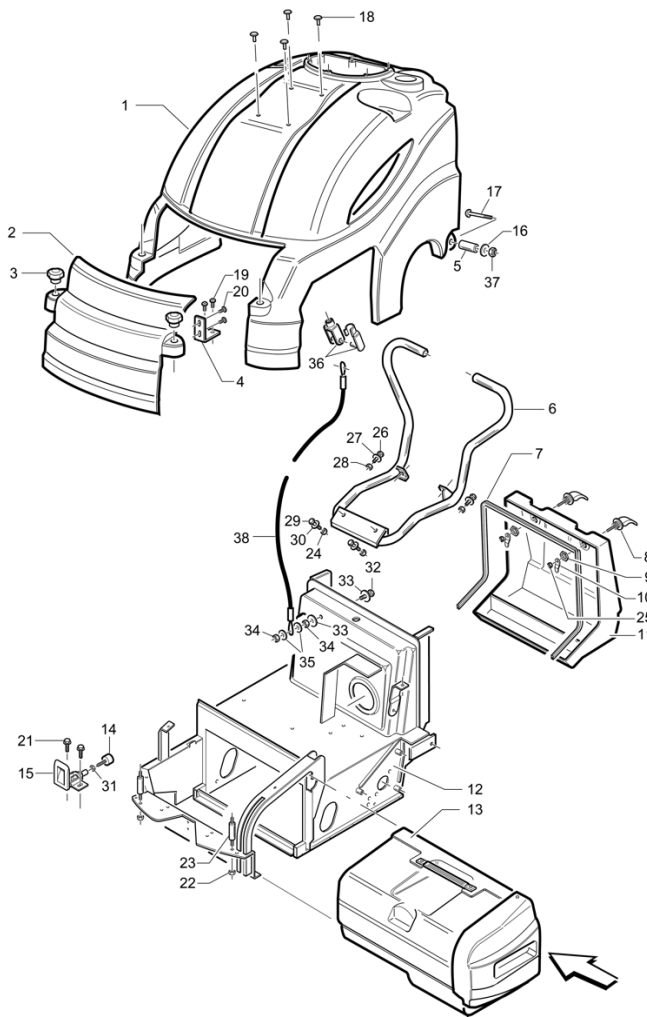
**IPC Gansow**

## **Spare Parts List**

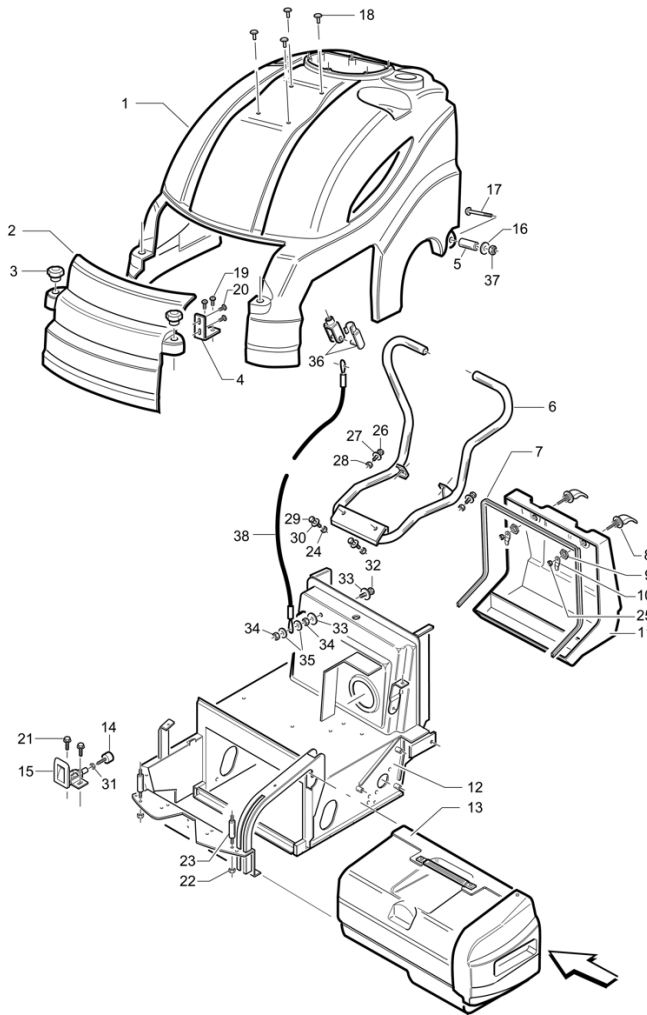
**TAVERNARO AG**

**Ref: MSUT00588**

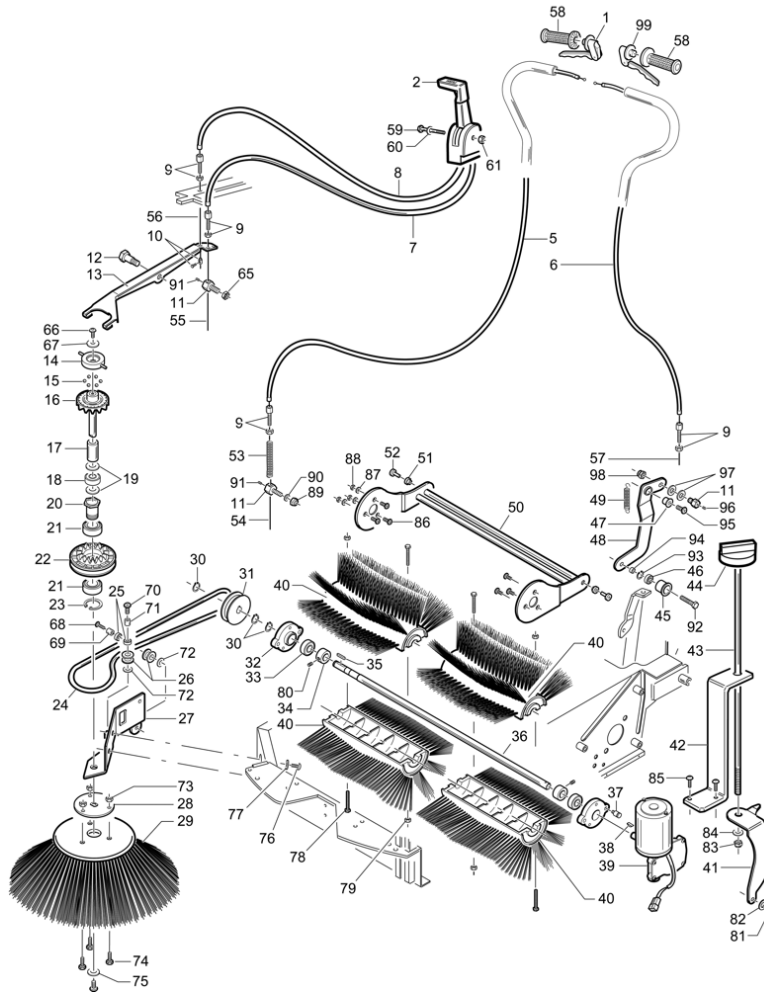
**Model: Spazzatrice 512ET + SF + C.B. EU DIBO**



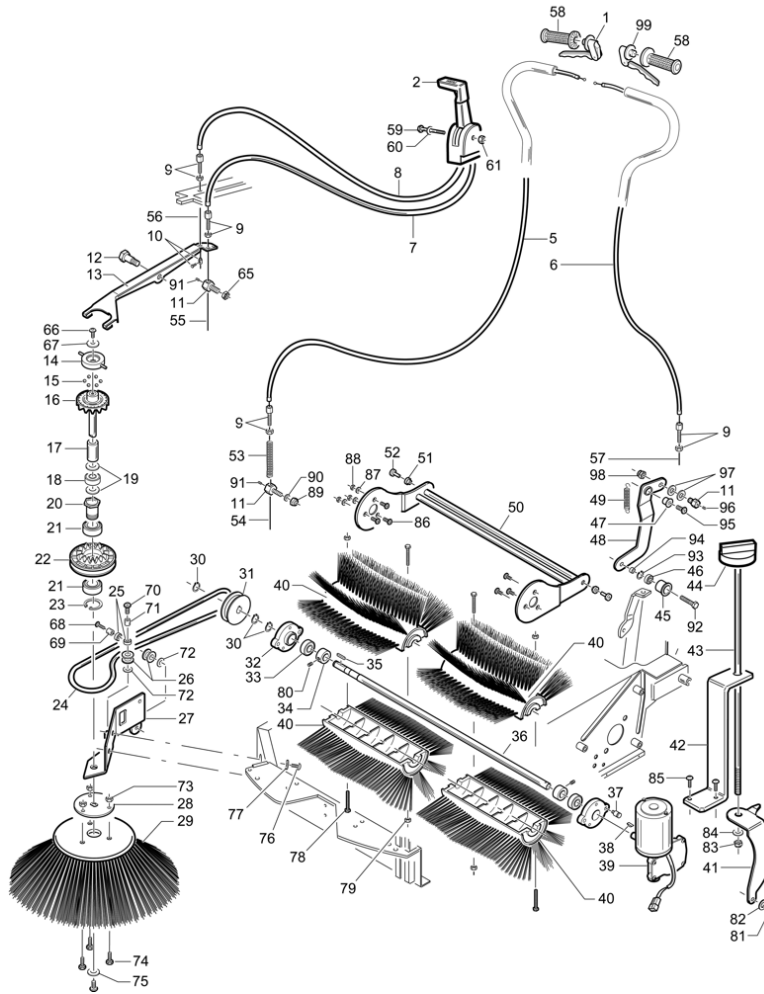
| Ref. K | Part N.   | Customer Part N. | Description                       | Qty  | Validity:<br>From To | Price   |
|--------|-----------|------------------|-----------------------------------|------|----------------------|---------|
| 0001   | MPVR05246 |                  | HOOD 512                          | 1,00 |                      | --      |
| 0002   | MPVR05248 |                  | SIDE PANEL 512                    | 1,00 |                      | --      |
| 0003   | RTRT00022 |                  | HANDWHEEL D.30 M6X15              | 2,00 |                      | --      |
| 0004   | LAFN07287 |                  | BRACKET 512-712                   | 2,00 |                      | --      |
| 0005   | LAFN04043 |                  | SPACER D8.5-15                    | 2,00 |                      | --      |
| 0006   | LAFN07263 |                  | HANDLE 512                        | 1,00 |                      | --      |
| 0007   | GUVR75932 |                  | GASKET P. SW 500 TK2160090        | 1,00 |                      | --      |
| 0008   | PMVR00138 |                  | LOCK TEK                          | 2,00 |                      | --      |
| 0009   | LAFN00259 |                  | NUT CH.24 SERRATURA TEK           | 2,00 |                      | --      |
| 0010   | LAFN00349 |                  | LEVER SERRATURA TEK ZINCATA       | 2,00 |                      | --      |
| 0011   | MPVR00607 |                  | DRAWER POSTERIORE SILVER 510 GRI  | 1,00 |                      | --      |
| 0012   | LAFN07282 |                  | FRAME 512                         | 1,00 |                      | --      |
| 0013   | PMVR01409 |                  | DRAWER ANTER.SILVER 512 COMPL.    | 1,00 |                      | --      |
| 0014   | ABGO00048 |                  | VIBRATION DAMP.-                  | 1,00 | 09/2008              | --      |
| 0014   | VTVR00038 |                  | FOOT D.30 M8                      | 1,00 |                      | 09/2008 |
| 0015   | PMVR00141 |                  | LEVER CHIUSURA CASS.ANT.SILVER    | 1,00 |                      | --      |
| 0016   | VTRS00512 |                  | WASHER D. 8 X24 ZC.               | 2,00 |                      | --      |
| 0017   | VTVT01142 |                  | SCREW TTQS M8X89                  | 2,00 |                      | --      |
| 0018   | VTVT01305 |                  | SCREW M 8X 60 TTQST UNI 5731      | 2,00 |                      | --      |
| 0019   | VTVT34115 |                  | SCREW TE M 5X 10 UNI 5739         | 4,00 |                      | --      |
| 0020   | VTVT34115 |                  | SCREW TE M 5X 10 UNI 5739         | 4,00 |                      | --      |
| 0021   | VTVT62920 |                  | SCREW TE F/ROND. M 6X 16 ZB       | 2,00 |                      | --      |
| 0022   | VTDD00491 |                  | NUT M 6 TEF                       | 2,00 |                      | --      |
| 0023   | LAFN07271 |                  | PIN 512-712                       | 2,00 |                      | --      |
| 0024   | VTDD00483 |                  | NUT M 8 ZIN UNI 5588              | 4,00 |                      | --      |
| 0025   | VTDD00057 |                  | NUT UNI 5589 M8 BASSO ZB          | 2,00 |                      | --      |
| 0026   | VTVT00248 |                  | SCREW TE M&x45 UNI5739 8.8 ZNT    | 4,00 |                      | --      |
| 0027   | VTRS04026 |                  | WASHER D. 6X18X2.38               | 4,00 |                      | --      |
| 0028   | VTDD00491 |                  | NUT M 6 TEF                       | 4,00 |                      | --      |
| 0029   | VTVT00710 |                  | CARRYNG BAG                       | 2,00 |                      | --      |
| 0030   | VTRS00504 |                  | WASHER D. 8 TE ZC. UNI 6592       | 4,00 |                      | --      |
| 0031   | VTDD00057 |                  | NUT UNI 5589 M8 BASSO ZB          | 1,00 |                      | --      |
| 0032   | VTVT00448 |                  | SCREW TE 8X30 UNI5739             | 1,00 |                      | --      |
| 0033   | VTRS00512 |                  | WASHER D. 8 X24 ZC.               | 2,00 |                      | --      |
| 0034   | VTDD00041 |                  | SELF-LOCJ.NUT M 8 UNI7473 8.8 ZNT | 2,00 |                      | --      |
| 0035   | VTRS00512 |                  | WASHER D. 8 X24 ZC.               | 1,00 |                      | --      |
| 0036   | CMCV00001 |                  | FORK UNI 1676 M8X16               | 1,00 |                      | --      |
| 0036   | CMCV75718 |                  | CLIP UNI 1676 M8                  | 1,00 |                      | --      |
| 0037   | VTDD00041 |                  | SELF-LOCJ.NUT M 8 UNI7473 8.8 ZNT | 2,00 |                      | --      |



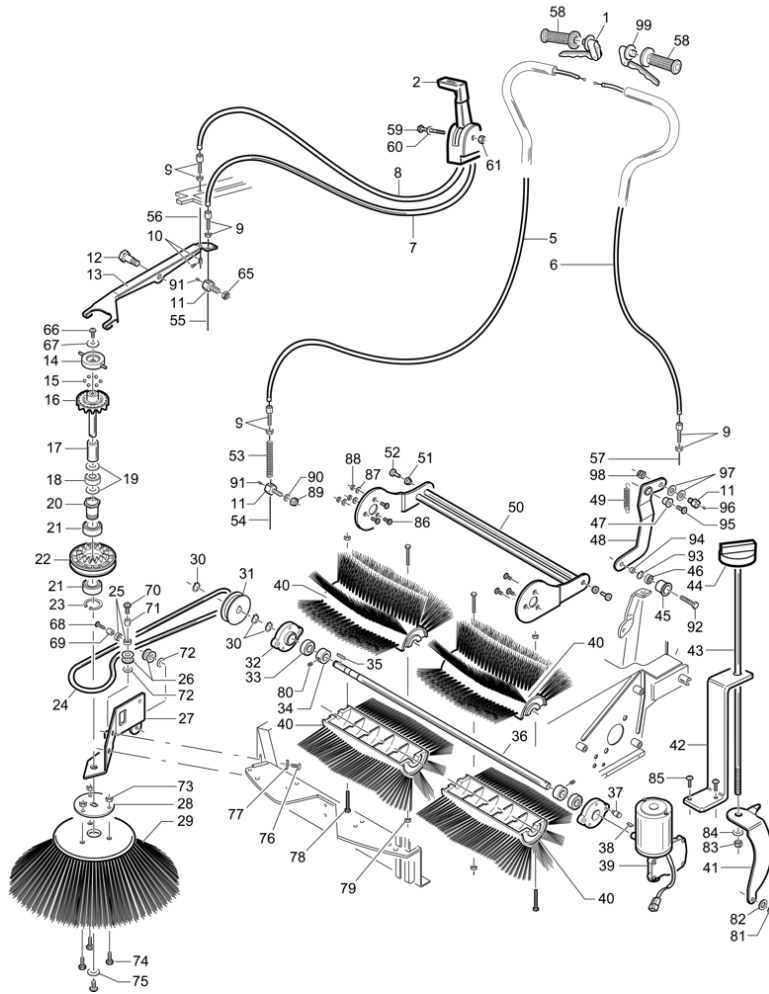
| Ref. K | Part N.   | Customer Part N. | Description   | Qty  | Validity: |    | Price |
|--------|-----------|------------------|---------------|------|-----------|----|-------|
|        |           |                  |               |      | From      | To |       |
| 0038   | CMCV00430 |                  | CABLE 512-712 | 1,00 |           |    | --    |



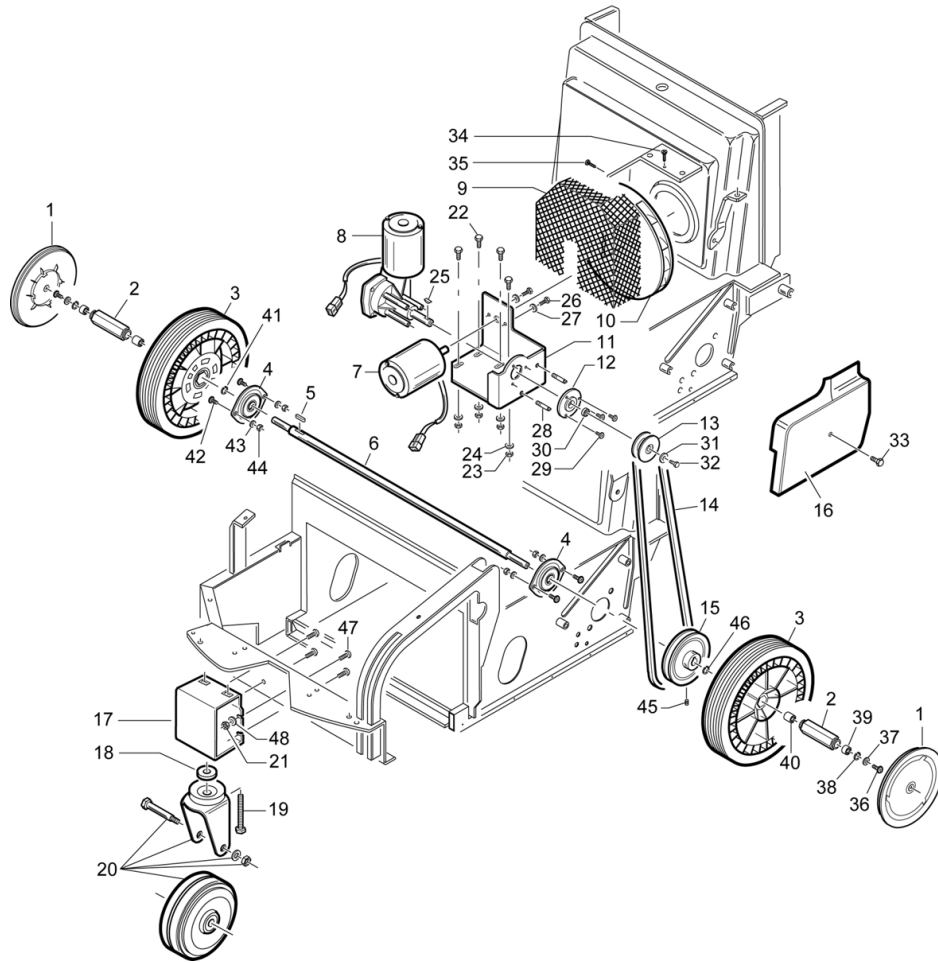
| Ref. K | Part N.   | Customer Part N. | Description                        | Qty  | Validity: |    | Price |
|--------|-----------|------------------|------------------------------------|------|-----------|----|-------|
|        |           |                  |                                    |      | From      | To |       |
| 0001   | PMTR00089 |                  | HANDLE TRAZ.K E TK NUOVO MAN.COM   | 1,00 |           |    | --    |
| 0002   | LAFN75738 |                  | TRIGGER                            | 1,00 |           |    | --    |
| 0005   | CMCV00345 |                  | SHEATH 512-712 UT                  | 1,00 |           |    | --    |
| 0006   | CMCV00347 |                  | SHEATH 512-712 UT                  | 1,00 |           |    | --    |
| 0007   | CMCV00351 |                  | SHEATH 512-712 UT                  | 1,00 |           |    | --    |
| 0008   | CMCV00350 |                  | SHEATH 512-712 UT                  | 1,00 |           |    | --    |
| 0009   | CMCV75723 |                  | REGISTER D.7                       | 4,00 |           |    | --    |
| 0010   | CMCV75737 |                  | CLAMP D.7 art.857                  | 1,00 |           |    | --    |
| 0011   | LAFN01068 |                  | SCREW CH.17 H.28 FISSAGGIO FILO    | 3,00 |           |    | --    |
| 0012   | LAFN75968 |                  | PIN                                | 1,00 |           |    | --    |
| 0013   | LAFN75953 |                  | LEVER                              | 1,00 |           |    | --    |
| 0014   | LAFN75824 |                  | RING                               | 1,00 |           |    | --    |
| 0015   | SFVR00002 |                  | BALL 11/32"                        | 6,00 |           |    | --    |
| 0016   | LAFN75826 |                  | RING                               | 1,00 |           |    | --    |
| 0017   | LAFN75912 |                  | SPACER                             | 1,00 |           |    | --    |
| 0018   | CUVR37344 |                  | ROLLER BEARING HK 1412             | 1,00 |           |    | --    |
| 0019   | VTRS75831 |                  | WASHER                             | 2,00 |           |    | --    |
| 0020   | LAFN75833 |                  | BUSHING                            | 1,00 |           |    | --    |
| 0021   | CUVR86893 |                  | BEARING 6005 2RS                   | 2,00 |           |    | --    |
| 0022   | LAFN75827 |                  | RING                               | 1,00 |           |    | --    |
| 0023   | VTAE09655 |                  | CIRCLIP D. 25 UNI 7435             | 1,00 |           |    | --    |
| 0024   | MTCG85335 |                  | BELT D. 8X1000                     | 1,00 |           |    | --    |
| 0025   | CUVR75814 |                  | BEARING HK1012                     | 2,00 |           |    | --    |
| 0026   | MTPL75996 |                  | PULLEY D.27x15                     | 1,00 |           |    | --    |
| 0027   | LAFN76005 |                  | SUPPORT                            | 1,00 |           |    | --    |
| 0028   | LAFN75986 |                  | FLANGE                             | 1,00 |           |    | --    |
| 0029   | PMVR00248 |                  | SIDE-BRUSH TK COMPLETA PPL 70      | 1,00 |           |    | --    |
| 0030   | VTAE17003 |                  | CIRCLIP D. 15 UNI 7435             | 3,00 |           |    | --    |
| 0031   | MTPL75980 |                  | PULLEY TKE                         | 1,00 |           |    | --    |
| 0032   | PMTR00026 |                  | SUPPORT D.90 DX/SX(2 INS.)+CRUS    | 2,00 |           |    | --    |
| 0033   | CUVR00005 |                  | BEARING 6202 2RS                   | 2,00 |           |    | --    |
| 0034   | LAFN26588 |                  | SPACER LOLY 50                     | 2,00 |           |    | --    |
| 0035   | VTVR26559 |                  | KEY 5X5X15                         | 1,00 |           |    | --    |
| 0036   | ALTR75822 |                  | BRUSH SHAFT TK500 E                | 1,00 |           |    | --    |
| 0037   | LAFN75971 |                  | PIN                                | 1,00 |           |    | --    |
| 0038   | VTVR75730 |                  | KEY UNI 6606 3 X 3,7               | 1,00 |           |    | --    |
| 0039   | RDGR75782 |                  | MOTOR.GEARBOX d.77 TK 500          | 1,00 |           |    | --    |
| 0040   | SPPV00048 |                  | BRUSH CENTRALE                     | 2,00 |           |    | --    |
| 0041   | LAFN00342 |                  | BRACKET REGOL.SP AZ.CENTR.TKE ZINC | 1,00 |           |    | --    |



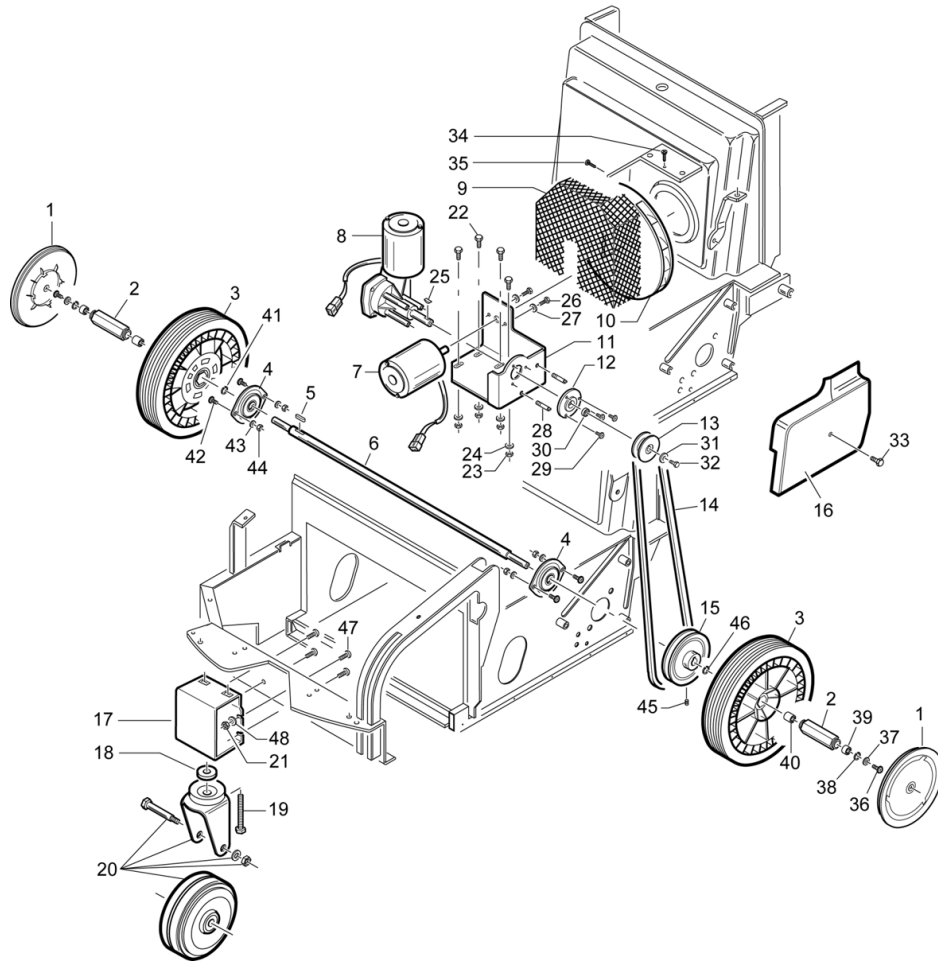
| Ref. K | Part N.   | Customer Part N. | Description                      | Qty  | Validity: |    | Price |
|--------|-----------|------------------|----------------------------------|------|-----------|----|-------|
|        |           |                  |                                  |      | From      | To |       |
| 0042   | LAFN07265 |                  | BRACKET 512-712                  | 1,00 |           |    | --    |
| 0043   | LAFN07266 |                  | ROD 512-712                      | 1,00 |           |    | --    |
| 0044   | MPVR10084 |                  | SWITCH KNOB O.K.A.               | 1,00 |           |    | --    |
| 0045   | MTPL37338 |                  | PULLEY L.50TE                    | 1,00 |           |    | --    |
| 0046   | CUVR71988 |                  | BEARING 608 2RS                  | 1,00 |           |    | --    |
| 0047   | MPVR75836 |                  | BUSHING NYLON TK                 | 1,00 |           |    | --    |
| 0048   | LAFN87609 |                  | BRACKET TENDICINGHIA TKE ZINCATA | 1,00 |           |    | --    |
| 0049   | MLML75960 |                  | SPRING D. 8 X1 X32               | 1,00 |           |    | --    |
| 0050   | LAFN00035 |                  | BALANCER TK500 K501 ZINCATO      | 1,00 |           |    | --    |
| 0051   | LAFN75834 |                  | BUSHING                          | 2,00 |           |    | --    |
| 0052   | LAFN76019 |                  | PIN D.15 H.25 TK                 | 2,00 |           |    | --    |
| 0053   | MLML00033 |                  | SPRING ALZAFLAP SILVER ZB        | 1,00 |           |    | --    |
| 0054   | CMCV00346 |                  | CABLE 512-712 UT                 | 1,00 |           |    | --    |
| 0055   | CMCV00349 |                  | CABLE 512-712 UT                 | 1,00 |           |    | --    |
| 0057   | CMCV00348 |                  | CABLE 512-712 UT                 | 1,00 |           |    | --    |
| 0058   | MPVR00036 |                  | KNOB GOMMA NERA D.24/24 FORATA   | 2,00 |           |    | --    |
| 0059   | LAFN75738 |                  | TRIGGER                          | 1,00 |           |    | --    |
| 0061   | LAFN75738 |                  | TRIGGER                          | 1,00 |           |    | --    |
| 0065   | VTDD13261 |                  | NUT M 8X1 UNI 5589               | 1,00 |           |    | --    |
| 0066   | VTVT75724 |                  | SCREW TBEI M 8X 22 ISO 7380 ZB   | 1,00 |           |    | --    |
| 0067   | VTRS00513 |                  | WASHER D. 8 X32 P.               | 1,00 |           |    | --    |
| 0068   | VTVT75727 |                  | SCREW 8 X 25 TBCE Z.B.           | 1,00 |           |    | --    |
| 0069   | LAFN75840 |                  | BUSHING D.10x15.6                | 1,00 |           |    | --    |
| 0070   | VTVT75727 |                  | SCREW 8 X 25 TBCE Z.B.           | 1,00 |           |    | --    |
| 0071   | LAFN75840 |                  | BUSHING D.10x15.6                | 1,00 |           |    | --    |
| 0072   | VTRS00504 |                  | WASHER D. 8 TE ZC. UNI 6592      | 1,00 |           |    | --    |
| 0073   | VTDD13261 |                  | NUT M 8X1 UNI 5589               | 3,00 |           |    | --    |
| 0074   | VTVT00527 |                  | SCREW TE FR 6X10 ZB ZIG.         | 3,00 |           |    | --    |
| 0075   | VTRS63242 |                  | WASHER D. 6 X24 ZC               | 1,00 |           |    | --    |
| 0076   | VTVT45395 |                  | SCREW TBEI M 8X 10 ISO 7380 ZB   | 2,00 |           |    | --    |
| 0077   | VTRS00512 |                  | WASHER D. 8 X24 ZC.              | 2,00 |           |    | --    |
| 0078   | VTVT22102 |                  | SCREW TCEI 5X70 UNI5931          | 4,00 |           |    | --    |
| 0079   | VTDD01678 |                  | NUT M 5 UNI 5588                 | 4,00 |           |    | --    |
| 0080   | VTVT75731 |                  | SCREW UNI 5923 6 X5              | 2,00 |           |    | --    |
| 0081   | VTAE14016 |                  | CIRCLIP D. 12 UNI 7435           | 1,00 |           |    | --    |
| 0082   | VTRS00504 |                  | WASHER D. 8 TE ZC. UNI 6592      | 1,00 |           |    | --    |
| 0083   | VTDD00124 |                  | NUT M 8 BASSO                    | 1,00 |           |    | --    |
| 0084   | VTRS00504 |                  | WASHER D. 8 TE ZC. UNI 6592      | 1,00 |           |    | --    |
| 0086   | VTVT00061 |                  | SCREW TSCE UNI 5933 6X20 ZB      | 6,00 |           |    | --    |



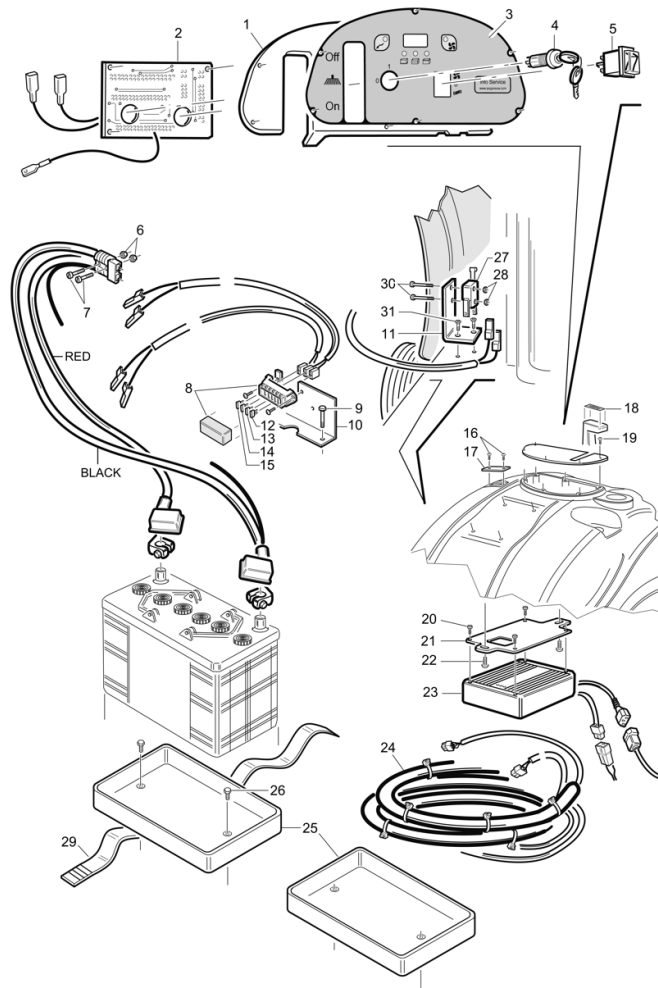
| Ref. K | Part N.   | Customer Part N. | Description                      | Qty  | Validity: |    | Price |
|--------|-----------|------------------|----------------------------------|------|-----------|----|-------|
|        |           |                  |                                  |      | From      | To |       |
| 0087   | VTRS00503 |                  | WASHER D. 6 TE UNI 6798          | 3,00 |           |    | --    |
| 0088   | VTDD00491 |                  | NUT M 6 TEF                      | 3,00 |           |    | --    |
| 0089   | VTDD00124 |                  | NUT M 8 BASSO                    | 1,00 |           |    | --    |
| 0090   | VTRS00504 |                  | WASHER D. 8 TE ZC. UNI 6592      | 1,00 |           |    | --    |
| 0091   | VTVT87456 |                  | SCREW UNI 5923 5x6               | 1,00 |           |    | --    |
| 0091   | VTVT87456 |                  | SCREW UNI 5923 5x6               | 1,00 |           |    | --    |
| 0092   | VTVT76018 |                  | SCREW                            | 1,00 |           |    | --    |
| 0093   | VTAE87082 |                  | SEGER INTERNO DIN 472 D.22       | 1,00 |           |    | --    |
| 0094   | LAFN75909 |                  | SPACER D.12 H.3.5                | 1,00 |           |    | --    |
| 0095   | VTVT75727 |                  | SCREW 8 X 25 TBCE Z.B.           | 1,00 |           |    | --    |
| 0096   | VTVT87456 |                  | SCREW UNI 5923 5x6               | 1,00 |           |    | --    |
| 0097   | VTRS00504 |                  | WASHER D. 8 TE ZC. UNI 6592      | 2,00 |           |    | --    |
| 0098   | VTDD00124 |                  | NUT M 8 BASSO                    | 1,00 |           |    | --    |
| 0099   | PMTR00088 |                  | HANDLE TRAZ.K E TK NUOVO MAN.COM | 1,00 |           |    | --    |



| Ref. K | Part N.   | Customer Part N. | Description                      | Qty  | Validity: From | To      | Price |
|--------|-----------|------------------|----------------------------------|------|----------------|---------|-------|
| 0001   | MPVR00541 |                  | WHEEL'S COVER D.200 NERO         | 2,00 |                |         | --    |
| 0002   | LAFN75838 |                  | BUSHING                          | 2,00 |                |         | --    |
| 0003   | RTRT00030 |                  | WHEEL GOMMA D.250X55 NE CERC.GR  | 2,00 |                |         | --    |
| 0004   | CUVR75815 |                  | BALL BEARING UBPF203             | 2,00 |                |         | --    |
| 0005   | VTVR26559 |                  | KEY 5X5X15                       | 1,00 |                |         | --    |
| 0006   | ALTR75820 |                  | TRACTION SHAFT TK500 H.697       | 1,00 |                |         | --    |
| 0007   | MOCC75780 |                  | MOTOR D.77 24V                   | 1,00 |                |         | --    |
| 0008   | RDGR75782 |                  | MOTOR.GEARBOX d.77 TK 500        | 1,00 |                |         | --    |
| 0009   | LAFN00876 |                  | PROTECTION                       | 1,00 |                | 06/2008 | --    |
| 0009   | LAFN00885 |                  | BRACKET                          | 1,00 | 07/2008        |         | --    |
| 0010   | VEVR26677 |                  | IMPELLER D.200 L.50HE            | 1,00 |                |         | --    |
| 0011   | LAFN00652 |                  | SUPPORT MOTORI TK ZINCATO        | 1,00 |                |         | --    |
| 0012   | LAFN48900 |                  | SUPPORT 6000 TK                  | 1,00 |                |         | --    |
| 0013   | MTPL75985 |                  | PULLEY D.55                      | 1,00 |                |         | --    |
| 0014   | MTCG13166 |                  | BELT Z 30                        | 1,00 |                |         | --    |
| 0015   | MTPL75984 |                  | PULLEY D.140                     | 1,00 |                |         | --    |
| 0016   | MPVR05415 |                  | CONVEYOR -                       | 1,00 | 07/2008        |         | --    |
| 0016   | MPVR00611 |                  | CONVEYOR ARIA VERSIONE ELETTRICA | 1,00 |                | 06/2008 | --    |
| 0017   | LAFN07275 |                  | SHEET METAL PA.CASSETTO          | 1,00 |                |         | --    |
| 0018   | LAFN75910 |                  | SPACER                           | 1,00 |                |         | --    |
| 0019   | VTVT00028 |                  | SCREW TE UNI 5739 12X45 ZB       | 1,00 |                |         | --    |
| 0020   | RTRT24661 |                  | TURNING WHEEL D.100 NTR          | 1,00 |                |         | --    |
| 0021   | VTDD00491 |                  | NUT M 6 TEF                      | 4,00 |                |         | --    |
| 0022   | VTVT62920 |                  | SCREW TE F/ROND. M 6X 16 ZB      | 4,00 |                |         | --    |
| 0023   | VTDD00491 |                  | NUT M 6 TEF                      | 4,00 |                |         | --    |
| 0024   | VTRS04026 |                  | WASHER D. 6X18X2.38              | 4,00 |                |         | --    |
| 0025   | VTVR75730 |                  | KEY UNI 6606 3 X 3,7             | 1,00 |                |         | --    |
| 0026   | VTVT14062 |                  | SCREW TE 5X16 UNI5739            | 2,00 |                |         | --    |
| 0027   | VTRS00291 |                  | WASHER D. 5 X20 ZC UNI 6593      | 2,00 |                |         | --    |
| 0028   | LAFN75969 |                  | PIN D.9 H.33                     | 1,00 |                |         | --    |
| 0029   | VTVT85745 |                  | SCREW TBEI M 6X 25 ISO 7380 ZB   | 3,00 |                |         | --    |
| 0030   | CUVR86373 |                  | BEARING 6000 2RS                 | 1,00 |                |         | --    |
| 0031   | VTRS00291 |                  | WASHER D. 5 X20 ZC UNI 6593      | 1,00 |                |         | --    |
| 0032   | VTVT00003 |                  | SCREW TE M 4X 12 ZC. UNI 5739    | 1,00 |                |         | --    |
| 0033   | VTVT00527 |                  | SCREW TE FR 6X10 ZB ZIG.         | 1,00 |                |         | --    |
| 0034   | VTVT00099 |                  | SCREW AUTOF.TC UNI 6954 3,9X13   | 1,00 |                |         | --    |
| 0035   | VTVT00099 |                  | SCREW AUTOF.TC UNI 6954 3,9X13   | 1,00 |                |         | --    |
| 0036   | VTVT75725 |                  | SCREW TBEI M 6X 10 ISO 7380 ZB   | 2,00 |                |         | --    |
| 0037   | VTRS63242 |                  | WASHER D. 6 X24 ZC               | 2,00 |                |         | --    |

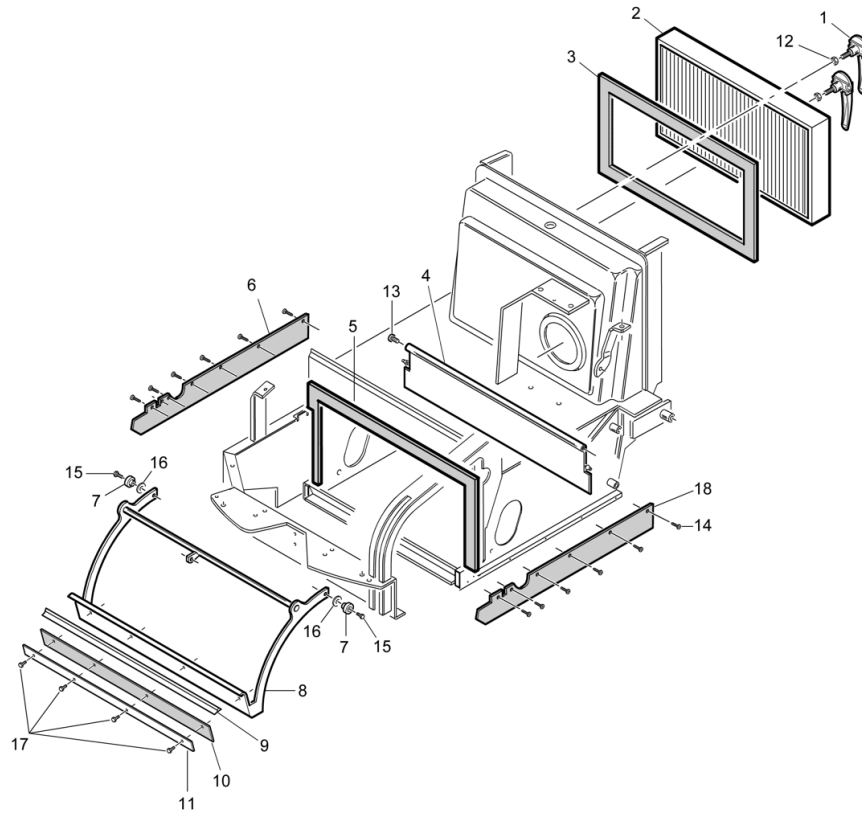


| Ref. K | Part N.   | Customer Part N. | Description                    | Qty  | Validity: |    | Price |
|--------|-----------|------------------|--------------------------------|------|-----------|----|-------|
|        |           |                  |                                |      | From      | To |       |
| 0038   | VTAE28493 |                  | CIRCLIP D. 28 UNI 7435         | 2,00 |           |    | --    |
| 0039   | CUVR37341 |                  | ROLLER BEARING HFL 1426        | 2,00 |           |    | --    |
| 0040   | CUVR37344 |                  | ROLLER BEARING HK 1412         | 2,00 |           |    | --    |
| 0041   | VTAE28493 |                  | CIRCLIP D. 28 UNI 7435         | 1,00 |           |    | --    |
| 0042   | VTVT75721 |                  | SCREW TTDE UNI 5732 6 X 16 ZB  | 4,00 |           |    | --    |
| 0043   | VTRS00503 |                  | WASHER D. 6 TE UNI 6798        | 4,00 |           |    | --    |
| 0044   | VTDD00491 |                  | NUT M 6 TEF                    | 4,00 |           |    | --    |
| 0045   | VTVT86570 |                  | GRUB SCREW M 6x10 UNI 5927     | 1,00 |           |    | --    |
| 0046   | VTAE28493 |                  | CIRCLIP D. 28 UNI 7435         | 1,00 |           |    | --    |
| 0047   | VTVT75726 |                  | SCREW TBEI M 6X 16 ISO 7380 ZB | 4,00 |           |    | --    |
| 0048   | VTRS04026 |                  | WASHER D. 6X18X2.38            | 4,00 |           |    | --    |

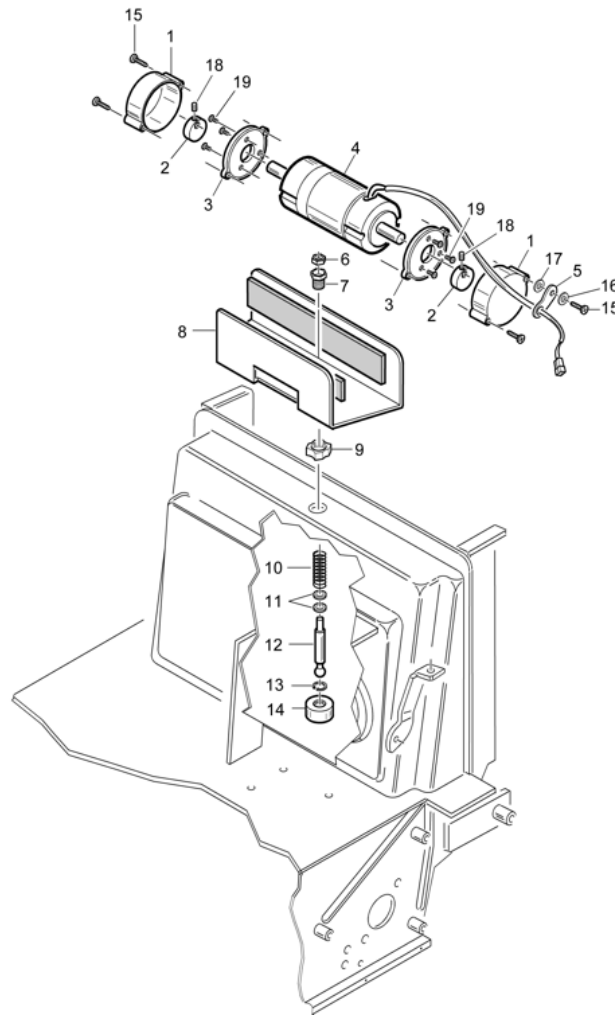


| Ref. | K | Part N.   | Customer Part N. | Description                          | Qty  | Validity: |    | Price |
|------|---|-----------|------------------|--------------------------------------|------|-----------|----|-------|
|      |   |           |                  |                                      |      | From      | To |       |
| 0001 |   | LAFN07432 |                  | BOARD 512-712 UT                     | 1,00 |           |    | --    |
| 0002 |   | MECE75944 |                  | PCB 12V                              | 1,00 |           |    | --    |
| 0003 |   | ETET01577 |                  | LABEL 512-712                        | 1,00 |           |    | --    |
| 0004 |   | MECI75805 |                  | SWITCH TK                            | 1,00 |           |    | --    |
| 0005 |   | MECI00034 |                  | COMMUTAT.SWITCHSCUOTIFILTRO COMPLETO | 1,00 |           |    | --    |
| 0006 |   | VTDD00001 |                  | NUT UNI 5588 M3 ZB                   | 2,00 |           |    | --    |
| 0007 |   | VTVT00021 |                  | SCREW TE UNI 5739 3X25 ZB            | 2,00 |           |    | --    |
| 0008 |   | MEVR00030 |                  | FUSE-HOLDER 4 VIE COPERCHIO TRAS.    | 1,00 |           |    | --    |
| 0009 |   | VTVT75726 |                  | SCREW TBEI M 6X 16 ISO 7380 ZB       | 2,00 |           |    | --    |
| 0010 |   | LAFN06857 |                  | SUPPORT 512-712UT                    | 1,00 |           |    | --    |
| 0011 |   | LAFN06858 |                  | SUPPORT 512-712UT                    | 1,00 |           |    | --    |
| 0012 |   | MEVR01136 |                  | FUSE 30A                             | 1,00 |           |    | --    |
| 0013 |   | MEVR01136 |                  | FUSE 30A                             | 1,00 |           |    | --    |
| 0014 |   | MEVR01136 |                  | FUSE 30A                             | 1,00 |           |    | --    |
| 0015 |   | MEVR01136 |                  | FUSE 30A                             | 1,00 |           |    | --    |
| 0016 |   | VTVT00044 |                  | SCREW TC AF.X PLAS UNI9707 4X16      | 2,00 |           |    | --    |
| 0017 |   | MPVR05254 |                  | FLANGE CARICABATTERIA                | 1,00 |           |    | --    |
| 0018 |   | ETET00041 |                  | LABEL PUSH 4.3X1.3                   | 1,00 |           |    | --    |
| 0019 |   | VTVT37012 |                  | SCREW M 4X 10 TCB-TC INX             | 6,00 |           |    | --    |
| 0020 |   | VTVT05706 |                  | SCREW TCB-TC 4X10                    | 4,00 |           |    | --    |
| 0021 |   | LAFN07267 |                  | BRACKET 512-712                      | 1,00 |           |    | --    |
| 0022 |   | VTVT05706 |                  | SCREW TCB-TC 4X10                    | 2,00 |           |    | --    |
| 0023 |   | BACA00121 |                  | BATTERY-CHARGERCBHD1 12V 10A         | 1,00 |           |    | --    |
| 0024 |   | MECB01044 |                  | WIRING 512                           | 1,00 |           |    | --    |
| 0025 |   | MPVR00610 |                  | CONTAINER BAT.NERO SILVER 510/710    | 1,00 |           |    | --    |
| 0026 |   | VTVT00474 |                  | SCREW TSCE uni 5933 4x12 ZB          | 2,00 |           |    | --    |
| 0028 |   | VTDD00001 |                  | NUT UNI 5588 M3 ZB                   | 2,00 |           |    | --    |
| 0029 |   | MPVR02939 |                  | BELT BATTERIA                        | 1,00 |           |    | --    |
| 0030 |   | VTVT00021 |                  | SCREW TE UNI 5739 3X25 ZB            | 2,00 |           |    | --    |
| 0031 |   | VTVT00003 |                  | SCREW TE M 4X 12 ZC. UNI 5739        | 2,00 |           |    | --    |

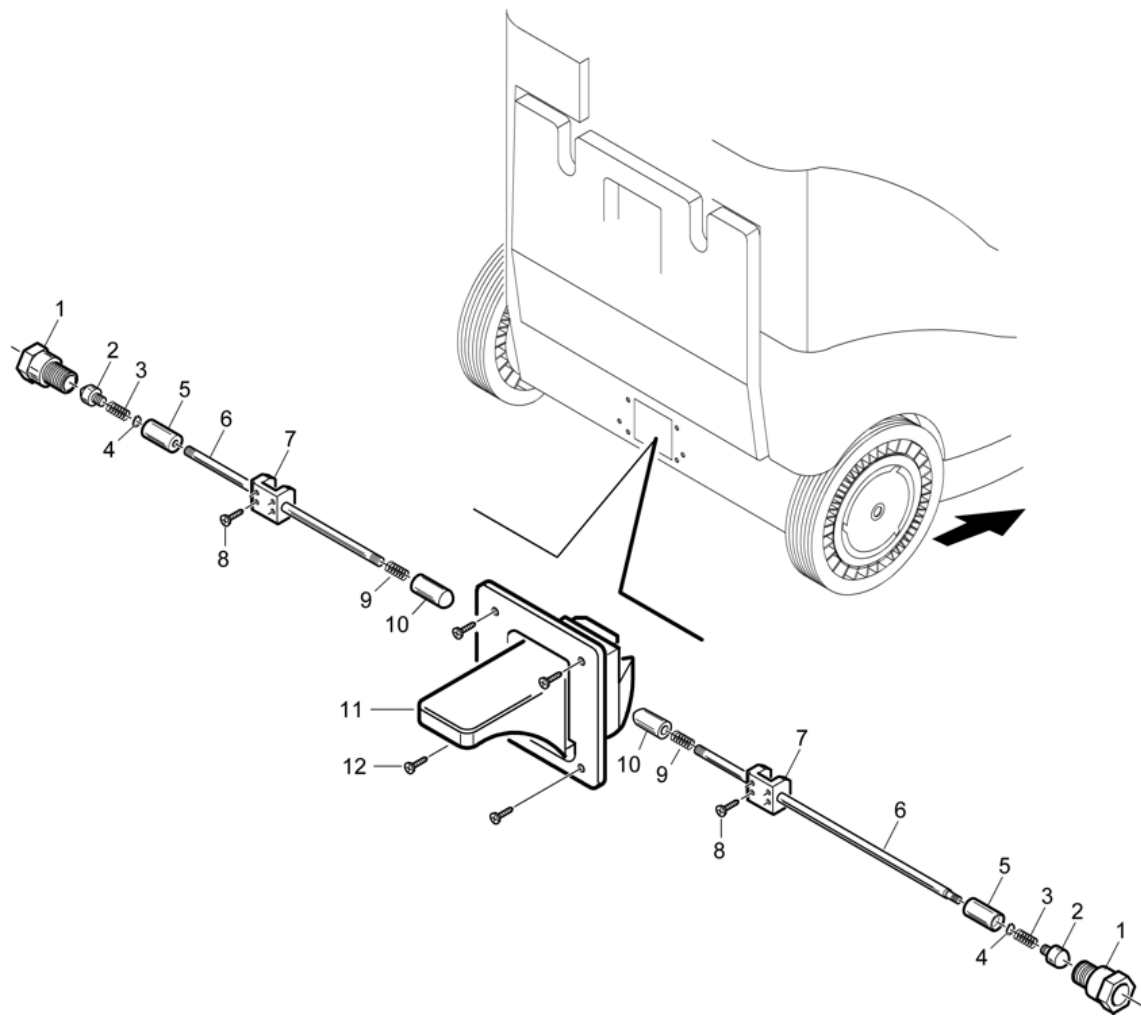
IP-CLEANING - TAV. 05-R  
 SILVER 512 - 712 .....  
 (16.10.2007)



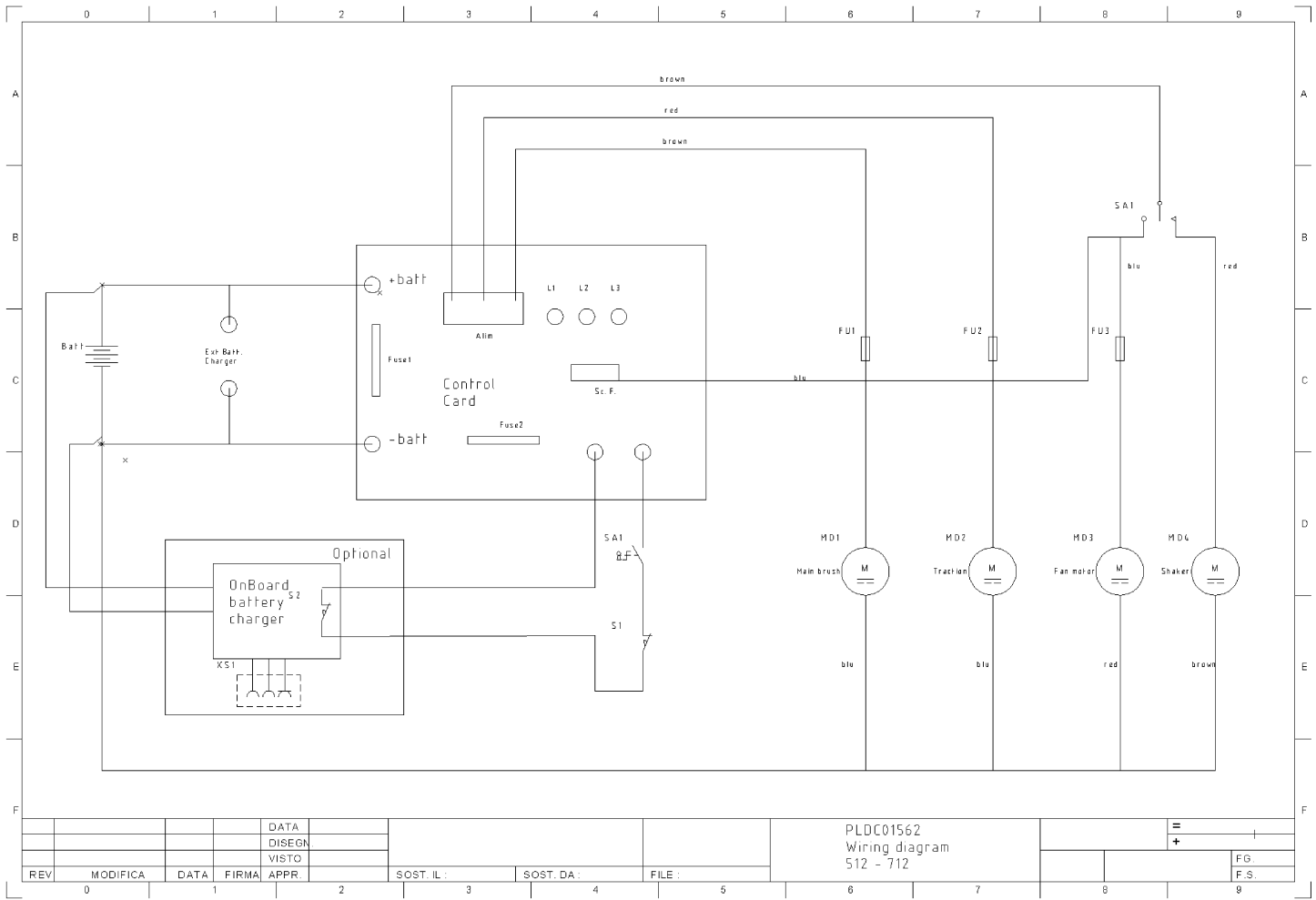
| Ref. K | Part N.   | Customer Part N. | Description                       | Qty   | Validity: |         | Price |
|--------|-----------|------------------|-----------------------------------|-------|-----------|---------|-------|
|        |           |                  |                                   |       | From      | To      |       |
| 0001   | PMVR00383 |                  | HANDLE BLOCCAGGIO FILTRO SILVER   | 2,00  |           |         | --    |
| 0002   | FTDP85298 |                  | FILTER SW 540/541                 | 1,00  |           |         | --    |
| 0003   | KTRI75926 |                  | FOAM KIT                          | 1,00  |           |         | --    |
| 0004   | MPVR05306 |                  | FLAP 512                          | 1,00  |           |         | --    |
| 0005   | KTRI01819 |                  | KIT 512                           | 1,00  | 08/2008   |         | --    |
| 0005   | KTRI86322 |                  | JOINT KIT MOUSSE 30X15 TK2160033  | 1,00  |           | 07/2008 | --    |
| 0006   | MPVR05267 |                  | FLAP 512-712                      | 1,00  |           |         | --    |
| 0007   | LAFN00188 |                  | BUSHING OTTONE BRAC.ALZAFL.SILVER | 2,00  |           |         | --    |
| 0008   | LAFN07365 |                  | BALANCER 512                      | 1,00  |           |         | --    |
| 0009   | MPVR00731 |                  | RUBBER ALZAFLAP SERIE 500         | 1,00  |           |         | --    |
| 0010   | MPVR87400 |                  | RUBBER ALZAFLAP 2160410           | 1,00  |           |         | --    |
| 0011   | LAFN00331 |                  | CLAMP GOMMA ALZAFLAP 500          | 1,00  |           |         | --    |
| 0012   | VTDD00483 |                  | NUT M 8 ZIN UNI 5588              | 2,00  |           |         | --    |
| 0013   | VTVT47025 |                  | SCREW TBEI M 10X 16 ISO 7380 ZB   | 2,00  |           |         | --    |
| 0014   | VTVT01295 |                  | SCREW 3,5X9,5 TS80 UNI 6955 ZB    | 10,00 |           |         | --    |
| 0015   | VTVT75724 |                  | SCREW TBEI M 8X 22 ISO 7380 ZB    | 2,00  |           |         | --    |
| 0016   | VTRS00512 |                  | WASHER D. 8 X24 ZC.               | 2,00  |           |         | --    |
| 0017   | VTVT00040 |                  | SCREW AUTOF.TC UNI6954 3,5X10SP   | 4,00  |           |         | --    |
| 0018   | MPVR05268 |                  | FLAP 512-712                      | 1,00  |           |         | --    |



| Ref. K | Part N.   | Customer Part N. | Description                      | Qty  | Validity: |    | Price |
|--------|-----------|------------------|----------------------------------|------|-----------|----|-------|
|        |           |                  |                                  |      | From      | To |       |
| 0001   | LAFN47139 |                  | MOTOR COVER L.14 FILT.           | 2,00 |           |    | --    |
| 0002   | LAFN47140 |                  | BUSHING L.14                     | 2,00 |           |    | --    |
| 0003   | MFVR47141 |                  | FLANGE MOTOR L.14                | 2,00 |           |    | --    |
| 0004   | MOCC85526 |                  | MOTOR 12V                        | 1,00 |           |    | --    |
| 0005   | MPVR00765 |                  | RUBBER FISSAGGIO FILO SCUOTIFIL. | 1,00 |           |    | --    |
| 0006   | VTDD00008 |                  | NUT UNI 5589 M10 BASSO ZB        | 1,00 |           |    | --    |
| 0007   | ABGO00012 |                  | VIBRATION DAMP.PER SCUOTIFILTRO  | 1,00 |           |    | --    |
| 0008   | LAFN00676 |                  | SUPPORT MOTORE X SCUOTIF.E VERN. | 1,00 |           |    | --    |
| 0009   | LAFN36319 |                  | RING NUT M25X1.5-10.3            | 1,00 |           |    | --    |
| 0010   | MLML85610 |                  | SPRING TK2205017                 | 1,00 |           |    | --    |
| 0011   | GUGO19260 |                  | O-RING D. 8 X 1 NBR 70SH         | 2,00 |           |    | --    |
| 0012   | LAFN00428 |                  | PIN D.15 H.78 A SFERA SCUOT.     | 1,00 |           |    | --    |
| 0013   | VTAE00007 |                  | SEEGER INTERNO DIN 472 D.16      | 1,00 |           |    | --    |
| 0014   | LAFN00417 |                  | ARTICULATED BARTK500/700         | 1,00 |           |    | --    |
| 0015   | VTVT47138 |                  | SCREW TSP-TC 3,9X32 ZC. UNI6955  | 4,00 |           |    | --    |
| 0016   | VTRS05904 |                  | WASHER D. 4 X16 2.083            | 1,00 |           |    | --    |
| 0017   | VTRS05904 |                  | WASHER D. 4 X16 2.083            | 1,00 |           |    | --    |
| 0018   | VTVT75731 |                  | SCREW UNI 5923 6 X5              | 2,00 |           |    | --    |
| 0019   | VTVT76616 |                  | SCREW M 4x18 STEAM GUN           | 6,00 |           |    | --    |



| Ref. | K | Part N.   | Customer Part N. | Description                        | Qty  | Validity: |    | Price |
|------|---|-----------|------------------|------------------------------------|------|-----------|----|-------|
|      |   |           |                  |                                    |      | From      | To |       |
| 0001 |   | LAFN00335 |                  | RING NUT X PERNO GUIDA FRENO STAZ. | 2,00 |           |    | --    |
| 0002 |   | LAFN00460 |                  | PIN BLOCC.RUOTA FRENO STAZ.        | 2,00 |           |    | --    |
| 0003 |   | MLML00012 |                  | SPRING COMPRES.X FRE.STAZ.L.23zb   | 2,00 |           |    | --    |
| 0004 |   | VTAE48552 |                  | CIRCLIP D. 6 UNI 7435              | 2,00 |           |    | --    |
| 0005 |   | LAFN00071 |                  | BUSHING PORTAMOLLA FRENO DI STAZ.  | 2,00 |           |    | --    |
| 0006 |   | LAFN00458 |                  | PIN INNESTO FRENO DI STAZION.      | 2,00 |           |    | --    |
| 0007 |   | LAFN00072 |                  | BLOCK GUIDA PERNO INN.FRENO        | 2,00 |           |    | --    |
| 0008 |   | VTVT00045 |                  | SCREW AUTOF.TC UNI 6954 4,8X16     | 6,00 |           |    | --    |
| 0009 |   | MLML00011 |                  | SPRING COMPRES.X FRE.STAZ.L.46zb   | 2,00 |           |    | --    |
| 0010 |   | LAFN00461 |                  | PIN SPINTA X FRENO STAZION.        | 2,00 |           |    | --    |
| 0011 |   | PMVR00160 |                  | PEDALE FRENO                       | 1,00 |           |    | --    |
| 0012 |   | VTVT00045 |                  | SCREW AUTOF.TC UNI 6954 4,8X16     | 4,00 |           |    | --    |



| Ref. | K | Part N.   | Customer Part N. | Description | Qty  | Validity:<br>From | To | Price |
|------|---|-----------|------------------|-------------|------|-------------------|----|-------|
| FU1  |   | MEVR01136 |                  | FUSE 30A    | 1,00 |                   |    | --    |
| FU2  |   | MEVR01136 |                  | FUSE 30A    | 1,00 |                   |    | --    |
| FU3  |   | MEVR01136 |                  | FUSE 30A    | 1,00 |                   |    | --    |

